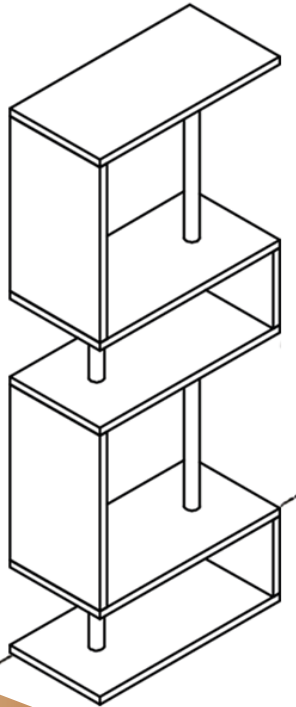




SIENA

TALL BOOKSHELF

ASSEMBLY GUIDE



SCAN ME

www.furniturebox.co.uk

Scan QR code for more tips,
advice and assembly video or visit
furniturebox.co.uk/club/siena-bookshelf

Important - Please read these instructions fully before starting assembly



SAFETY AND CARE ADVICE



NO POWER TOOLS

SAFETY AND CARE ADVICE

- Check you have all the components and tools listed.
- Remove all fittings from the plastic bags and separate them into their groups.
- We do not recommend the use of power drills/drivers for inserting screws, as this could damage the unit. Only use hand screwdrivers and Allen keys.
- Keep children and animals away from the work area, small parts could cause choking if swallowed.
- Make sure you have enough space to layout the parts before starting.
- Assemble the item as close to its final position (in the same room) as possible.
- Do not overtighten the nuts to avoid causing damage to the threads.
- Only clean using a damp cloth and mild detergent, do not use bleach or abrasive cleaners.
- From time to time check that there are no loose screws on this unit
- This product should not be discarded with household waste. Take to your local authority waste disposal centre



Follow us on Instagram
@furniturebox_uk

IMPORTANT INFORMATION

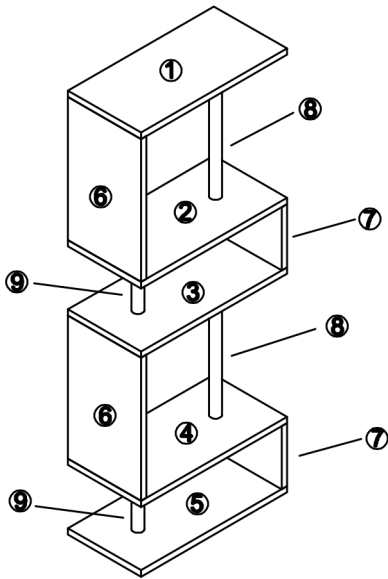


30 MINUTE
BUILD



TWO
PERSON

PLEASE CHECK CAREFULLY AND MAKE SURE YOU HAVE ALL FITTINGS AND TOOLS LISTED BELOW BEFORE YOU START.



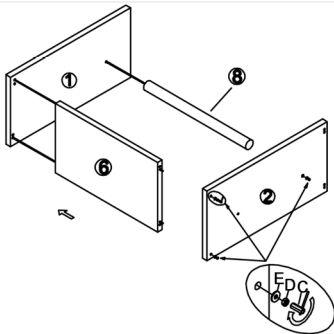
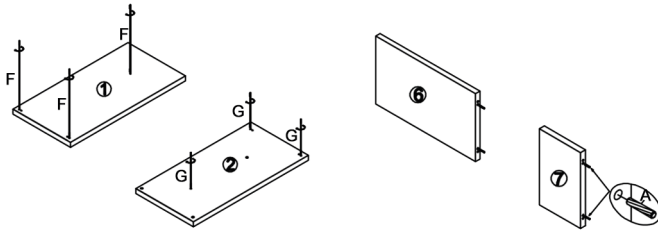
① x1	② x1	③ x1	④ x1
⑤ x1	⑥ x2	⑦ x2	⑧ x2
⑨ x2	A 8x30x16	B Ø35x4	C M8x1
D M8x12	E M8x12	F x8 462mm	G x8 300mm

NOTE: The quantities above are the correct amount to complete the assembly. In some cases more fittings may be supplied than are required.



STEP 1

Put the pieces on a soft flat surface e.g. a carpet to avoid scratching or bumping. Insert the threaded rod (F) into the corresponding hole of the top board (1), insert the wooden dowel (A) into the corresponding hole of the side board (6) and (7). Insert the threaded rod (G) into the corresponding hole of the shelf board (2).



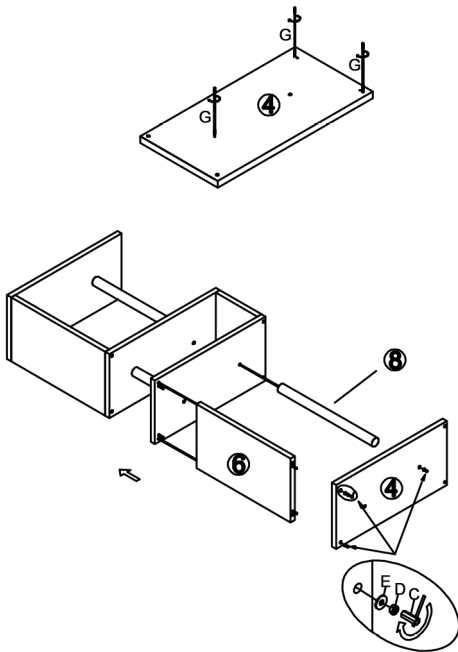
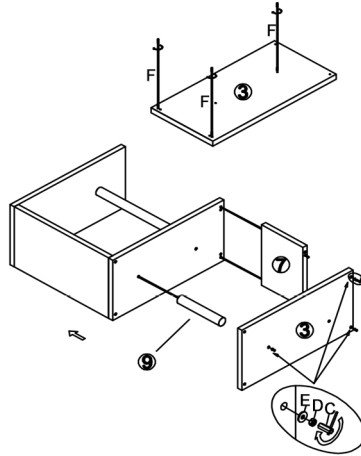
STEP 2

Connect the side board (6) and stainless steel pole (8) with the top board (1), then connect the shelf board (2) use metal washer (E) and screw nut (D), tighten with spanner (C).



STEP 3

Connect the side board (7) and stainless steel pole (9) with shelf board (2), then connect the shelf board (3) with the metal washer (E) and screw nut (D), tighten with spanner (C). Insert the threaded rod (F) in the corresponding hole of shelf board (3).



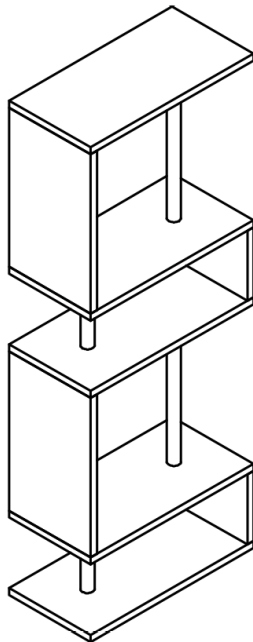
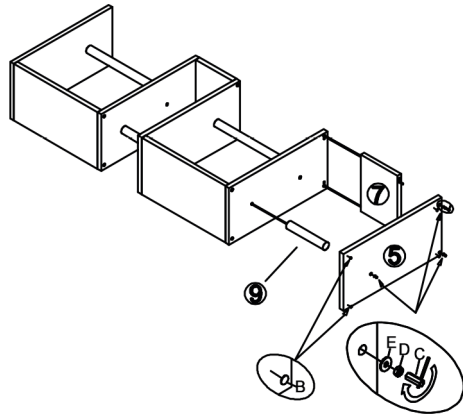
STEP 4

Install side board (6), stainless steel pole (8) and shelf board (4) in turn. Insert the threaded rod (G) into the corresponding hole of shelf board (4).



STEP 1

Install side board (7), stainless steel pole (9) and bottom board (5) in turn. Put the waterproof pad (B) on.

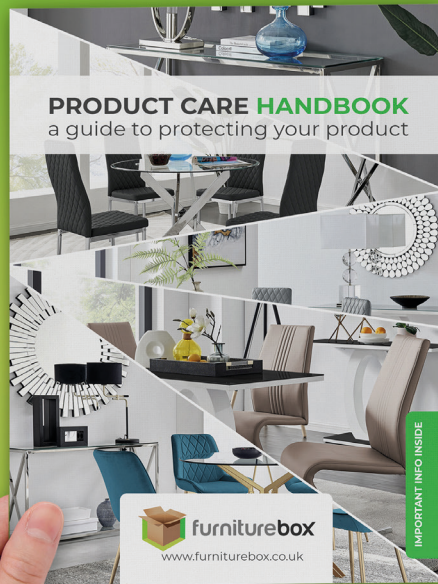


STEP 2

ATTENTION: The Anti Tipping Kit **MUST** be used to connect the shelf to the wall to prevent tipping over. With help, turn the shelf table around to complete the assembly.

LOOKING GOOD!

Now you've assembled your product find out how to care for your item and keep it looking brand new.



Look for your care guide in the box or visit:
www.furniturebox.co.uk/club/care-guide

www.furniturebox.co.uk



OUR 1 YEAR GUARANTEE

our products come with a 1 year guarantee to give you peace of mind shopping at Furniturebox



WHAT THE GUARANTEE COVERS



PRE-INSERTED FIXINGS

e.g. lose metal threads



FAULTY JOINTS

e.g. legs bending



EXTERNAL FIXING FAULTS

e.g. metal discs removing from table top



STRUCTURAL INTEGRITY

e.g. the frame of the product



ACTIVATE YOUR GUARANTEE ONLINE

scan this QR code with your phone to read the full guarantee online and register your product. It only takes a moment to fill out. Or visit: furniturebox.co.uk/our-guarantee

Furniturebox UK, Beaumont Business Centre,
Woodlands Road, Mere, Wiltshire, BA12 6BT
Tel: 01747 863333 Email: sales@furniturebox.co.uk