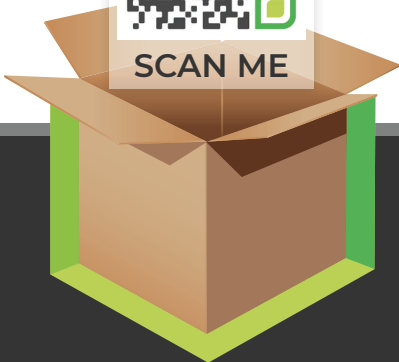
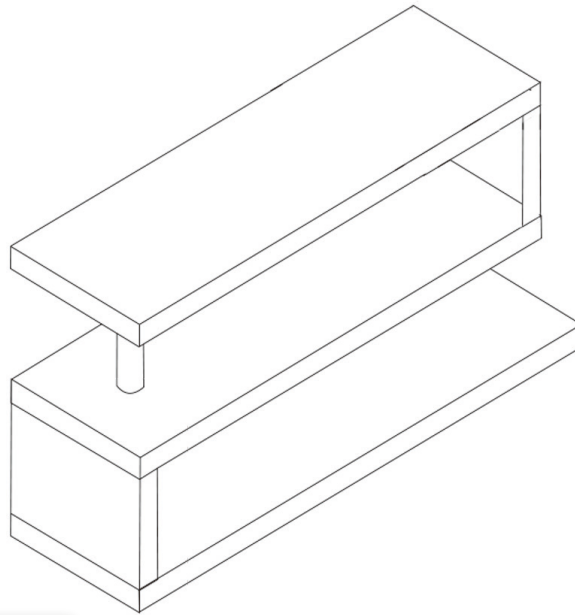




# SIENA CONSOLE

## ASSEMBLY GUIDE



[www.furniturebox.co.uk](http://www.furniturebox.co.uk)

Scan QR code for more tips,  
advice and assembly video or visit  
[furniturebox.co.uk/club/siena-console](http://furniturebox.co.uk/club/siena-console)

**Important - Please read these instructions fully before starting assembly**



**SAFETY AND  
CARE ADVICE**



**NO POWER TOOLS**

**SAFETY AND CARE ADVICE**

- Check you have all the components and tools listed.
- Remove all fittings from the plastic bags and separate them into their groups.
- We do not recommend the use of power drills/drivers for inserting screws, as this could damage the unit. Only use hand screwdrivers and Allen keys.
- Keep children and animals away from the work area, small parts could cause choking if swallowed.
- Make sure you have enough space to layout the parts before starting.
- Assemble the item as close to its final position (in the same room) as possible.
- Do not overtighten the nuts to avoid causing damage to the threads.
- Only clean using a damp cloth and mild detergent, do not use bleach or abrasive cleaners.
- From time to time check that there are no loose screws on this unit
- This product should not be discarded with household waste. Take to your local authority waste disposal centre



Follow us on Instagram  
[@furniturebox\\_uk](https://www.instagram.com/furniturebox_uk)

## IMPORTANT INFORMATION



30 MINUTE  
BUILD



ONE  
PERSON

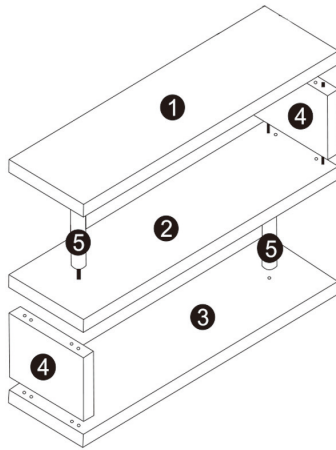


MAXIMUM  
CAPACITY 80Kg



IMPORTANT  
STEP

PLEASE CHECK CAREFULLY AND MAKE SURE YOU HAVE ALL FITTINGS AND TOOLS LISTED BELOW BEFORE YOU START.



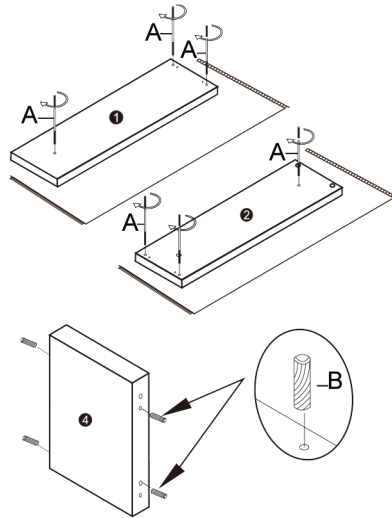
①  x1	②  x1	③  x1	④  x2	⑤  x2
A  320mmX6	B  8x40x8	C  M8x6	D  M8x22x6	E  M8x1
F  Ø35 x4	G  Ø30x8			

**NOTE:** The quantities above are the correct amount to complete the assembly.  
In some cases more fittings may be supplied than are required.

## STEP 1

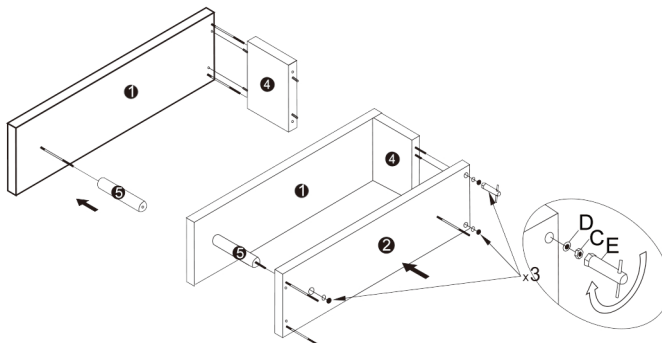
Put the pieces on a soft flat surface e.g. a carpet to avoid scratching or bumping. Install the threaded rods (A) into the corresponding holes on the top board (1) and the side-shelf board (2). Then install the wooden dowels (B) in the corresponding holes on side-support board (4).

**ATTENTION:** Be careful not to over-screw beyond the thread stops.



## STEP 2

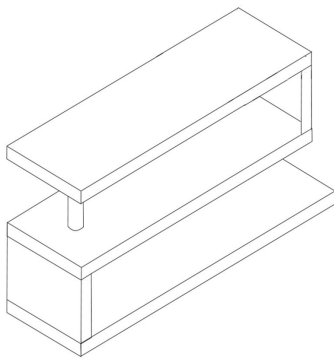
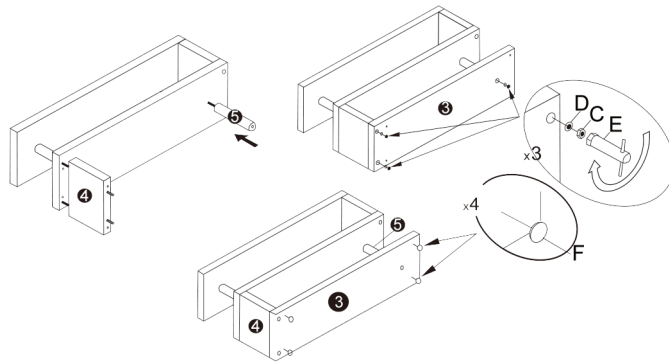
Assemble the side-support board (4), stainless steel pole (5) and the top board (G) together as shown. Then assemble the side-shelf board (4). Screw in and fix these pieces together using the spanner (E) provided, locking in place with nut (C) and metalwasher (D)



Follow us on Instagram  
@furniturebox\_uk

### STEP 3

Using the same method as Step 2, assemble the bottom board (3), side-support board (4) and stainless steel pole (5) together. Add on the stick on the waterproof rubber washer (F) to the bottom of board (3).



### STEP 4

**ATTENTION:** With help, turn console around to complete assembly.



## WE **L**♥**VE** INTERIORS! SHARE YOURS WITH US ON SOCIAL MEDIA

1. follow us on Instagram
2. post your interior
3. tag us to be featured



@furnitureboxUK



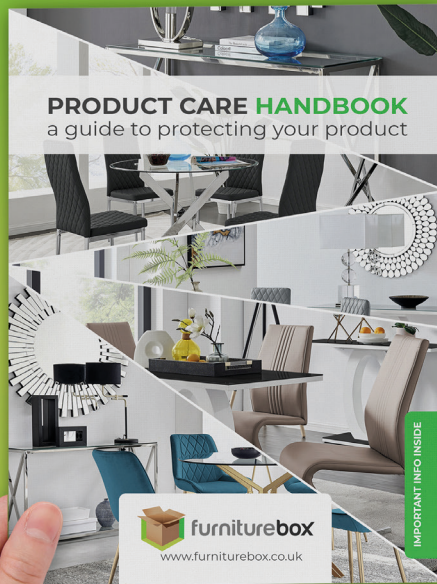
@furniturebox\_uk



@furnitureboxuk

# LOOKING GOOD!

Now you've assembled your product find out how to care for your item and keep it looking brand new.



Look for your care guide in the box or visit:  
[www.furniturebox.co.uk/club/care-guide](http://www.furniturebox.co.uk/club/care-guide)

[www.furniturebox.co.uk](http://www.furniturebox.co.uk)



## OUR 1 YEAR GUARANTEE

our products come with a 1 year guarantee to give you peace of mind shopping at Furniturebox



## WHAT THE GUARANTEE COVERS



**PRE-INSERTED FIXINGS**  
e.g. lose metal threads



**FAULTY JOINTS**  
e.g. legs bending



**EXTERNAL FIXING FAULTS**  
e.g. metal discs removing from table top



**STRUCTURAL INTEGRITY**  
e.g. the frame of the product



### ACTIVATE YOUR GUARANTEE ONLINE

scan this QR code with your phone to read the full guarantee online and register your product. It only takes a moment to fill out. Or visit: [furniturebox.co.uk/our-guarantee](https://furniturebox.co.uk/our-guarantee)

Furniturebox UK, Beaumont Business Centre,  
Woodlands Road, Mere, Wiltshire, BA12 6BT  
Tel: 01747 863333 Email: [sales@furniturebox.co.uk](mailto:sales@furniturebox.co.uk)