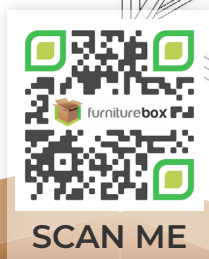
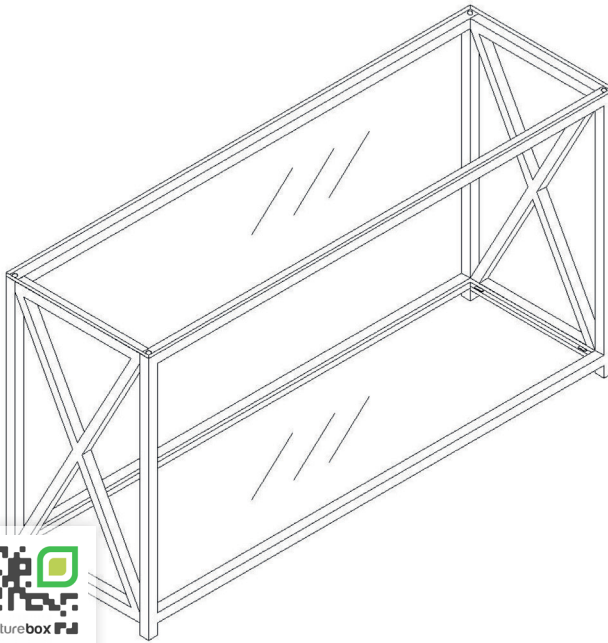


# REGENT CONSOLE TABLE

## ASSEMBLY GUIDE



[www.furniturebox.co.uk](http://www.furniturebox.co.uk)

Scan QR code for more tips,  
advice and assembly video or visit  
[furniturebox.co.uk/club/regent-console](http://furniturebox.co.uk/club/regent-console)



furniturebox

**Important - Please read these instructions fully before starting assembly**



**SAFETY AND  
CARE ADVICE**



**NO POWER TOOLS**

## **SAFETY AND CARE ADVICE**

- Check you have all the components and tools listed.
- Remove all fittings from the plastic bags and separate them into their groups.
- We do not recommend the use of power drills/drivers for inserting screws, as this could damage the unit. Only use hand screwdrivers and Allen keys.
- Keep children and animals away from the work area, small parts could cause choking if swallowed.
- Make sure you have enough space to layout the parts before starting.
- Assemble the item as close to its final position (in the same room) as possible.
- Do not overtighten the nuts to avoid causing damage to the threads.
- Only clean using a damp cloth and mild detergent, do not use bleach or abrasive cleaners.
- From time to time check that there are no loose screws on this unit
- This product should not be discarded with household waste. Take to your local authority waste disposal centre



**Follow us on Instagram**  
**@furniturebox\_uk**

# IMPORTANT INFORMATION



30 MINUTE  
BUILD



TWO  
PERSON

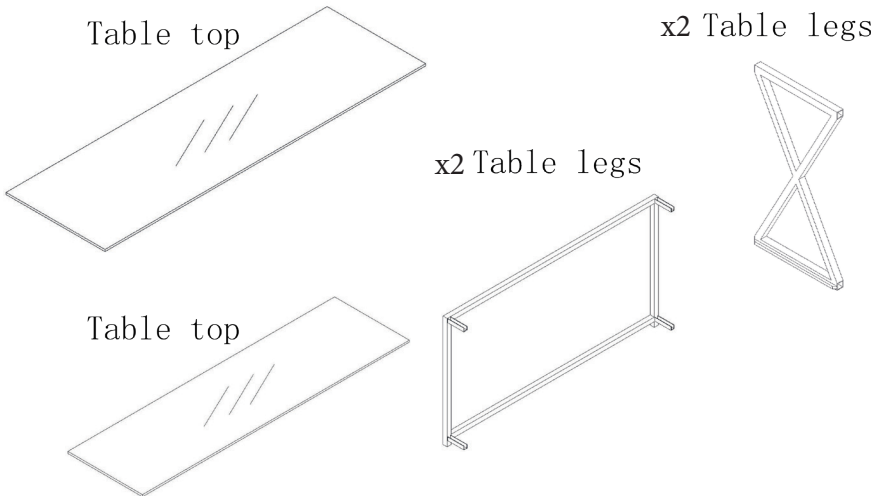







GLASS



MAXIMUM  
CAPACITY 100Kg

PLEASE CHECK CAREFULLY AND MAKE SURE YOU HAVE ALL FITTINGS AND TOOLS LISTED BELOW BEFORE YOU START.



<p>Ⓐ</p>  <p>M6x16mm Washers X16</p>	<p>Ⓑ</p>  <p>M6X16mm Rod X16</p>	<p>Ⓒ</p>  <p>M5 Spanner X16</p>	<p>Ⓓ</p>  <p>X1 Glass is stuck</p>	<p>Ⓔ</p>  <p>X4 Glass is stuck X4</p>
---	---	--	---	--

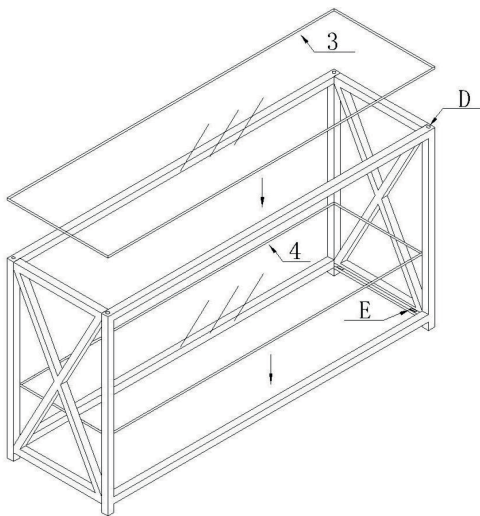
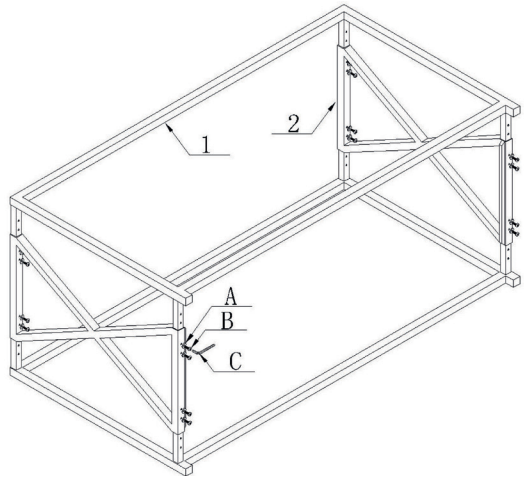
**NOTE:** The quantities above are the correct amount to complete the assembly. In some cases more fittings may be supplied than are required.

## STEP 1

Use a clear, flat, soft surface to avoid bumps or scratches.

Connect the 2 x rectangular frames [1] to the 2 x X-shaped end frames [2] by carefully aligning and slotting the upright bars of the rectangular frames into the hollow tubes on the X-frames.

Secure using 2 x washer [A] followed by 2 x screw [B] at the top and bottom of each upright on the frame. Tighten using Allen key [C].



## STEP 2

Flip coffee table frame right way up, onto its feet.

Add 4 x non-slip pads [D] to the top edge of the table frame.

Add 4 x non-slip pads [E] to the inner lip/edge of the bottom frame (check the illustration for location)

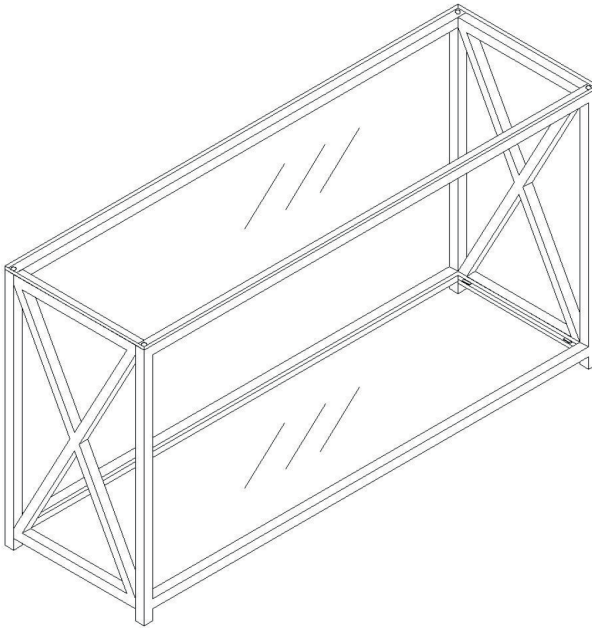
**ATTENTION:** Then, carefully and with help, lower glass top shelf [3] onto the top of the table and lower bottom shelf [4] onto the inner ledge of bottom frame.





### STEP 3

Check stability. Your console table is now ready to use.





WE **L**♥**VE** INTERIORS! SHARE YOURS WITH US ON SOCIAL MEDIA

1. follow us on Instagram
2. post your interior
3. tag us to be featured



@furnitureboxUK



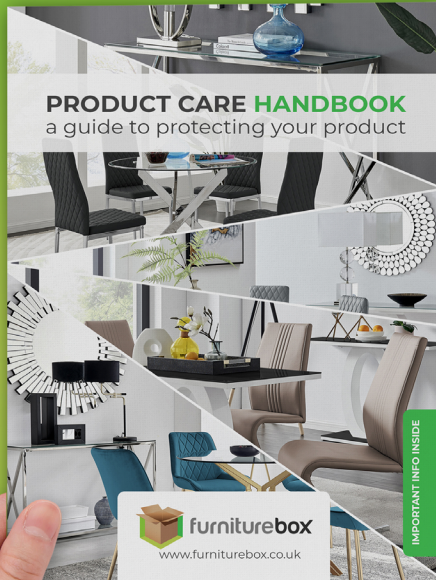
@furniturebox\_uk



@furnitureboxuk

# LOOKING GOOD!

Now you've assembled your product find out how to care for your item and keep it looking brand new.



Look for your care guide in the box or visit:  
[www.furniturebox.co.uk/club/care-guide](http://www.furniturebox.co.uk/club/care-guide)



## OUR 1 YEAR GUARANTEE

our products come with a 1 year guarantee to give you peace of mind shopping at Furniturebox



## WHAT THE GUARANTEE COVERS



### PRE-INSERTED FIXINGS

e.g. lose metal threads



### FAULTY JOINTS

e.g. legs bending



### EXTERNAL FIXING FAULTS

e.g. metal discs removing from table top



### STRUCTURAL INTEGRITY

e.g. the frame of the product



## ACTIVATE YOUR GUARANTEE ONLINE

scan this QR code with your phone to read the full guarantee online and register your product. It only takes a moment to fill out. Or visit: [furniturebox.co.uk/our-guarantee](https://furniturebox.co.uk/our-guarantee)

Furniturebox UK, Beaumont Business Centre,  
Woodlands Road, Mere, Wiltshire, BA12 6BT  
Tel: 01747 863333 Email: [sales@furniturebox.co.uk](mailto:sales@furniturebox.co.uk)