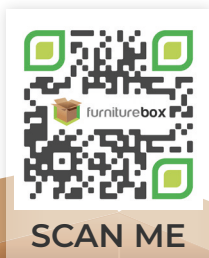
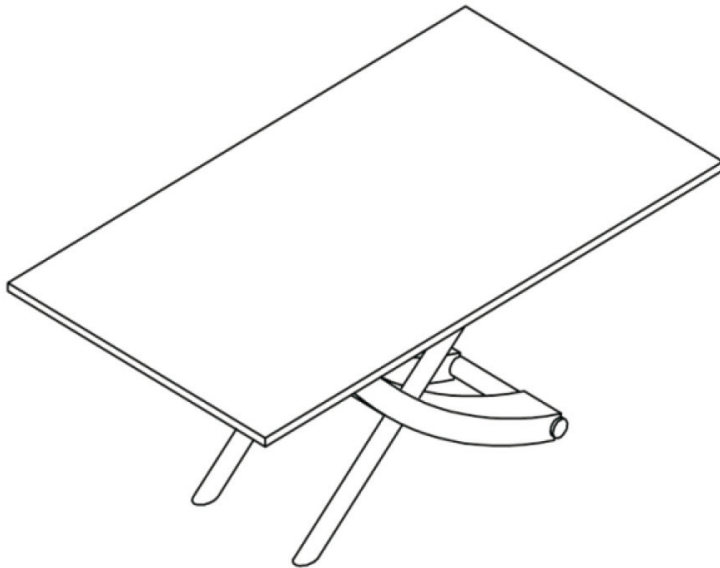




# MAYFAIR TABLE

## ASSEMBLY GUIDE



[www.furniturebox.co.uk](http://www.furniturebox.co.uk)

Scan QR code for more tips,  
advice and assembly video or visit  
[furniturebox.co.uk/club/mayfair](http://furniturebox.co.uk/club/mayfair)

**Important - Please read these instructions fully before starting assembly**



**SAFETY AND  
CARE ADVICE**



**NO POWER TOOLS**

### **SAFETY AND CARE ADVICE**

- Check you have all the components and tools listed.
- Remove all fittings from the plastic bags and separate them into their groups.
- We do not recommend the use of power drills/drivers for inserting screws, as this could damage the unit. Only use hand screwdrivers and Allen keys.
- Keep children and animals away from the work area, small parts could cause choking if swallowed.
- Make sure you have enough space to layout the parts before starting.
- Assemble the item as close to its final position (in the same room) as possible.
- Do not overtighten the nuts to avoid causing damage to the threads.
- Only clean using a damp cloth and mild detergent, do not use bleach or abrasive cleaners.
- From time to time check that there are no loose screws on this unit
- This product should not be discarded with household waste. Take to your local authority waste disposal centre



**Follow us on Instagram**  
**@furniturebox\_uk**

## IMPORTANT INFORMATION



45 MINUTE  
BUILD

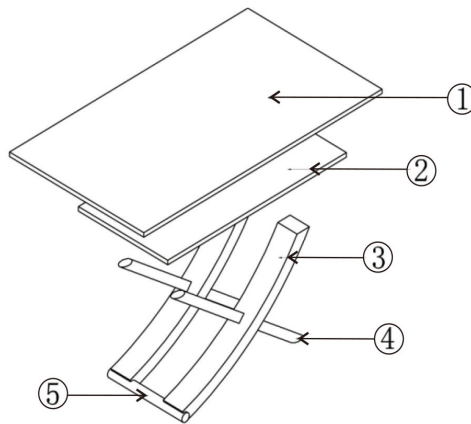


TWO  
PERSON



MAXIMUM  
CAPACITY 100Kg

PLEASE CHECK CAREFULLY AND MAKE SURE YOU HAVE ALL FITTINGS AND TOOLS LISTED BELOW BEFORE YOU START.

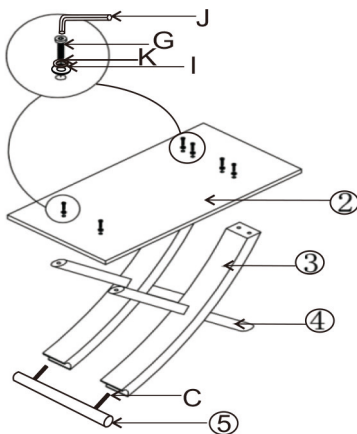
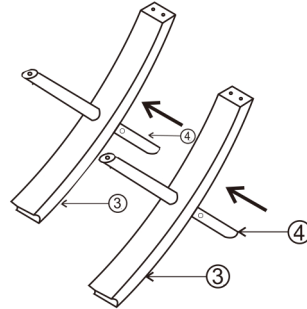


|               |                |               |            |
|---------------|----------------|---------------|------------|
| ①*1           | ②*1            | ③*2           | ④*2        |
| ⑤*1           |                |               |            |
| A *2          | E *1           | I*12<br>M8x22 | M*4<br>Ø30 |
| B *2          | F *4<br>M8x20  | J*1           | N*2<br>Ø54 |
| C *2<br>M8x90 | G *10<br>M8x30 | K*16          |            |
| D *2          | H *4<br>M8x18  | L*2           |            |

**NOTE:** The quantities above are the correct amount to complete the assembly. In some cases more fittings may be supplied than are required.

## STEP 1

Put the pieces on a soft flat surface e.g. a carpet to avoid scratching or bumping. Insert part 4 (Stainless Steel poles) into the assembly holes of part 3 (the high gloss legs). Keep the direction of the parts as shown.



## STEP 2

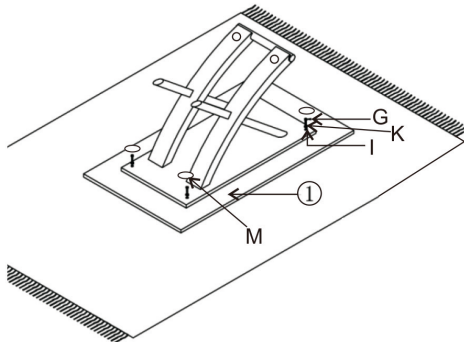
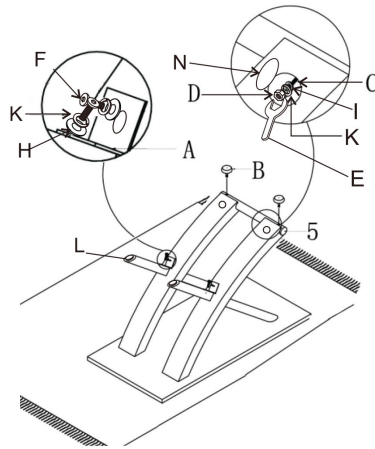
Using the (part J) allen key tighten the bolt (part G) and washer (part I), (part K) onto the table connecting board (part 2) as shown. Please note 2 of these bolts/washers will attach onto the stainless steel poles as shown on the table legs. Install 2 x part C onto piece 5 and add to the table frame.

### STEP 3

Fix part F and part A as shown to ensure the stability of the table.

### STEP 4

Connect part 5 to the bottom of the table legs as shown using part E, I, K and D. Insert the table feet (part B) as shown. Please note the height of the table can be adjusted using these feet.



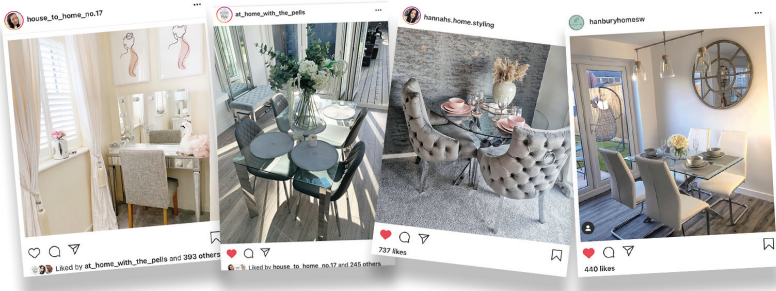
### STEP 5

Attach the connecting board (part 2) to the table top (part 1) using bolts (part G) and washers (part I).

### STEP 6

**ATTENTION:** Using two people turn the table over and assembly is complete





## WE **L**♥**VE** INTERIORS! SHARE YOURS WITH US ON SOCIAL MEDIA

1. follow us on Instagram
2. post your interior
3. tag us to be featured



@furnitureboxUK



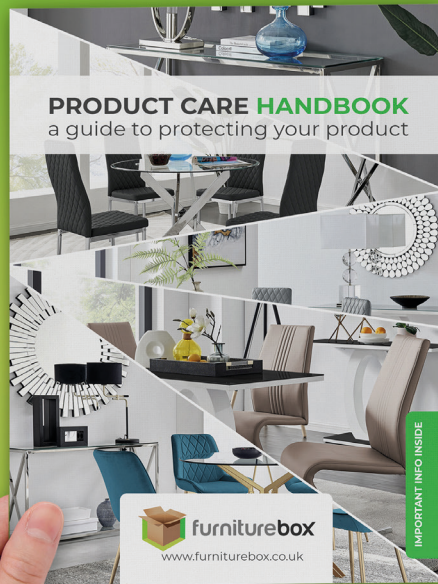
@furniturebox\_uk



@furnitureboxuk

# LOOKING GOOD!

Now you've assembled your product find out how to care for your item and keep it looking brand new.



Look for your care guide in the box or visit:  
[www.furniturebox.co.uk/club/care-guide](http://www.furniturebox.co.uk/club/care-guide)

[www.furniturebox.co.uk](http://www.furniturebox.co.uk)



## OUR 1 YEAR GUARANTEE

our products come with a 1 year guarantee to give you peace of mind shopping at Furniturebox



## WHAT THE GUARANTEE COVERS



**PRE-INSERTED FIXINGS**  
e.g. lose metal threads



**FAULTY JOINTS**  
e.g. legs bending



**EXTERNAL FIXING FAULTS**  
e.g. metal discs removing from table top



**STRUCTURAL INTEGRITY**  
e.g. the frame of the product



### ACTIVATE YOUR GUARANTEE ONLINE

scan this QR code with your phone to read the full guarantee online and register your product. It only takes a moment to fill out. Or visit: [furniturebox.co.uk/our-guarantee](https://furniturebox.co.uk/our-guarantee)

Furniturebox UK, Beaumont Business Centre,  
Woodlands Road, Mere, Wiltshire, BA12 6BT  
Tel: 01747 863333 Email: [sales@furniturebox.co.uk](mailto:sales@furniturebox.co.uk)