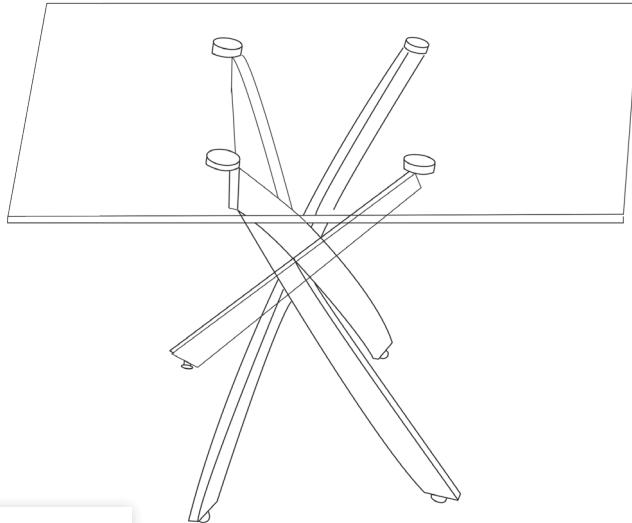




# LEONARDO COFFEE TABLE

## ASSEMBLY GUIDE



[www.furniturebox.co.uk](http://www.furniturebox.co.uk)

Scan QR code for more tips,  
advice and assembly video or visit  
[furniturebox.co.uk/club/leonardo-coffee](http://furniturebox.co.uk/club/leonardo-coffee)

**Important - Please read these instructions fully before starting assembly**



**SAFETY AND  
CARE ADVICE**



**NO POWER TOOLS**

### **SAFETY AND CARE ADVICE**

- Check you have all the components and tools listed.
- Remove all fittings from the plastic bags and separate them into their groups.
- We do not recommend the use of power drills/drivers for inserting screws, as this could damage the unit. Only use hand screwdrivers and Allen keys.
- Keep children and animals away from the work area, small parts could cause choking if swallowed.
- Make sure you have enough space to layout the parts before starting.
- Assemble the item as close to its final position (in the same room) as possible.
- Do not overtighten the nuts to avoid causing damage to the threads.
- Only clean using a damp cloth and mild detergent, do not use bleach or abrasive cleaners.
- From time to time check that there are no loose screws on this unit
- This product should not be discarded with household waste. Take to your local authority waste disposal centre



**Follow us on Instagram**  
**@furniturebox\_uk**

## IMPORTANT INFORMATION



45 MINUTE  
BUILD



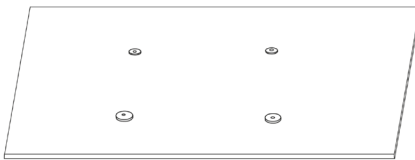
TWO  
PERSON



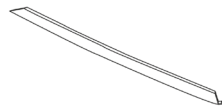
MAXIMUM  
CAPACITY 100Kg

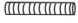







PLEASE CHECK CAREFULLY AND MAKE SURE YOU HAVE ALL FITTINGS AND TOOLS LISTED BELOW BEFORE YOU START.

1 x 1 TableTop



2 x 4 TableLegs

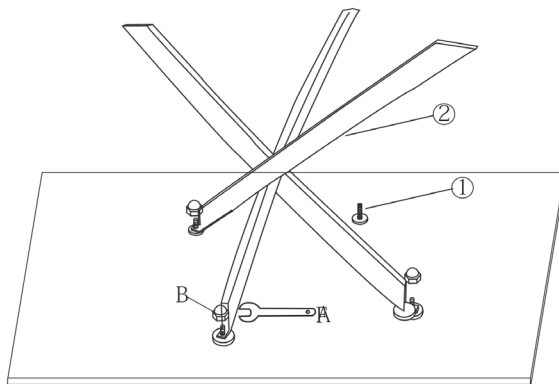
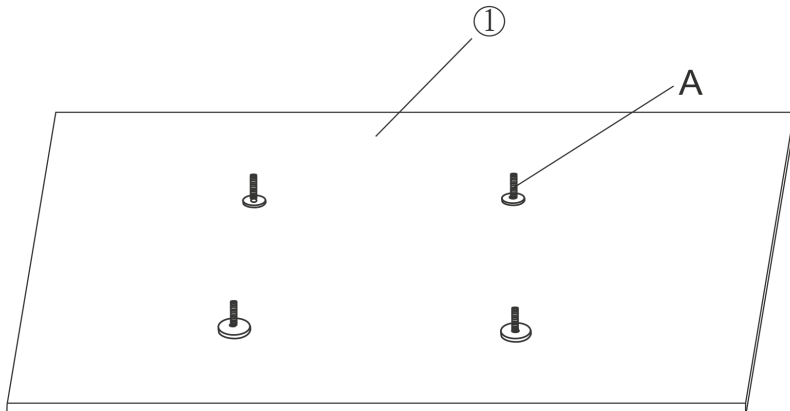


<p>A</p>  <p>Rod 8x15mm x4</p>	<p>B</p>  <p>Nuts M8 x4</p>	<p>C</p>  <p>TableFeet x4</p>
<p>D</p>  <p>Washers <math>\varnothing</math> 8x18mm x4</p>	<p>E</p>  <p>Screws 8x12mm x4</p>	<p>F</p>  <p>Wrench M8 x1</p>
<p>G</p>  <p>Allenkey M5 x1</p>	<p>H</p>  <p>ConnectingPiece x1</p>	

**NOTE:** The quantities above are the correct amount to complete the assembly. In some cases more fittings may be supplied than are required.

## STEP 1

Use a clear, flat, soft surface to avoid bumps or scratches. Place the table top [1] on the floor with the metal discs facing up. Screw 4 x rods [A] in to the metal discs.



## STEP 2

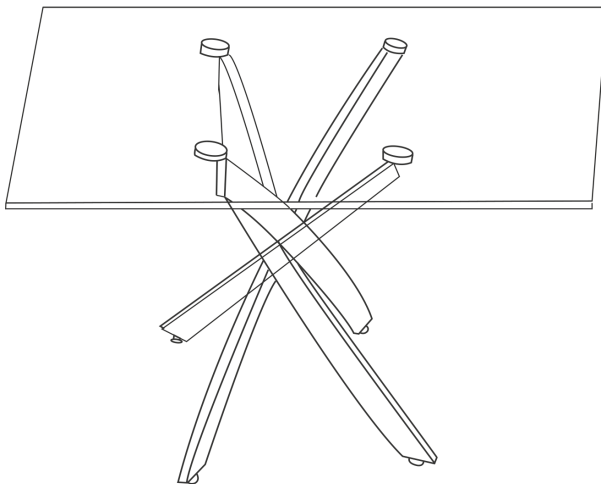
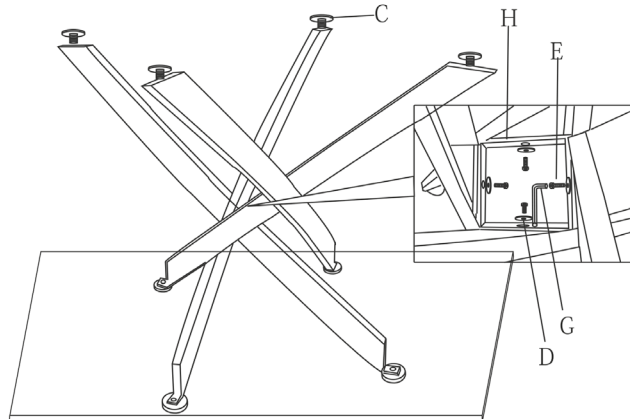
Place the table legs [2] over the rods on to the metal discs. Use 4 x nuts [B] to secure table legs to table top. Repeat for all 4 table legs. **Do not fully tighten yet as you will need some manoeuvrability.**



Follow us on Instagram  
@furniturebox\_uk

### STEP 3

Add feet [C] to bottoms of table legs.  
 Connect all four legs together in the middle using the connecting piece [H], washers [D] screws [E]. Tighten with Allen key [G].  
 Once connecting piece [H] is secured, you can then tighten all the table legs to the table top with wrench [F].



### STEP 4

**ATTENTION:** Carefully, and with help, turn your completed side table over so it's now the correct way up. Ensure stability.



## WE **L**♥**VE** INTERIORS! SHARE YOURS WITH US ON SOCIAL MEDIA

1. follow us on Instagram
2. post your interior
3. tag us to be featured



@furnitureboxUK



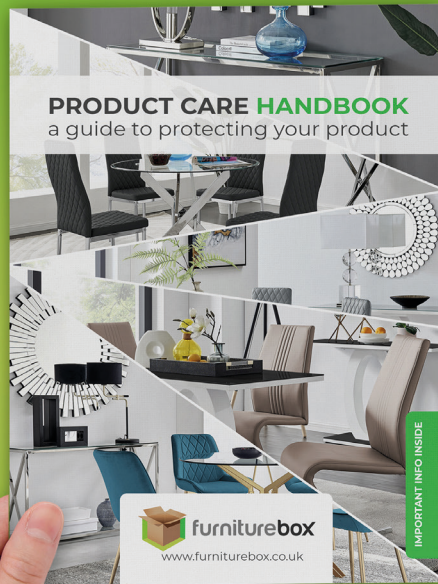
@furniturebox\_uk



@furnitureboxuk

# LOOKING GOOD!

Now you've assembled your product find out how to care for your item and keep it looking brand new.



Look for your care guide in the box or visit:  
[www.furniturebox.co.uk/club/care-guide](http://www.furniturebox.co.uk/club/care-guide)

[www.furniturebox.co.uk](http://www.furniturebox.co.uk)



## OUR 1 YEAR GUARANTEE

our products come with a 1 year guarantee to give you peace of mind shopping at Furniturebox



## WHAT THE GUARANTEE COVERS



### PRE-INSERTED FIXINGS

e.g. lose metal threads



### FAULTY JOINTS

e.g. legs bending



### EXTERNAL FIXING FAULTS

e.g. metal discs removing from table top



### STRUCTURAL INTEGRITY

e.g. the frame of the product



## ACTIVATE YOUR GUARANTEE ONLINE

scan this QR code with your phone to read the full guarantee online and register your product. It only takes a moment to fill out. Or visit: [furniturebox.co.uk/our-guarantee](https://furniturebox.co.uk/our-guarantee)

Furniturebox UK, Beaumont Business Centre,  
Woodlands Road, Mere, Wiltshire, BA12 6BT  
Tel: 01747 863333 Email: [sales@furniturebox.co.uk](mailto:sales@furniturebox.co.uk)