



AZURE SINGLE

ASSEMBLY GUIDE



www.furniturebox.co.uk

Scan QR code for more tips,
advice and assembly video or visit
furniturebox.co.uk/club/azure-single

Important - Please read these instructions fully before starting assembly



**SAFETY AND
CARE ADVICE**



NO POWER TOOLS

SAFETY AND CARE ADVICE

- Check you have all the components and tools listed.
- Remove all fittings from the plastic bags and separate them into their groups.
- We do not recommend the use of power drills/drivers for inserting screws, as this could damage the unit. Only use hand screwdrivers and Allen keys.
- Keep children and animals away from the work area, small parts could cause choking if swallowed.
- Make sure you have enough space to layout the parts before starting.
- Assemble the item as close to its final position (in the same room) as possible.
- Do not overtighten the nuts to avoid causing damage to the threads.
- Only clean using a damp cloth and mild detergent, do not use bleach or abrasive cleaners.
- From time to time check that there are no loose screws on this unit
- This product should not be discarded with household waste. Take to your local authority waste disposal centre



Follow us on Instagram
@furniturebox_uk

IMPORTANT INFORMATION



45 MINUTE
BUILD

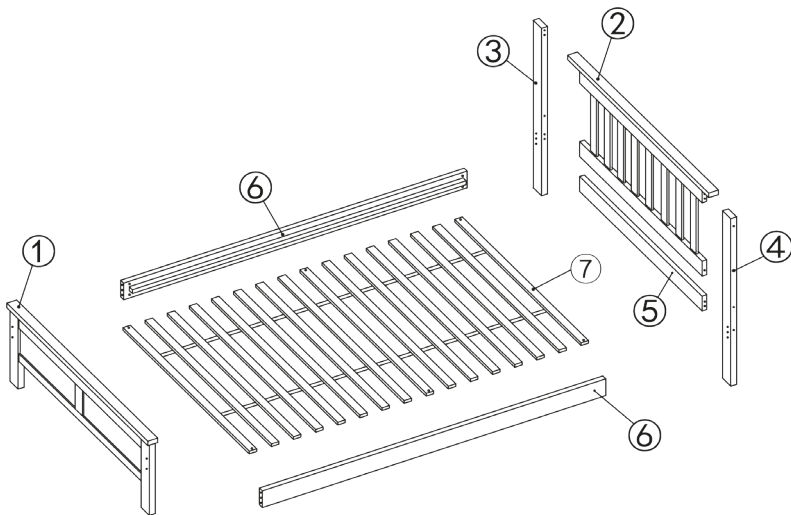







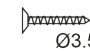
TWO
PERSON







MAXIMUM
CAPACITY 200Kg

PLEASE CHECK CAREFULLY AND MAKE SURE YOU HAVE ALL FITTINGS AND TOOLS LISTED BELOW BEFORE YOU START.



| | | |
|---|--|----|
| A |   M6X70mm | 08 |
| B |  | 14 |
| C |  Ø8X30mm | 08 |
| D |   Ø3.5X25mm | 06 |

| | | |
|---|---|----|
| F |  | 01 |
| G |   M6X105mm | 06 |
| H |  Stopples | 14 |

NOTE: The quantities above are the correct amount to complete the assembly. In some cases more fittings may be supplied than are required.

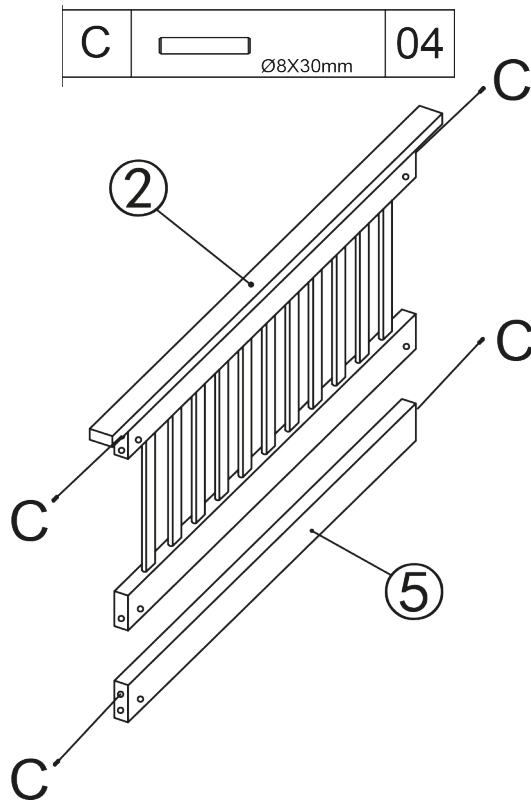


STEP 1

Use a clear, flat, soft surface to avoid bumps or scratches.

Construct the headboard first.

Take headboard piece [2] and support piece [5] and insert 4 x wooden dowels [C] as indicated in diagram.

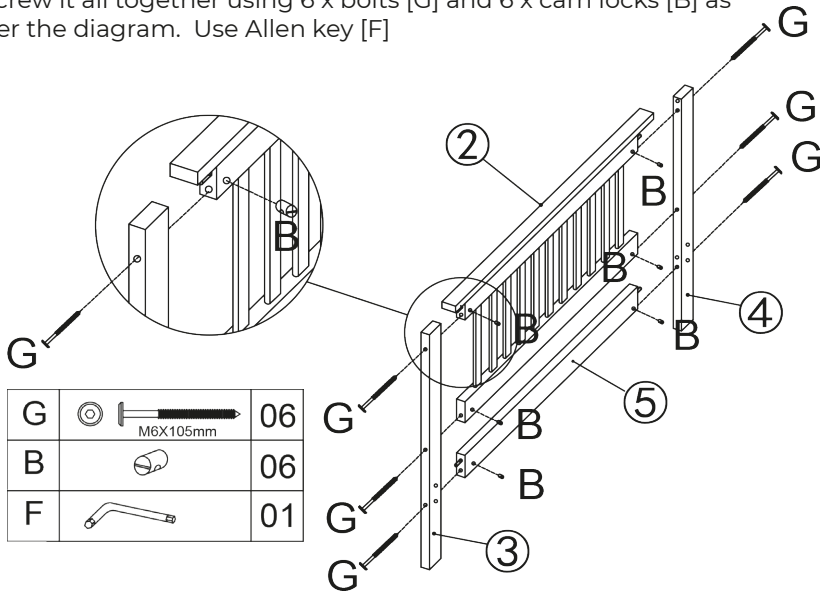


STEP 2

Next, attach side pieces to headboard.

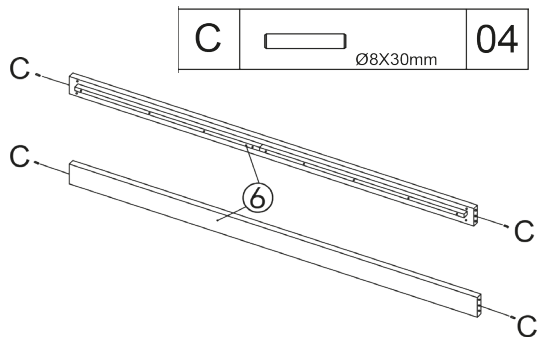
Take side supports [3] and [4] and slot onto dowels in headboard [2] and support piece [5].

Screw it all together using 6 x bolts [G] and 6 x cam locks [B] as per the diagram. Use Allen key [F]



STEP 3

Take 2 x side pieces [6] and add 4 x dowels [C] into the ends as per diagram - 1 dowel either end of each side piece.

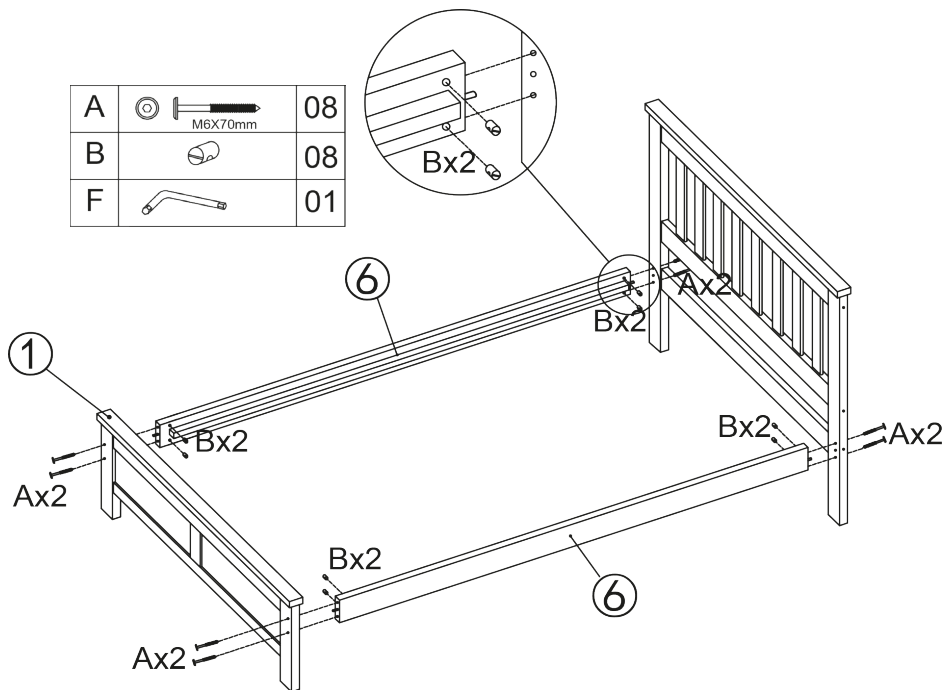


STEP 4

Construct bed frame.

Align headboard [2], footboard [1] and side pieces [6] - get all the pieces into correct position before screwing anything together.

Connect side pieces to headboard and footboard with 8 x bolts [A] and 8 x cam locks [B] - 2 at each end, on both sides.



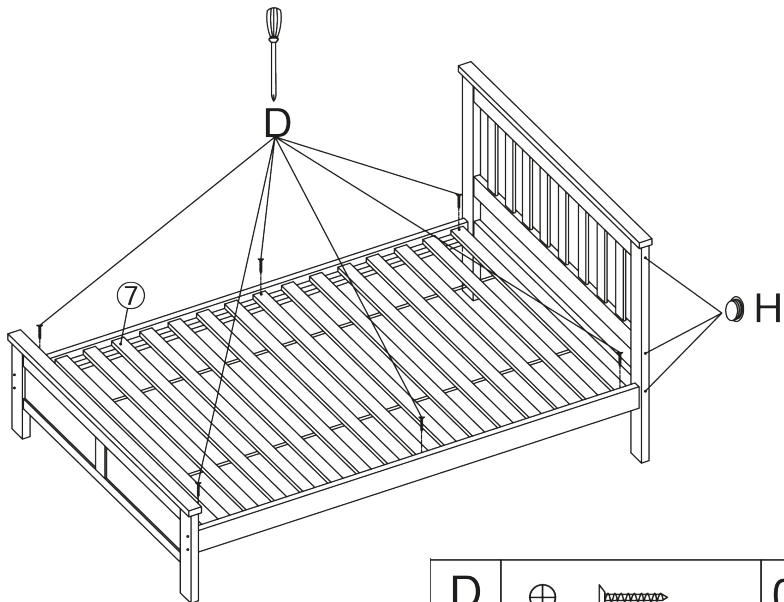
Follow us on Instagram
@furniturebox_uk


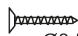

STEP 5

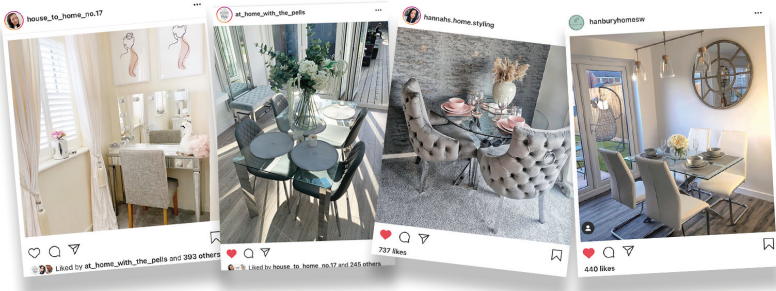
Place slats runner [7] onto frame as per diagram.
Screw slats into place using 6 x screw [D]

Finally, cover all exposed holes on outside of frame with stoppers [H] - x 4 in total.

ATTENTION: Should you need to move the bedframe after assembly, carefully lift and re-position it with the help of at least one other person. Do not attempt to drag the frame, or you could risk damaging the structure.



| | | | |
|---|---|--|----|
| D |  |  Ø3.5X25mm | 06 |
| H |  | Stoppers | 14 |



WE **L**♥**VE** INTERIORS! SHARE YOURS WITH US ON SOCIAL MEDIA

1. follow us on Instagram
2. post your interior
3. tag us to be featured



@furnitureboxUK



@furniturebox_uk



@furnitureboxuk

LOOKING GOOD!

Now you've assembled your product find out how to care for your item and keep it looking brand new.



Look for your care guide in the box or visit:
www.furniturebox.co.uk/club/care-guide

www.furniturebox.co.uk



OUR 1 YEAR GUARANTEE

our products come with a 1 year guarantee to give you peace of mind shopping at Furniturebox



WHAT THE GUARANTEE COVERS



PRE-INSERTED FIXINGS

e.g. lose metal threads



FAULTY JOINTS

e.g. legs bending



EXTERNAL FIXING FAULTS

e.g. metal discs removing from table top



STRUCTURAL INTEGRITY

e.g. the frame of the product



ACTIVATE YOUR GUARANTEE ONLINE

scan this QR code with your phone to read the full guarantee online and register your product. It only takes a moment to fill out. Or visit: furniturebox.co.uk/our-guarantee

Furniturebox UK, Beaumont Business Centre,
Woodlands Road, Mere, Wiltshire, BA12 6BT
Tel: 01747 863333 Email: sales@furniturebox.co.uk