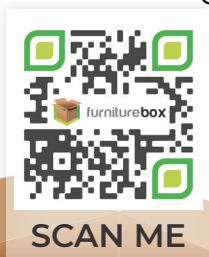
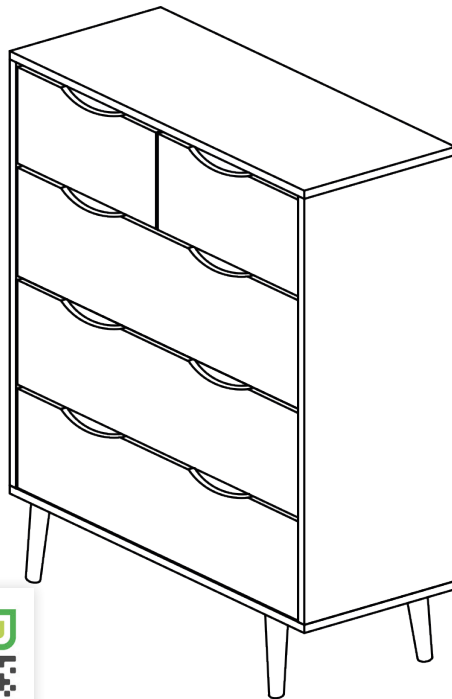




ALMA

LARGE CHEST OF DRAWERS

ASSEMBLY GUIDE



www.furniturebox.co.uk

Scan QR code for more tips,
advice and assembly video or visit
furniturebox.co.uk/club/alma-large-chest

Important - Please read these instructions fully before starting assembly



SAFETY AND CARE ADVICE



NO POWER TOOLS

SAFETY AND CARE ADVICE

- Check you have all the components and tools listed.
- Remove all fittings from the plastic bags and separate them into their groups.
- We do not recommend the use of power drills/drivers for inserting screws, as this could damage the unit. Only use hand screwdrivers and Allen keys.
- Keep children and animals away from the work area, small parts could cause choking if swallowed.
- Make sure you have enough space to layout the parts before starting.
- Assemble the item as close to its final position (in the same room) as possible.
- Do not overtighten the nuts to avoid causing damage to the threads.
- Only clean using a damp cloth and mild detergent, do not use bleach or abrasive cleaners.
- From time to time check that there are no loose screws on this unit
- This product should not be discarded with household waste. Take to your local authority waste disposal centre



Follow us on Instagram
@furniturebox_uk

IMPORTANT INFORMATION



45 MINUTE
BUILD

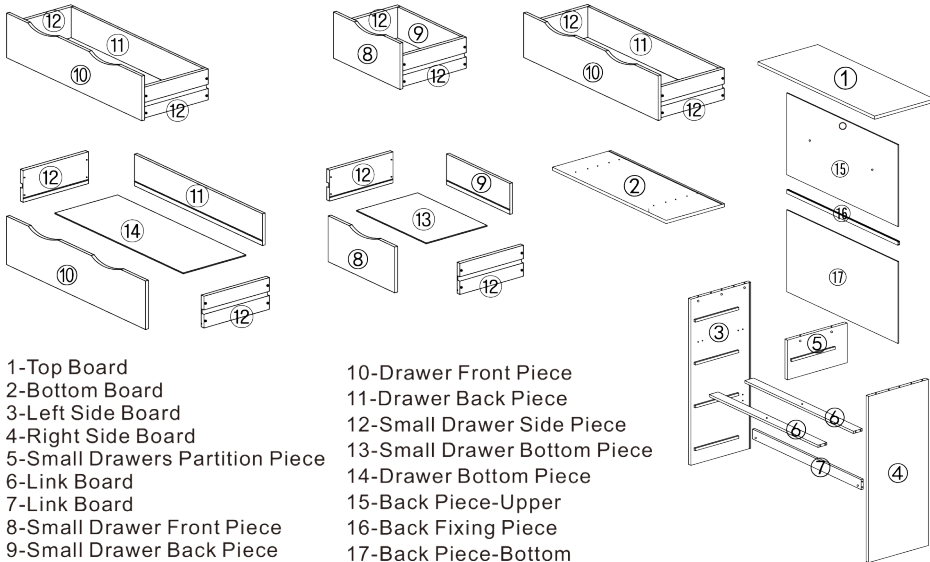


TWO
PERSON



MAXIMUM
CAPACITY 50Kg

PLEASE CHECK CAREFULLY AND MAKE SURE YOU HAVE ALL FITTINGS AND TOOLS LISTED BELOW BEFORE YOU START.



A	Cam Screw	*14
B	Cam Lock Nut	*14
C	Wooden Dowel	*14
D	$\varnothing 3.5 \times 25 \text{mm}$ Self Tapping Screw	*44

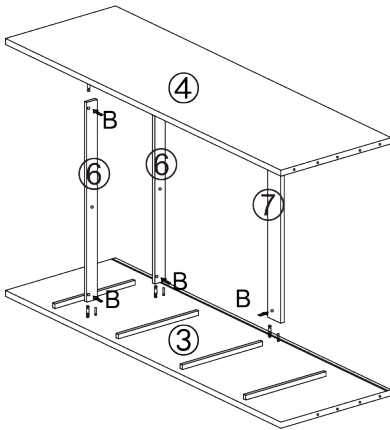
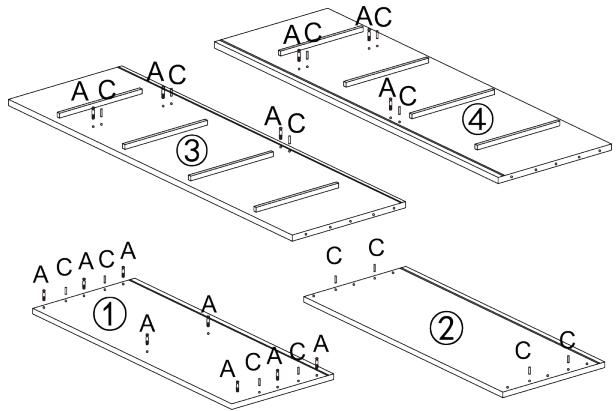
E	$\varnothing 7 \times 50 \text{mm}$ Long Screw	*6
F	Screw Driver	*1
G	Leg	*4
H	Feet pad	*4

NOTE: The quantities above are the correct amount to complete the assembly. In some cases more fittings may be supplied than are required.

STEP 1

Put the pieces on a soft flat surface e.g. a carpet to avoid scratching or bumping. Make sure that you have all pieces and components ready to build the chest of drawers.

Insert cam screw (A) and wooden dowel (C) into corresponding holes of top board (1), bottom board (2), side boards (3) and (4).

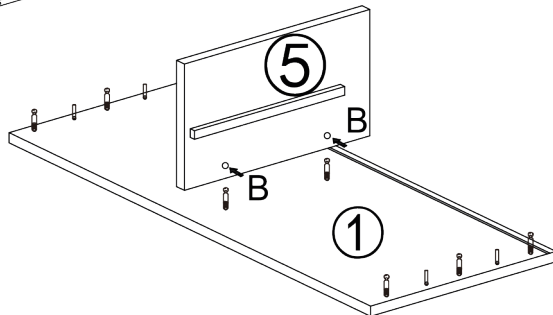


STEP 2

Connect side boards (3) and (4) with link boards (6) and (7) together, use cam lock nut (B) to tighten. Due to link boards (6) and (7) being the same size, ensure that you choose the correct piece as per diagram, and that it is assembled correctly, to prevent confusion.

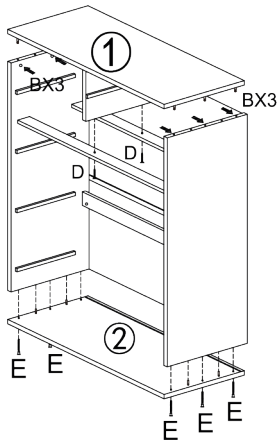
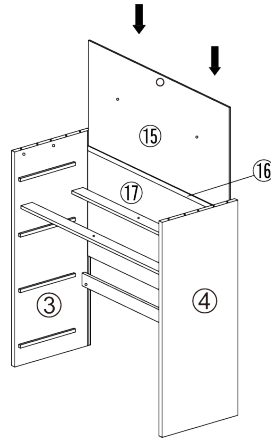
STEP 3

Connect the partition board (5) with top board (1), tighten with cam lock nut (B).



STEP 4

Insert the back boards (15) and (17) into the slots (3) and (4) of the side boards, then attach the back fixing (16).

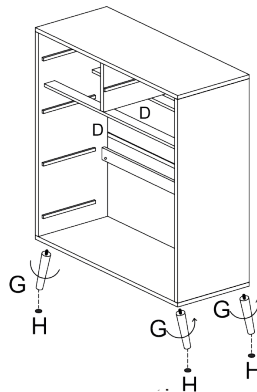


STEP 5

Connect top boards (1) & (5) with the side board (3) & (4) and the back board (15). Tighten with cam lock nut (B). Make sure both top drawers inner length (either side of partition board (5) is 42cm, and the partition board (5) vertically connected with the both link board (6), Use self tapping screw (D) to tighten. Connect the bottom board (2) with side boards (3) & (4), tighten with screws (E)

STEP 6

Install the wooden legs (G) in the corresponding position on the bottom board (2). Stick the waterproof pad (H) on the end of each leg.



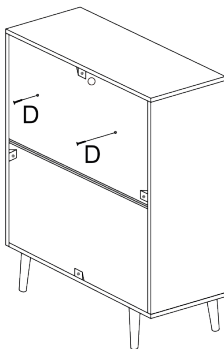
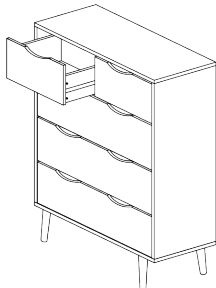
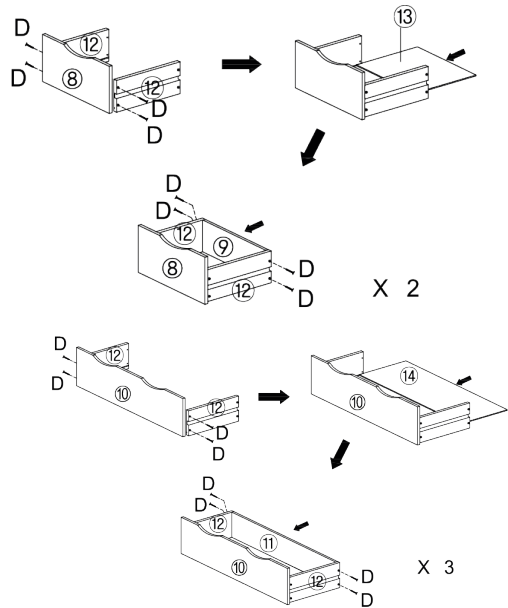
STEP 7

Assemble the drawers:
Connect small drawer front (8) with drawer sides (12), (9) and bottom (13) together.

Then connect drawer front (10) with drawer sides (2,) (11) and bottom (14) together, use self tapping screw (D) to tighten.

There are white plastic clips already installed on the insides of the side boards. Ensure you attach these to your drawers. This is to stop the drawers dropping from the cabinet.

ATTENTION: Be careful not to overload drawers.



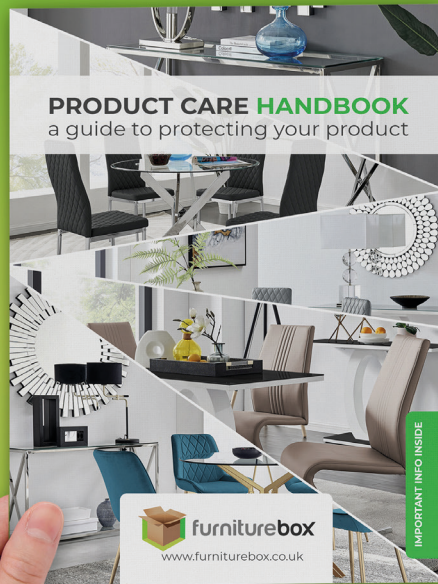
STEP 8

Install the assembled drawers in turn. Make sure that the left and right drawers in the top are installed correctly / the correct way round. Use screw (D) to tighten back board (15). Then use fastening clips to secure cabinet back with 16mm screws.

We strongly recommend you use the anti-tipping kit to anchor/secure your chest of drawers to the wall to prevent it tipping over.

LOOKING GOOD!

Now you've assembled your product find out how to care for your item and keep it looking brand new.



Look for your care guide in the box or visit:
www.furniturebox.co.uk/club/care-guide

www.furniturebox.co.uk



OUR 1 YEAR GUARANTEE

our products come with a 1 year guarantee to give you peace of mind shopping at Furniturebox



WHAT THE GUARANTEE COVERS



PRE-INSERTED FIXINGS
e.g. lose metal threads



FAULTY JOINTS
e.g. legs bending



EXTERNAL FIXING FAULTS
e.g. metal discs removing from table top



STRUCTURAL INTEGRITY
e.g. the frame of the product



ACTIVATE YOUR GUARANTEE ONLINE

scan this QR code with your phone to read the full guarantee online and register your product. It only takes a moment to fill out. Or visit: furniturebox.co.uk/our-guarantee



Furniturebox UK, Beaumont Business Centre,
Woodlands Road, Mere, Wiltshire, BA12 6BT
Tel: 01747 863333 Email: sales@furniturebox.co.uk