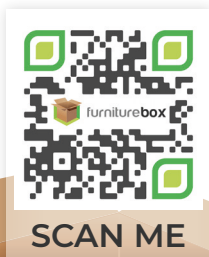
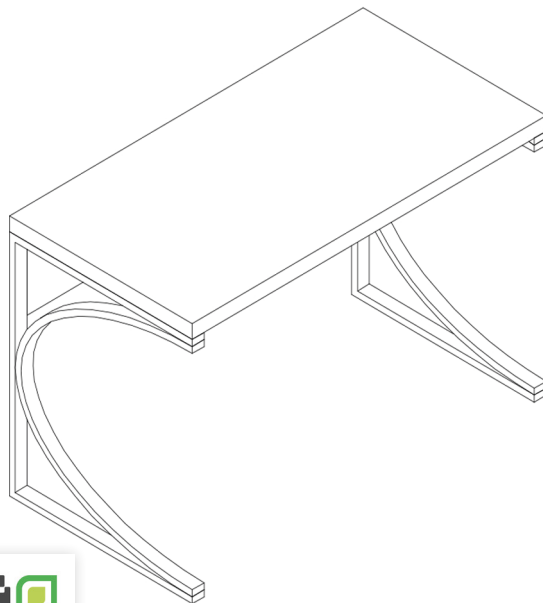




# VALENCIA

## ASSEMBLY GUIDE



[www.furniturebox.co.uk](http://www.furniturebox.co.uk)

Scan QR code for more tips,  
advice and assembly video or visit  
[furniturebox.co.uk/club/valencia](http://furniturebox.co.uk/club/valencia)

**Important - Please read these instructions fully before starting assembly**



**SAFETY AND  
CARE ADVICE**



**NO POWER TOOLS**

### **SAFETY AND CARE ADVICE**

- Check you have all the components and tools listed.
- Remove all fittings from the plastic bags and separate them into their groups.
- We do not recommend the use of power drills/drivers for inserting screws, as this could damage the unit. Only use hand screwdrivers and Allen keys.
- Keep children and animals away from the work area, small parts could cause choking if swallowed.
- Make sure you have enough space to layout the parts before starting.
- Assemble the item as close to its final position (in the same room) as possible.
- Do not overtighten the nuts to avoid causing damage to the threads.
- Only clean using a damp cloth and mild detergent, do not use bleach or abrasive cleaners.
- From time to time check that there are no loose screws on this unit
- This product should not be discarded with household waste. Take to your local authority waste disposal centre



**Follow us on Instagram**  
**@furniturebox\_uk**

## IMPORTANT INFORMATION



45 MINUTE  
BUILD

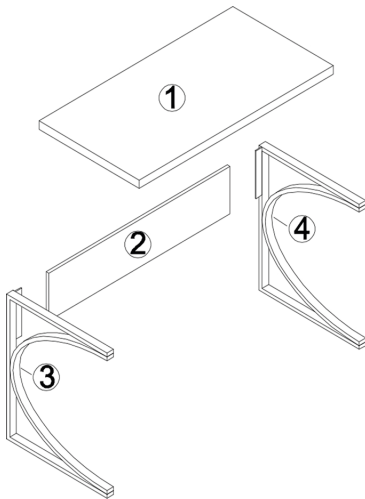












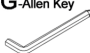

TWO  
PERSON



MAXIMUM  
CAPACITY 100Kg

PLEASE CHECK CAREFULLY AND MAKE SURE YOU HAVE ALL FITTINGS AND TOOLS LISTED BELOW BEFORE YOU START.

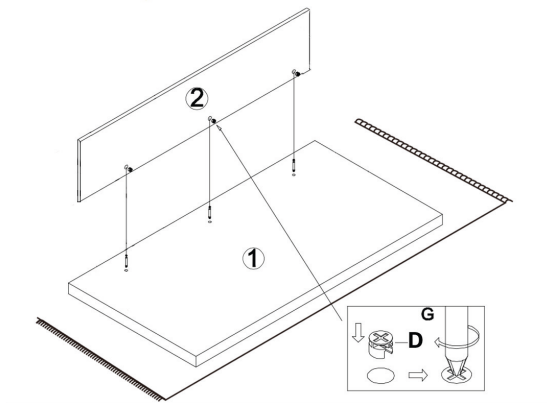
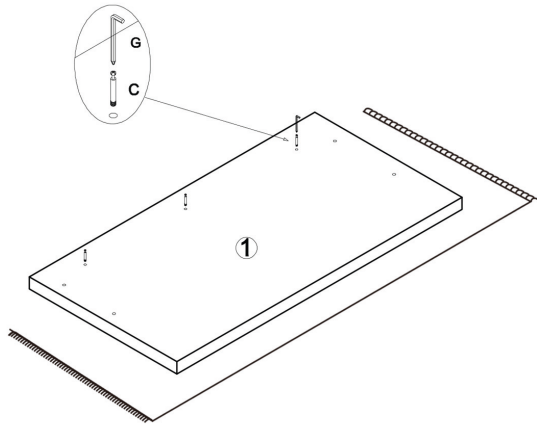


<b>1</b> -Desk Top  x1	<b>2</b> -Desk Back  x1	<b>3</b> -Desk Leg  x1	<b>4</b> -Desk Leg  x1
<b>A</b> -Long Allen Screw  M8x55mm x4	<b>B</b> -Allen Screw  M6x13mm x4	<b>C</b> -Cam Screw  Ø6x40mm x3	<b>D</b> -Cam Lock Nut  Ø15x11mm x3
<b>E</b> -Metal Washer  M8x22mm x4	<b>F</b> -Metal Washer  M6x18mm x4	<b>G</b> -Allen Key  M5 x1	<b>H</b> -PVC Sticker  Ø 30x3

**NOTE:** The quantities above are the correct amount to complete the assembly. In some cases more fittings may be supplied than are required.

## STEP 1

Put piece (1) upside down on a soft flat surface. Insert Cam Screw (C) at the back of the desk top using Allen key (G).



## STEP 2

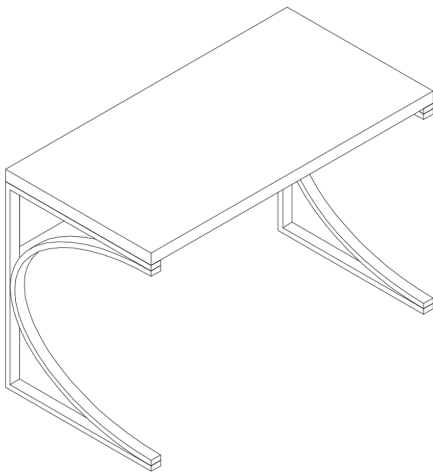
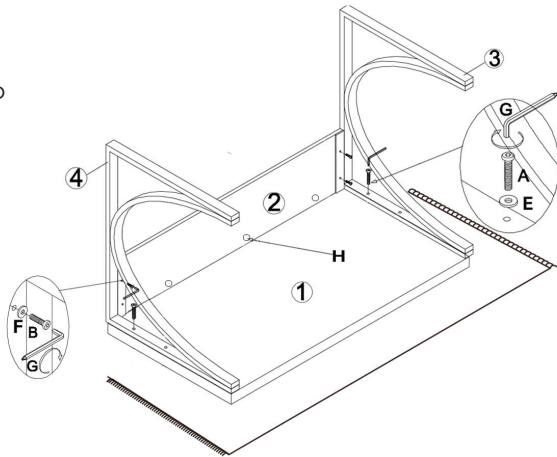
Secure the desk back (2) to the desk top (1) using Cam Lock Nuts (D).



Follow us on Instagram  
@furniturebox\_uk

### STEP 3

Connect the desk legs (3) (4) to the desk top with Long Allen Screw (A) and Metal Washers (E) using Allen Key (G). Then attach the Desk Legs (3) (4) with the Desk Back (2) using Allen Screw (B) and Metal Washer (F); secure with Allen Key (G).



### STEP 4

**ATTENTION:** Carefully with help, turn the table around to complete assembly.



WE **L♥VE** INTERIORS! SHARE  
YOURS WITH US ON SOCIAL MEDIA

1. follow us on Instagram
2. post your interior
3. tag us to be featured



@furnitureboxUK



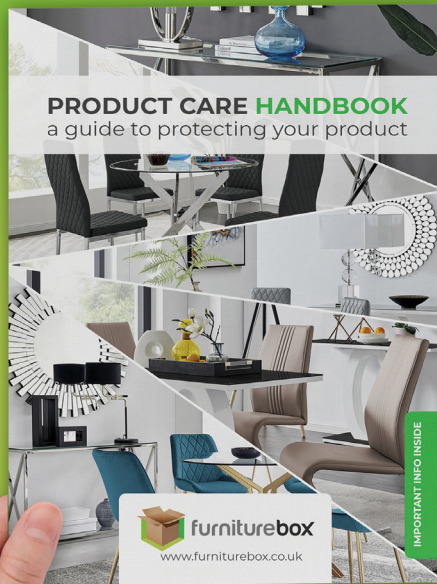
@furniturebox\_uk



@furnitureboxuk

# LOOKING GOOD!

Now you've assembled your product find out how to care for your item and keep it looking brand new.



Look for your care guide in the box or visit:  
[www.furniturebox.co.uk/club/care-guide](http://www.furniturebox.co.uk/club/care-guide)

[www.furniturebox.co.uk](http://www.furniturebox.co.uk)



## OUR 1 YEAR GUARANTEE

our products come with a 1 year guarantee to give you peace of mind shopping at Furniturebox



## WHAT THE GUARANTEE COVERS



**PRE-INSERTED FIXINGS**  
e.g. lose metal threads



**FAULTY JOINTS**  
e.g. legs bending



**EXTERNAL FIXING FAULTS**  
e.g. metal discs removing from table top



**STRUCTURAL INTEGRITY**  
e.g. the frame of the product



## ACTIVATE YOUR GUARANTEE ONLINE

scan this QR code with your phone to read the full guarantee online and register your product. It only takes a moment to fill out. Or visit: [furniturebox.co.uk/our-guarantee](https://furniturebox.co.uk/our-guarantee)



Furniturebox UK, Beaumont Business Centre,  
Woodlands Road, Mere, Wiltshire, BA12 6BT  
Tel: 01747 863333 Email: [sales@furniturebox.co.uk](mailto:sales@furniturebox.co.uk)