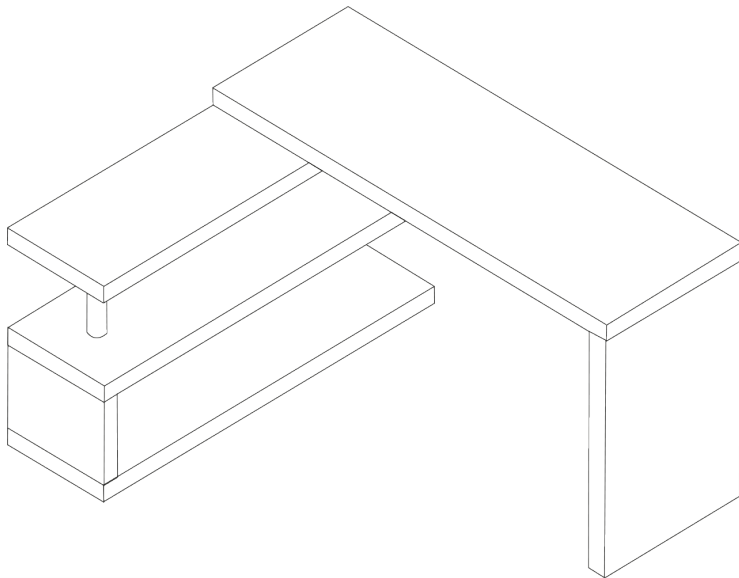




SIENA DESK

ASSEMBLY GUIDE



www.furniturebox.co.uk

Scan QR code for more tips, advice
and assembly video or visit
furniturebox.co.uk/club/siena-desk

Important - Please read these instructions fully before starting assembly



**SAFETY AND
CARE ADVICE**



NO POWER TOOLS

SAFETY AND CARE ADVICE

- Check you have all the components and tools listed.
- Remove all fittings from the plastic bags and separate them into their groups.
- We do not recommend the use of power drills/drivers for inserting screws, as this could damage the unit. Only use hand screwdrivers and Allen keys.
- Keep children and animals away from the work area, small parts could cause choking if swallowed.
- Make sure you have enough space to layout the parts before starting.
- Assemble the item as close to its final position (in the same room) as possible.
- Do not overtighten the nuts to avoid causing damage to the threads.
- Only clean using a damp cloth and mild detergent, do not use bleach or abrasive cleaners.
- From time to time check that there are no loose screws on this unit
- This product should not be discarded with household waste. Take to your local authority waste disposal centre



Follow us on Instagram
@furniturebox_uk

IMPORTANT INFORMATION



30 MINUTE
BUILD



TWO
PERSON

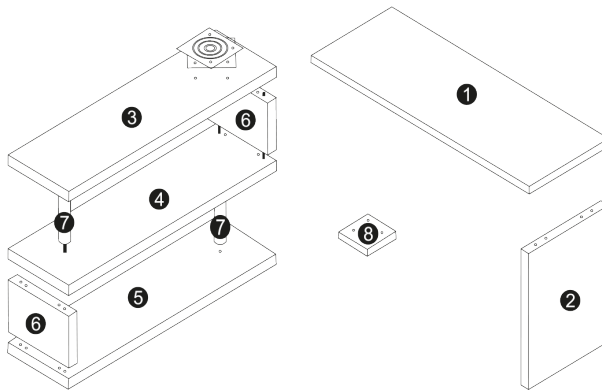


MAXIMUM
CAPACITY 80Kg



IMPORTANT
STEP

PLEASE CHECK CAREFULLY AND MAKE SURE YOU HAVE ALL FITTINGS AND TOOLS LISTED BELOW BEFORE YOU START.



 x1	 x1	 x1	 x1	 x1	 x2
 x2	 x1	A 6x20x4	B 8x45x4	C 6x35x4	D 8x20x8
E 8x30x10	F 4mmx1 5mmx1	G x2	H Ø35 x4	I Ø30x8	J M8x1 M6x1
K M8x8	L M6x4	M M8x20	N M6x12	O x1	P 725mmX2
					Q 330mmX6

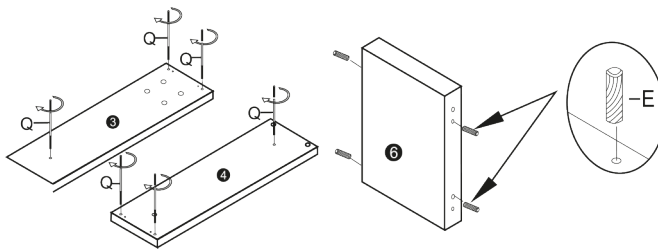
NOTE: The quantities above are the correct amount to complete the assembly. In some cases more fittings may be supplied than are required.



STEP 1

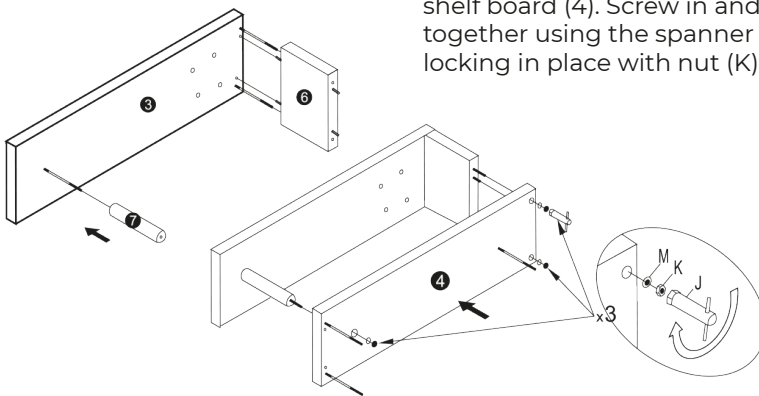
Install the threaded rods (Q) into the corresponding holes on the top board (3) and the side-shelf board (4). Then install the wooden dowels (E) in the corresponding holes on side-support board (6).

ATTENTION: Be careful not to over-screw beyond the thread stops.



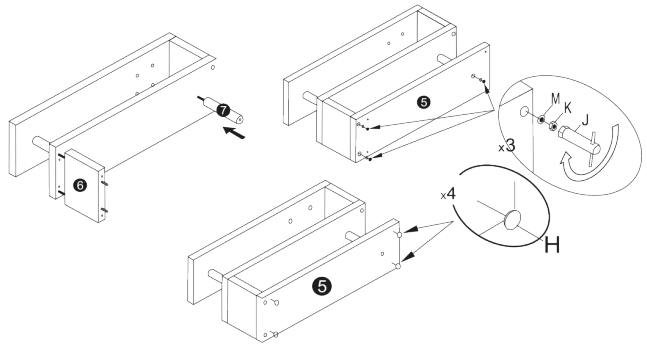
STEP 2

Assemble the side-support board (6), stainless steel pole (7) and the top board (3) together as shown. Then assemble the side-shelf board (4). Screw in and fix these pieces together using the spanner (J) provided, locking in place with nut (K)



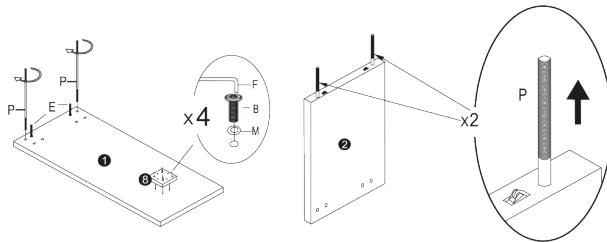
STEP 3

Using the same method as Step 2, assemble the bottom board (5), side-support board (6) and stainless steel pole (7) together. Add on the stick on the waterproof rubber washer (H) to the bottom of board (5).



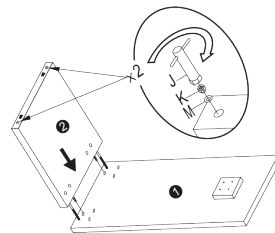
STEP 4

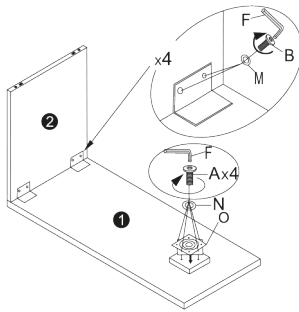
Install the screw rod (P) in the corresponding hole of the table top (1) and then install the wooden dowel (E) at the corresponding hole. Then install the connecting board (8) at the corresponding hole of the back side from the table top, tighten and fix with spanner (F), crews (B) and metal washer (M) .



STEP 5

Assemble the table leg (2) with table top (1) together, tightening with the spanner (J), lock nut (K) and metal washer (M).



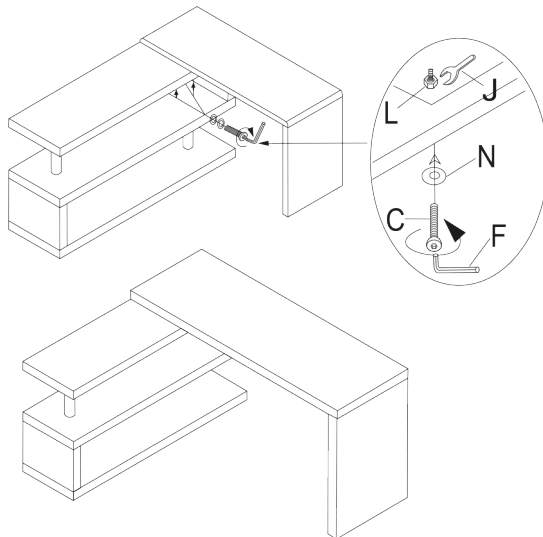


STEP 6

Install the angle support (C), fixing with spanner F, screw (B) and metal washer (M), joining table leg (2) and table top (1) together. Then install the rotary block (O) at the corresponding hole of the connecting board, tighten it with spanner (F), screw (A) and washer (N).

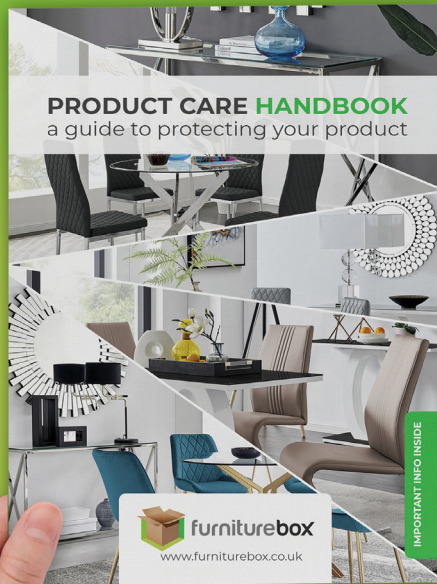
STEP 7

ATTENTION: Using 2 people assemble (1), (2), (3), (4) and (5) together. Turn the rotary key (O), aligning it with the hole position of side-top board (3), and fasten it with spanner (F), screw (C), washer (N) and spanner (J). Assembly complete.



LOOKING GOOD!

Now you've assembled your product find out how to care for your item and keep it looking brand new.



Look for your care guide in the box or visit:
www.furniturebox.co.uk/club/care-guide

www.furniturebox.co.uk



OUR 1 YEAR GUARANTEE

our products come with a 1 year guarantee to give you peace of mind shopping at Furniturebox



WHAT THE GUARANTEE COVERS



PRE-INSERTED FIXINGS

e.g. lose metal threads



FAULTY JOINTS

e.g. legs bending



EXTERNAL FIXING FAULTS

e.g. metal discs removing from table top



STRUCTURAL INTEGRITY

e.g. the frame of the product



ACTIVATE YOUR GUARANTEE ONLINE

scan this QR code with your phone to read the full guarantee online and register your product. It only takes a moment to fill out. Or visit: furniturebox.co.uk/our-guarantee

Furniturebox UK, Beaumont Business Centre,
Woodlands Road, Mere, Wiltshire, BA12 6BT
Tel: 01747 863333 Email: sales@furniturebox.co.uk