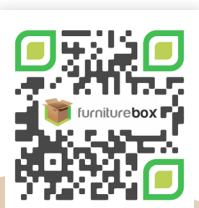
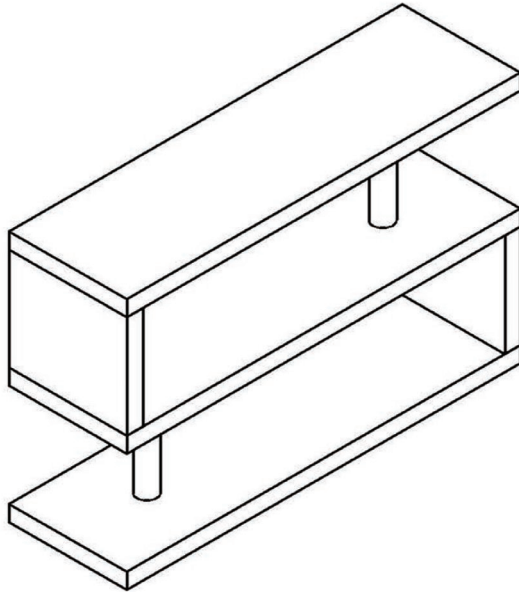
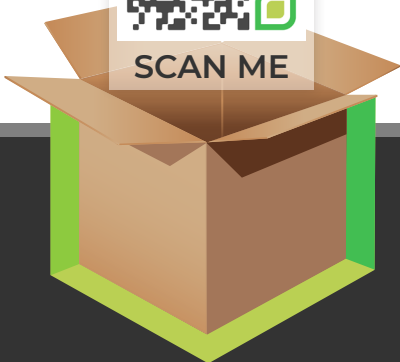


SIENA TV STAND

ASSEMBLY GUIDE



SCAN ME



www.furniturebox.co.uk

Scan QR code for more tips,
advice and assembly video or visit
furniturebox.co.uk/club/siena-tv

Important - Please read these instructions fully before starting assembly



SAFETY AND CARE ADVICE



NO POWER TOOLS

SAFETY AND CARE ADVICE

- Check you have all the components and tools listed.
- Remove all fittings from the plastic bags and separate them into their groups.
- We do not recommend the use of power drills/drivers for inserting screws, as this could damage the unit. Only use hand screwdrivers and Allen keys.
- Keep children and animals away from the work area, small parts could cause choking if swallowed.
- Make sure you have enough space to layout the parts before starting.
- Assemble the item as close to its final position (in the same room) as possible.
- Do not overtighten the nuts to avoid causing damage to the threads.
- Only clean using a damp cloth and mild detergent, do not use bleach or abrasive cleaners.
- From time to time check that there are no loose screws on this unit
- This product should not be discarded with household waste. Take to your local authority waste disposal centre



IMPORTANT INFORMATION



30 MINUTE
BUILD



ONE
PERSON



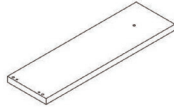
MAXIMUM
CAPACITY 80Kg



IMPORTANT
STEP

PLEASE CHECK CAREFULLY AND MAKE SURE YOU HAVE ALL FITTINGS AND TOOLS LISTED BELOW BEFORE YOU START.

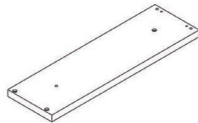
1 x1
Top panel



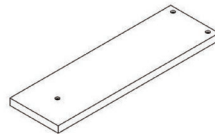
2 x2
Side panel










3 x1
Middle panel



4 x1
Bottom panel



<p>A Rod  M8x300mm x6</p>	<p>B Tubular Support  ø50x238mm x2</p>	<p>C Gasket  ø50x18mm x4</p>
<p>D Dowel  M8x40mm x8</p>	<p>E Washer  M8xø18mm x6</p>	<p>F Nut  M8 x6</p>
<p>G Spanner  x1</p>		

NOTE: The quantities above are the correct amount to complete the assembly. In some cases more fittings may be supplied than are required.



STEP 1

Use a clear, flat, soft surface to avoid bumps or scratches.

Place top panel [1] face down on your flat surface.

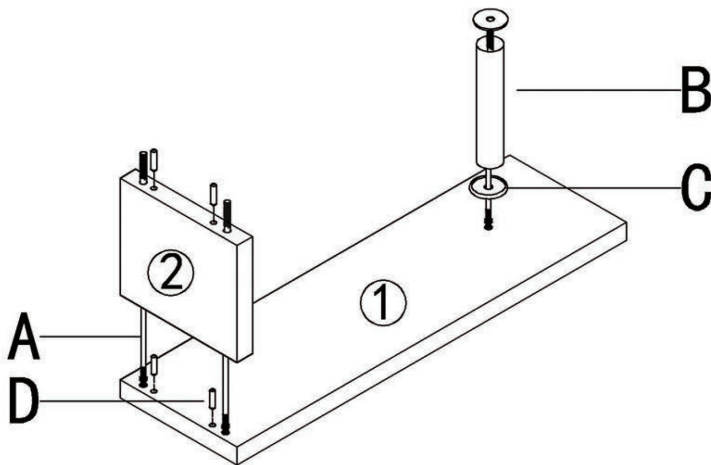
Add 2x dowels [D] to the inside holes and 2 x long rod bolts [A] to the outside holes at the end of bottom panel [1].

Add 1 x rod bolt [A] to the single hole towards the opposite end of panel [1].

Carefully align and drop side panel [2] over the long rods and onto the dowels at the end of panel [1]. Then add 2 x dowels [D] to the outside holes in the top of panel [2].

Add 1 x gasket [C] to the single rod, followed by 1 x tubular support [B] and another gasket [C].

 **ATTENTION:** Be careful not to over-screw beyond the thread stops.



STEP 2

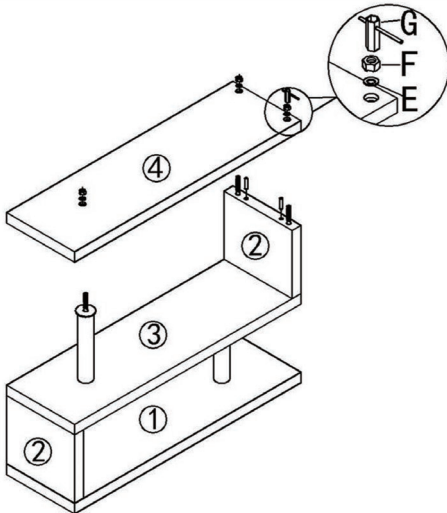
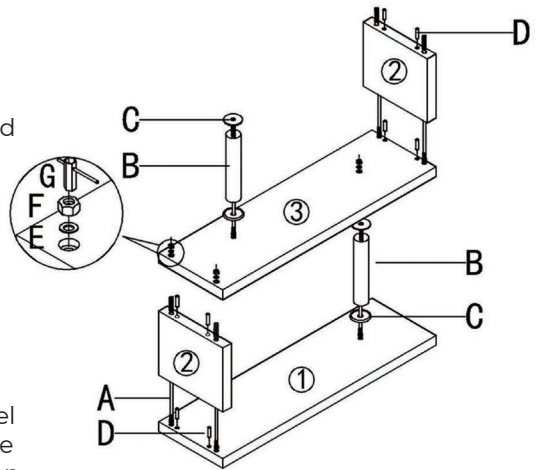
Align middle panel [3] and drop onto exposed rod ends. Secure middle panel into place using 1 x washer [E] followed by 1 x nut [G] over each of the three exposed rod ends. Tighten with spanner [C].

Add 2x dowels [D] to the inside holes and 2 x long rod bolts [A] to the outside holes at the end of middle panel [3].

Add 1 x rod bolt [A] to the single hole towards the opposite end of bottom panel [1].

Carefully align and drop side panel [2] over the long rods and onto the dowels at the end of panel [1]. Then add 2 x dowels [D] to the outside holes in the top of panel [2].

Add 1 x gasket [C] to the single rod, followed by 1 x tubular support [B] and another gasket [C]



STEP 3

Align and carefully drop bottom panel [4] over the exposed rod ends. Secure bottom panel [4] into place using 1 x washer [E] followed by 1 x nut [G] over each of the three exposed rod ends. Tighten with spanner [C].

STEP 4

ATTENTION: Check all components are secured. Carefully, and with help, turn your TV stand over so it rests on the bottom panel. Check for stability. Your TV unit is now ready to use.



furniturebox



WE **L**OVE INTERIORS! SHARE YOURS WITH US ON SOCIAL MEDIA

1. follow us on Instagram
2. post your interior
3. tag us to be featured



@furnitureboxUK



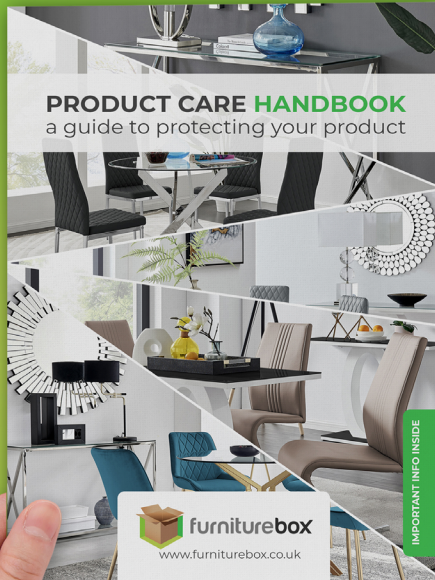
@furniturebox_uk



@furnitureboxuk

LOOKING GOOD!

Now you've assembled your product find out how to care for your item and keep it looking brand new.



Look for your care guide in the box or visit:
www.furniturebox.co.uk/club/care-guide



OUR 1 YEAR GUARANTEE

our products come with a 1 year guarantee to give you peace of mind shopping at Furniturebox



WHAT THE GUARANTEE COVERS



PRE-INSERTED FIXINGS

e.g. lose metal threads



FAULTY JOINTS

e.g. legs bending



EXTERNAL FIXING FAULTS

e.g. metal discs removing from table top



STRUCTURAL INTEGRITY

e.g. the frame of the product



ACTIVATE YOUR GUARANTEE ONLINE

scan this QR code with your phone to read the full guarantee online and register your product. It only takes a moment to fill out. Or visit: furniturebox.co.uk/our-guarantee

Furniturebox UK, Beaumont Business Centre,
Woodlands Road, Mere, Wiltshire, BA12 6BT
Tel: 01747 863333 Email: sales@furniturebox.co.uk