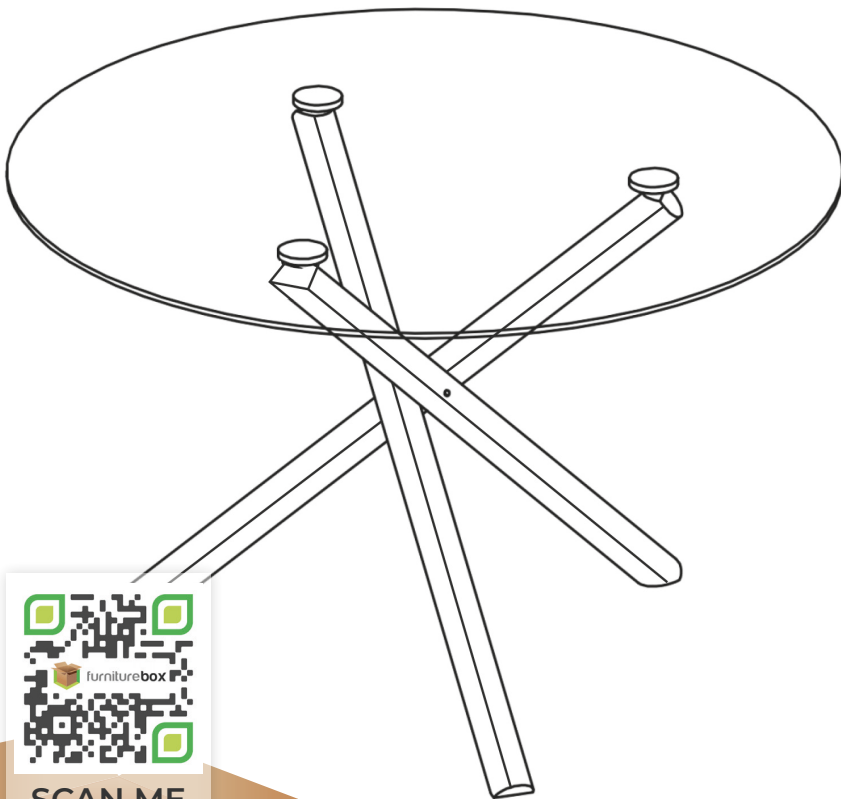




SELINA ROUND

ASSEMBLY GUIDE



www.furniturebox.co.uk

Scan QR code for more tips, advice
and assembly video or visit
furniturebox.co.uk/club/selina-round

Important - Please read these instructions fully before starting assembly



SAFETY AND CARE ADVICE



NO POWER TOOLS

SAFETY AND CARE ADVICE

- Check you have all the components and tools listed.
- Remove all fittings from the plastic bags and separate them into their groups.
- We do not recommend the use of power drills/drivers for inserting screws, as this could damage the unit. Only use hand screwdrivers and Allen keys.
- Keep children and animals away from the work area, small parts could cause choking if swallowed.
- Make sure you have enough space to layout the parts before starting.
- Assemble the item as close to its final position (in the same room) as possible.
- Do not overtighten the nuts to avoid causing damage to the threads.
- Only clean using a damp cloth and mild detergent, do not use bleach or abrasive cleaners.
- From time to time check that there are no loose screws on this unit
- This product should not be discarded with household waste. Take to your local authority waste disposal centre



Follow us on Instagram
@furniturebox_uk

IMPORTANT INFORMATION



TWO
PERSON



45 MINUTE
BUILD



GLASS

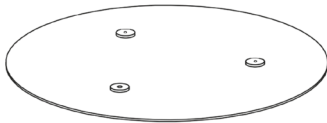


MAXIMUM
CAPACITY 100Kg

PLEASE CHECK CAREFULLY AND MAKE SURE YOU HAVE ALL FITTINGS AND TOOLS LISTED BELOW BEFORE YOU START.

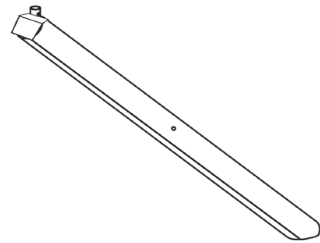
1 x 1








TableTop



2 x 3

TableLegs



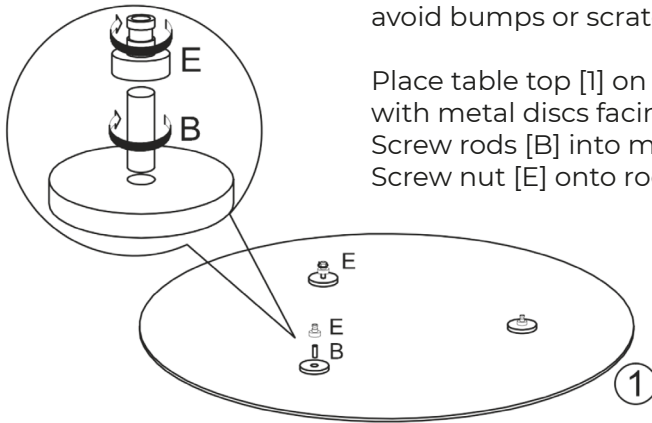
<p>(A)</p>  <p>Screws M8*50 x3</p>	<p>(B)</p>  <p>Rod M8*25 x3</p>	<p>(C)</p>  <p>Rod M6*8 x3</p>
<p>(D)</p>  <p>x1</p>	<p>(E)</p>  <p>x3</p>	 <p>Allenkey x1</p>
 <p>Allenkey x1</p>		

NOTE: The quantities above are the correct amount to complete the assembly. In some cases more fittings may be supplied than are required.

STEP 1

Use a clear, flat, soft surface to avoid bumps or scratches.

Place table top [1] on flat surface with metal discs facing upwards. Screw rods [B] into metal discs. Screw nut [E] onto rods.

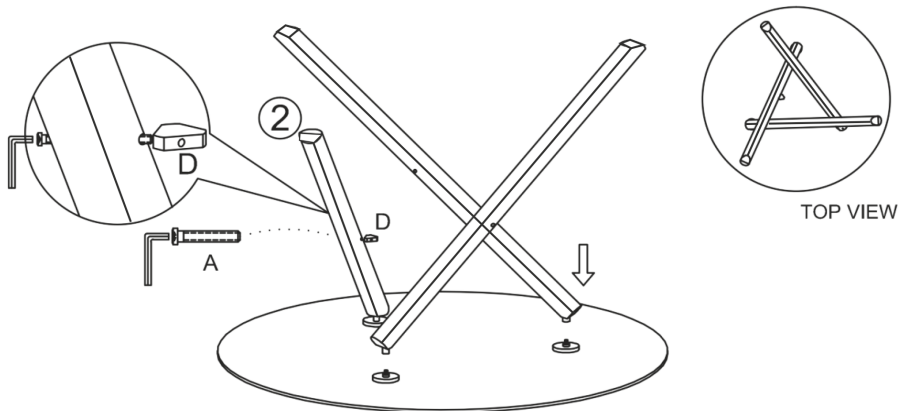


STEP 2

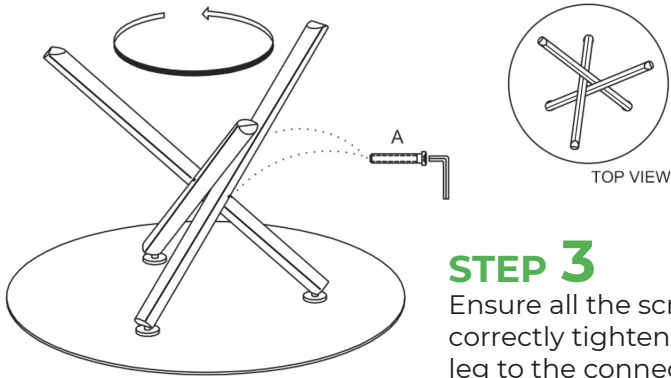
Put the legs [2] onto the rods and nuts.

Connect the legs together in the middle using the triangular connecting plate [D] and the 3 x long screws [A]

ATTENTION: Be careful not to fully tighten fixings yet.



FULL ASSEMBLY INSTRUCTIONS

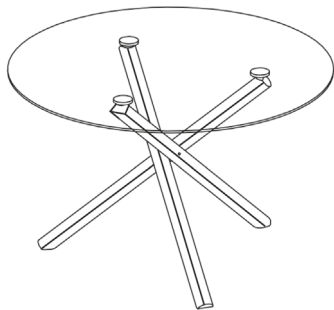
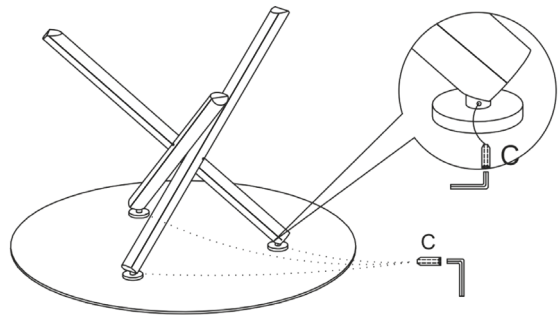


STEP 3

Ensure all the screws are correctly tightened to hold each leg to the connecting plate.

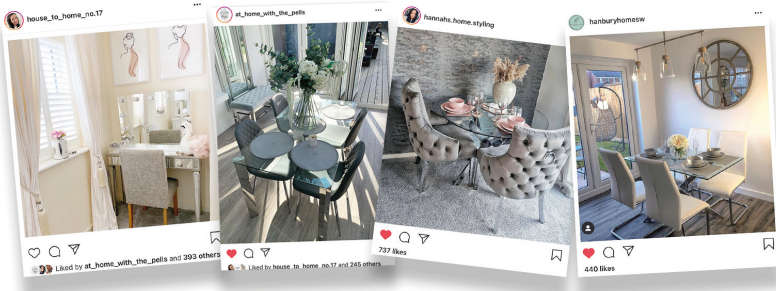
STEP 4

Next, insert tods [C] into holes on the table legs at the table-top-end, and tighten to ensure legs are properly fixed to table top. Now go back and fully tighten all screws and bolts including at the triangular connecting plate [D]



STEP 5

ATTENTION: With the help of another person, carefully turn the table over to complete assembly. Your table is now ready to use.



WE **L**♥**VE** INTERIORS! SHARE YOURS WITH US ON SOCIAL MEDIA

1. follow us on Instagram
2. post your interior
3. tag us to be featured



@furnitureboxUK



@furniturebox_uk



@furnitureboxuk

LOOKING GOOD!

Now you've assembled your product find out how to care for your item and keep it looking brand new.



Look for your care guide in the box or visit:
www.furniturebox.co.uk/club/care-guide

www.furniturebox.co.uk



OUR 1 YEAR GUARANTEE

our products come with a 1 year guarantee to give you peace of mind shopping at Furniturebox



WHAT THE GUARANTEE COVERS



PRE-INSERTED FIXINGS
e.g. lose metal threads



FAULTY JOINTS
e.g. legs bending



EXTERNAL FIXING FAULTS
e.g. metal discs removing from table top



STRUCTURAL INTEGRITY
e.g. the frame of the product



ACTIVATE YOUR GUARANTEE ONLINE

scan this QR code with your phone to read the full guarantee online and register your product. It only takes a moment to fill out. Or visit: furniturebox.co.uk/our-guarantee

Furniturebox UK, Beaumont Business Centre,
Woodlands Road, Mere, Wiltshire, BA12 6BT
Tel: 01747 863333 Email: sales@furniturebox.co.uk