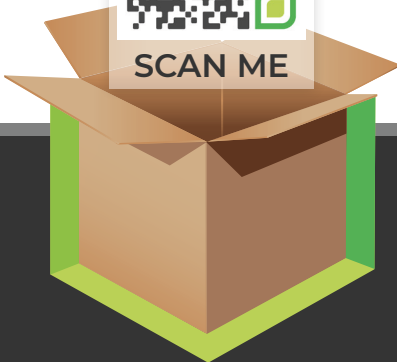
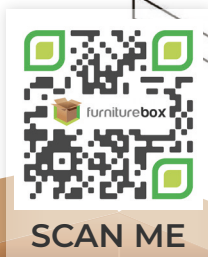
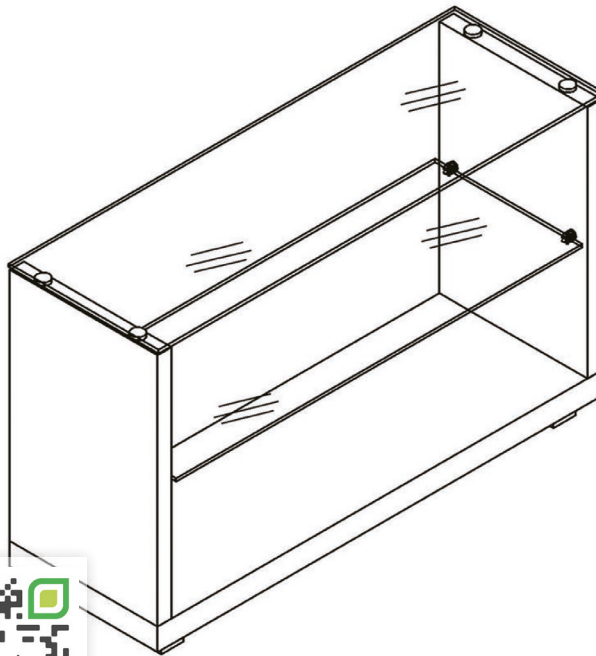




SANDRO CONSOLE TABLE

ASSEMBLY GUIDE



www.furniturebox.co.uk

Scan QR code for more tips,
advice and assembly video or visit
furniturebox.co.uk/club/sandro-console

Important - Please read these instructions fully before starting assembly



**SAFETY AND
CARE ADVICE**



NO POWER TOOLS

SAFETY AND CARE ADVICE

- Check you have all the components and tools listed.
- Remove all fittings from the plastic bags and separate them into their groups.
- We do not recommend the use of power drills/drivers for inserting screws, as this could damage the unit. Only use hand screwdrivers and Allen keys.
- Keep children and animals away from the work area, small parts could cause choking if swallowed.
- Make sure you have enough space to layout the parts before starting.
- Assemble the item as close to its final position (in the same room) as possible.
- Do not overtighten the nuts to avoid causing damage to the threads.
- Only clean using a damp cloth and mild detergent, do not use bleach or abrasive cleaners.
- From time to time check that there are no loose screws on this unit
- This product should not be discarded with household waste. Take to your local authority waste disposal centre



Follow us on Instagram
@furniturebox_uk

IMPORTANT INFORMATION



30 MINUTE
BUILD



TWO
PERSON



GLASS



MAXIMUM
CAPACITY 100Kg

PLEASE CHECK CAREFULLY AND MAKE SURE YOU HAVE ALL FITTINGS AND TOOLS LISTED BELOW BEFORE YOU START.

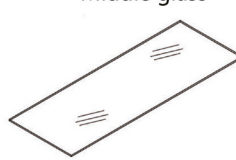
1 x1
Top glass



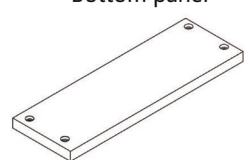
2 x2
Side panel



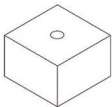
3 x1
Middle glass





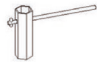





4 x1
Bottom panel



5 x4
Foot



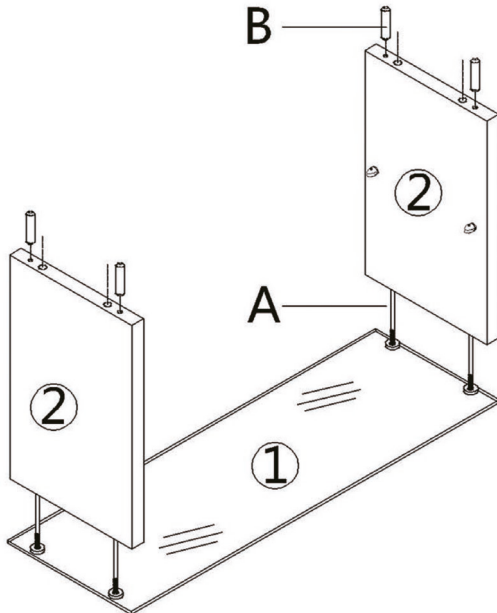
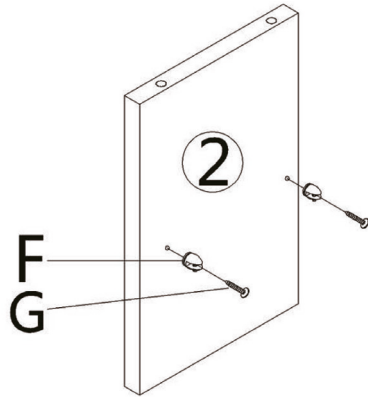
| | | |
|---|---|---|
| A Rod  M8x700mm x4 | B Dowel  M8x40mm x4 | C Washer  M8xφ20mm x4 |
| D Nut  M8 x4 | E Spanner  x1 | F Glass clamp  x4 |
| G Screw  M3.5x20 x4 | H Short rod  M8x35 x4 | |

NOTE: The quantities above are the correct amount to complete the assembly. In some cases more fittings may be supplied than are required.

STEP 1

Use a clear, flat, soft surface to avoid bumps or scratches.

First, attach glass clamps [F] to both side panels [2] using screws [G]. 2 clamps on each side panel.



STEP 2

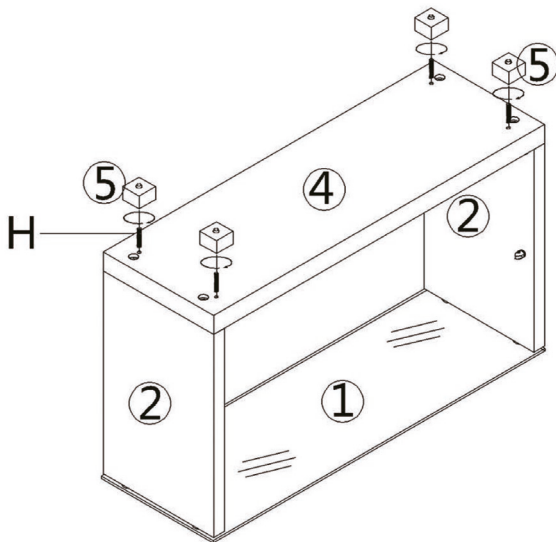
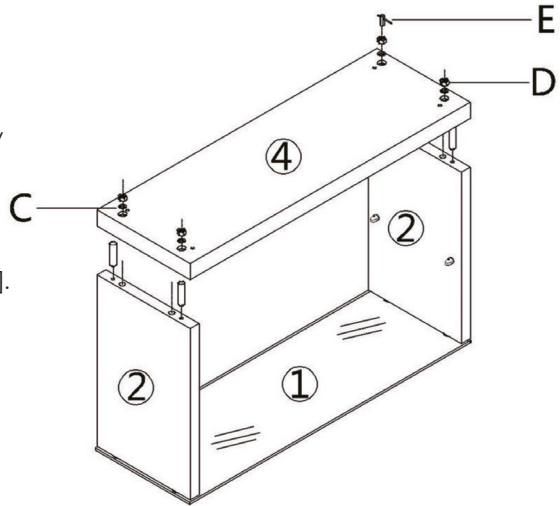
Lay table top [1] on floor, with metal discs facing up. Screw bolt rods [A] into the metal discs in each corner. Thread side panels [2] onto bolt rods. Add dowel [B] to side panels - 1 in each corner as per diagram.



STEP 3

Align table base [4] over bolt rods and dowels and carefully lower into place.

Secure into place using washer [C] followed by nut [D] over exposed ends of bolt rods. Tighten with spanner [E].



STEP 4

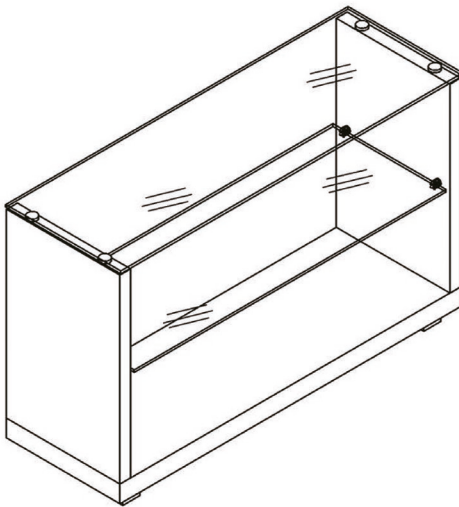
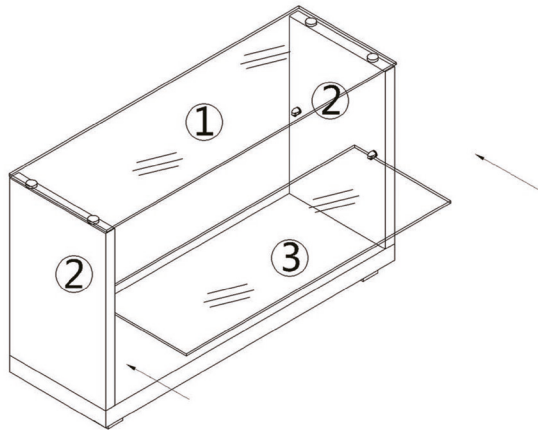
Attach feet [5] to table base. First, screw in small bolt rods [H] into small holes in table base. Then screw feet [5] onto rods.



STEP 5

ATTENTION: Carefully, and with help, flip your table correct side up, so it sits on its feet.

Carefully slide glass shelf [3] in between the glass clamps [F]

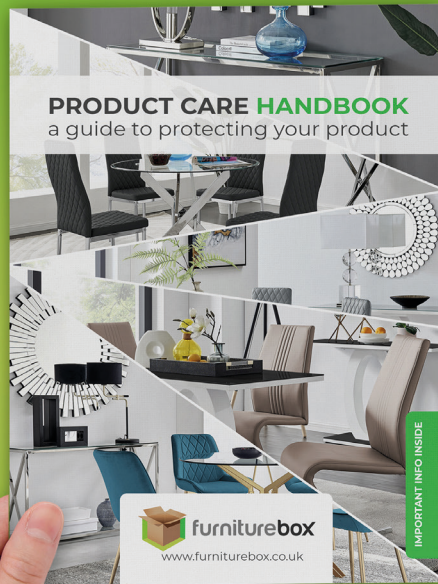


STEP 6

Check stability. Your console table is now ready to use.

LOOKING GOOD!

Now you've assembled your product find out how to care for your item and keep it looking brand new.



Look for your care guide in the box or visit:
www.furniturebox.co.uk/club/care-guide

www.furniturebox.co.uk



OUR 1 YEAR GUARANTEE

our products come with a 1 year guarantee to give you peace of mind shopping at Furniturebox



WHAT THE GUARANTEE COVERS



PRE-INSERTED FIXINGS
e.g. lose metal threads



FAULTY JOINTS
e.g. legs bending



EXTERNAL FIXING FAULTS
e.g. metal discs removing
from table top



STRUCTURAL INTEGRITY
e.g. the frame of the
product



ACTIVATE YOUR GUARANTEE ONLINE

scan this QR code with your phone to read the full guarantee online and register your product. It only takes a moment to fill out. Or visit: furniturebox.co.uk/our-guarantee

Furniturebox UK, Beaumont Business Centre,
Woodlands Road, Mere, Wiltshire, BA12 6BT
Tel: 01747 863333 Email: sales@furniturebox.co.uk