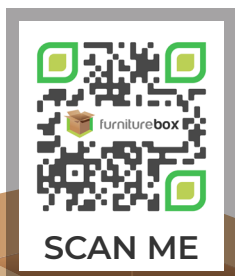
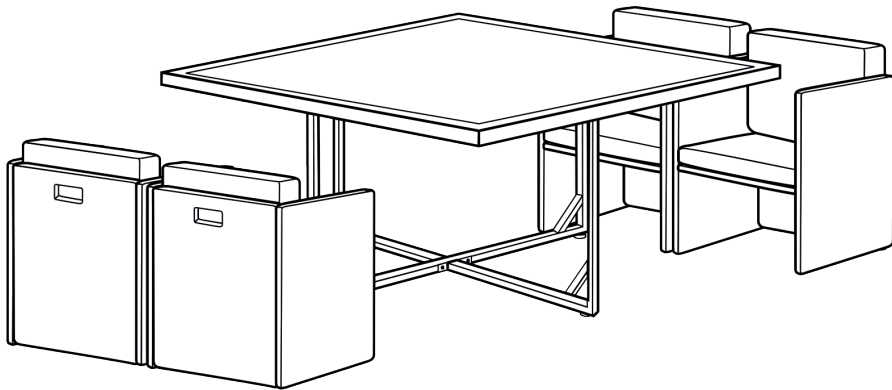




RHODES

ASSEMBLY GUIDE



www.furniturebox.co.uk

Scan QR code for more tips, advice
and assembly video or visit
furniturebox.co.uk/club/rhodes

Important - Please read these instructions fully before starting assembly



**SAFETY AND
CARE ADVICE**



NO POWER TOOLS

SAFETY AND CARE ADVICE

- Check you have all the components and tools listed.
- Remove all fittings from the plastic bags and separate them into their groups.
- We do not recommend the use of power drills/drivers for inserting screws, as this could damage the unit. Only use hand screwdrivers and Allen keys.
- Keep children and animals away from the work area, small parts could cause choking if swallowed.
- Make sure you have enough space to layout the parts before starting.
- Assemble the item as close to its final position (in the same room) as possible.
- Do not overtighten the nuts to avoid causing damage to the threads.
- Only clean using a damp cloth and mild detergent, do not use bleach or abrasive cleaners.
- From time to time check that there are no loose screws on this unit
- This product should not be discarded with household waste. Take to your local authority waste disposal centre



Follow us on Instagram
@furniturebox_uk

IMPORTANT INFORMATION



45 MINUTE
BUILD

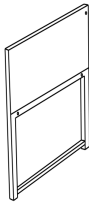


TWO
PERSON

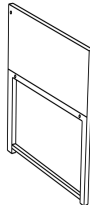


MAXIMUM
CAPACITY 100Kg

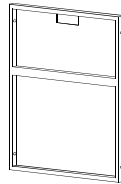
PLEASE CHECK CAREFULLY AND MAKE SURE YOU HAVE ALL FITTINGS AND TOOLS LISTED BELOW BEFORE YOU START.



A1: Armrest 4x



A2: Armrest 4x



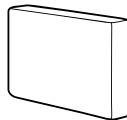
B: Backrest 4x



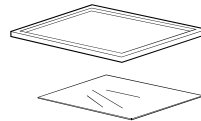
C: Seat Panel 4x



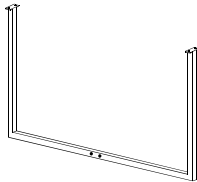
D: Seat cushion 4x



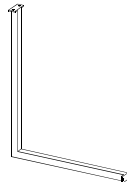
E: Back cushion 4x



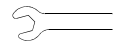
F: Table frame 1x /Table glass



G: Leg Frame 1x



H: Leg Frame 2x



I: Open Spanner 1x



J: M6x15mm 8x



K: M6x40mm 40x



L: M6x45mm 2x



M: Nut 2x

NOTE: The quantities above are the correct amount to complete the assembly. In some cases more fittings may be supplied than are required.



Construct your furniture on a nice flat, soft surface like a carpet, rug, or the lawn, to avoid any bumps and scratches. First, lay out all your pieces and check you have all the items listed on the inventory.

TABLE: STEP 1

Don't tighten any of the bolts until all components are in place.

Place tabletop [F] face-down on your flat surface. Connect the long leg frame [G] using 2x washer + bolt set [J] on either end.

Connect both shorter leg frames [H] to the tabletop [F] using 2x washer + bolt set [J]. Then, connect leg frames [H] to longer leg frame [G] using 2x washer + bolt set [L]+nut[M].

Once everything is in place, go ahead and tighten all the bolts with the Allen key provided (but take care not to over-tighten).

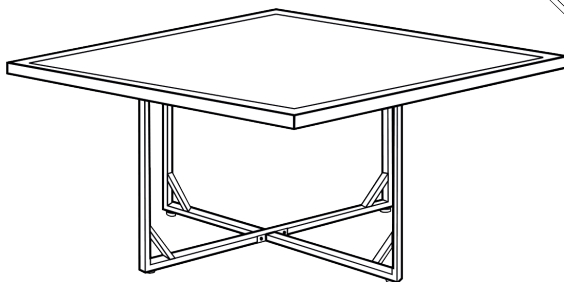
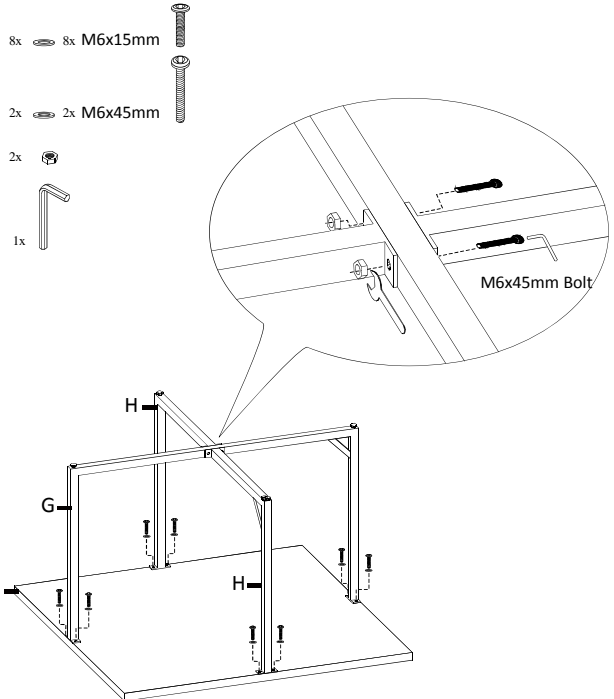


TABLE: STEP 2

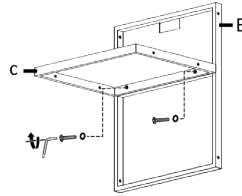
Carefully, and with help, flip your table onto its feet and check for stability. Your table is now complete!



CHAIR: STEP 1

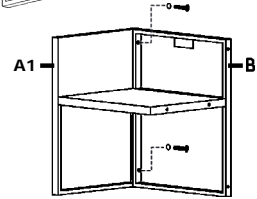
Don't fully tighten any of the bolts until all the components are in place.

Attach 1x seat panel [C] to 1x backrest [B] using 2x washer + bolt sets [K].



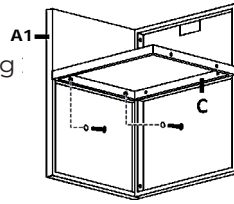
CHAIR: STEP 2

Attach 1x armrest [A1/A2] to backrest [B] using 2x washer + bolt sets [K].



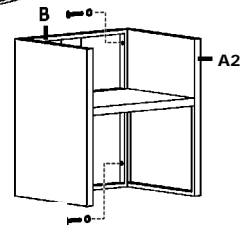
CHAIR: STEP 3

Secure seat panel [C] to armrest [A1/A2] using washer + bolt sets [K].



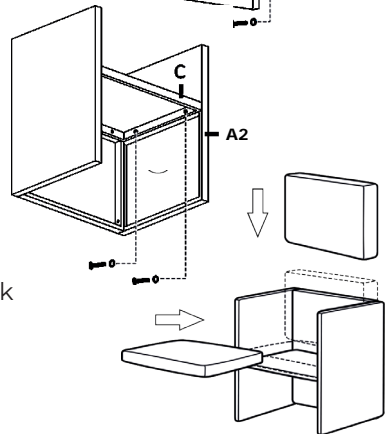
CHAIR: STEP 4

Attach a 2nd armrest [A1/A2] to the other side of the frame - connect to the backrest [B] using 2x washer + bolt sets [K].



CHAIR: STEP 5

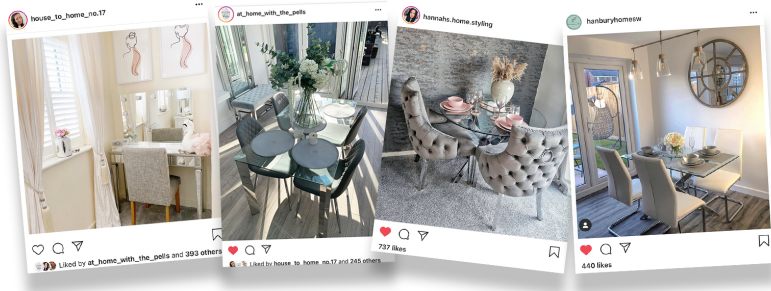
Secure the 2nd armrest to the seat panel using 2x washer + bolt sets [K]. Once everything is in place, go ahead and tighten all the bolts with the Allen key provided (and take care not to over-tighten).



CHAIR: STEP 6

Carefully place the chair onto its feet and check stability. Add 1x seat cushion [D] and 1x back cushion [E]. Your chair is now complete!

Repeat for the other 3 chairs.



WE **LOVE** INTERIORS! SHARE YOURS WITH US ON SOCIAL MEDIA

1. follow us on Instagram
2. post your interior
3. tag us to be featured



@furnitureboxUK



@furniturebox_uk



@furnitureboxuk

LOOKING GOOD!

Now you've assembled your garden furniture find out how to care for your item and keep it looking brand new.



Look for your care guide in the box or visit:
www.furniturebox.co.uk/club/care-guide

www.furniturebox.co.uk



OUR 1 YEAR GUARANTEE

our products come with a 1 year guarantee to give you peace of mind shopping at Furniturebox



WHAT THE GUARANTEE COVERS



PRE-INSERTED FIXINGS

e.g. lose metal threads



FAULTY JOINTS

e.g. legs bending



EXTERNAL FIXING FAULTS

e.g. metal discs removing from table top



STRUCTURAL INTEGRITY

e.g. the frame of the product



ACTIVATE YOUR GUARANTEE ONLINE

scan this QR code with your phone to read the full guarantee online and register your product. It only takes a moment to fill out. Or visit: furniturebox.co.uk/our-guarantee

Furniturebox UK, Unit 6, St Modwen's Park,
Chippenham, SN15 5BD
Tel: 01747 863333 Email: sales@furniturebox.co.uk