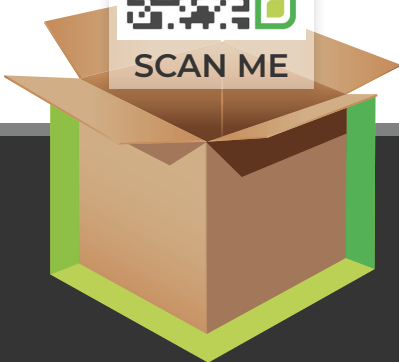
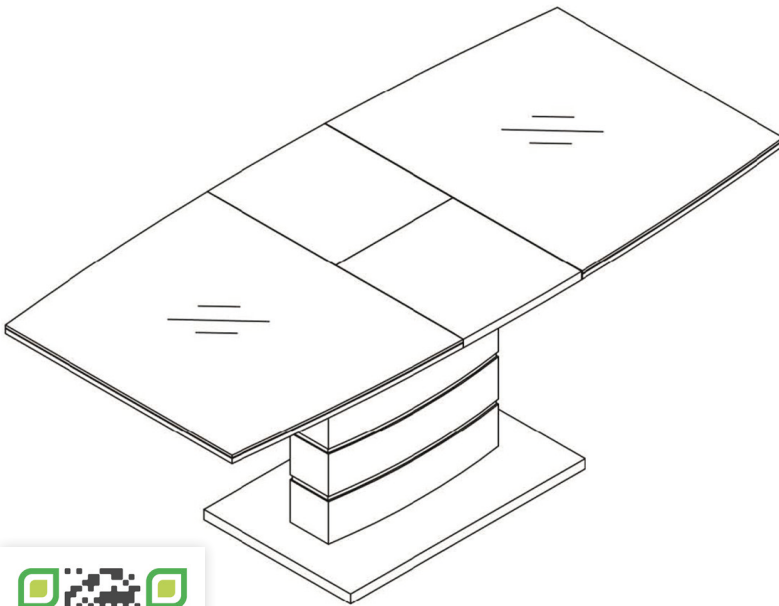




RENATO 140CM

ASSEMBLY GUIDE



www.furniturebox.co.uk

Scan QR code for more tips, advice
and assembly video or visit
furniturebox.co.uk/club/renato

Important - Please read these instructions fully before starting assembly



**SAFETY AND
CARE ADVICE**



NO POWER TOOLS

SAFETY AND CARE ADVICE

- Check you have all the components and tools listed.
- Remove all fittings from the plastic bags and separate them into their groups.
- We do not recommend the use of power drills/drivers for inserting screws, as this could damage the unit. Only use hand screwdrivers and Allen keys.
- Keep children and animals away from the work area, small parts could cause choking if swallowed.
- Make sure you have enough space to layout the parts before starting.
- Assemble the item as close to its final position (in the same room) as possible.
- Do not overtighten the nuts to avoid causing damage to the threads.
- Only clean using a damp cloth and mild detergent, do not use bleach or abrasive cleaners.
- From time to time check that there are no loose screws on this unit
- This product should not be discarded with household waste. Take to your local authority waste disposal centre



Follow us on Instagram
[@furniturebox_uk](https://www.instagram.com/furniturebox_uk)

IMPORTANT INFORMATION



GLASS



TWO
PERSON

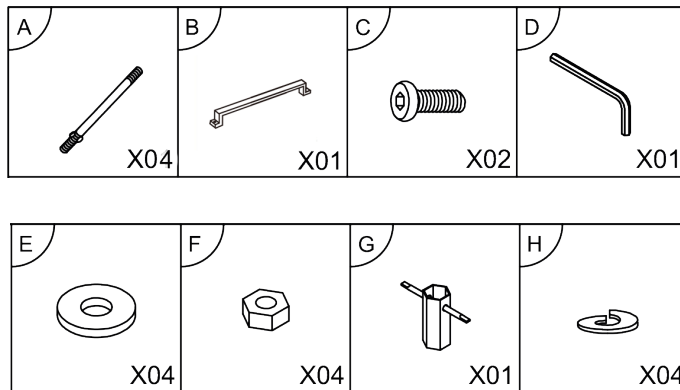


45 MINUTE
BUILD



MAXIMUM
CAPACITY 100Kg

PLEASE CHECK CAREFULLY AND MAKE SURE YOU HAVE ALL FITTINGS AND TOOLS LISTED BELOW BEFORE YOU START.



NOTE: The quantities above are the correct amount to complete the assembly.
In some cases more fittings may be supplied than are required.



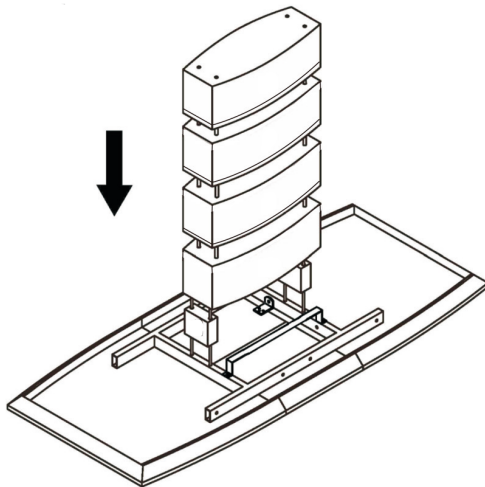
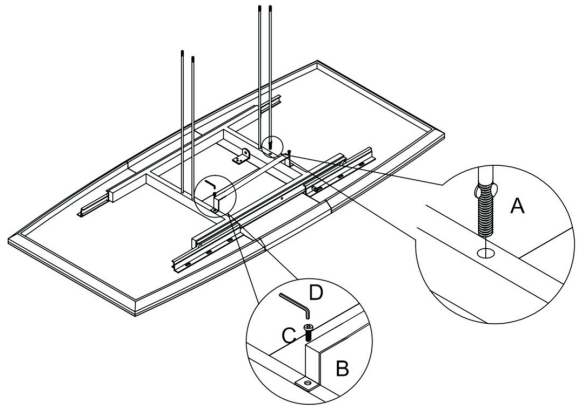
furniturebox

STEP 1

Use a clear, flat, soft surface to avoid bumps or scratches. Lay the table top on the floor, with the bottom side facing upwards.

Screw 4x table rods [A] into the corresponding holes on the tabletop metal frame, either side of the extension piece, as per diagram.

Next attach the supporting bar [B] into the corresponding holes on the tabletop metal frame and secure with the 2 x bolts [C] - 1 at either end. Use the Allen key provided (Part D) to tighten.



STEP 2

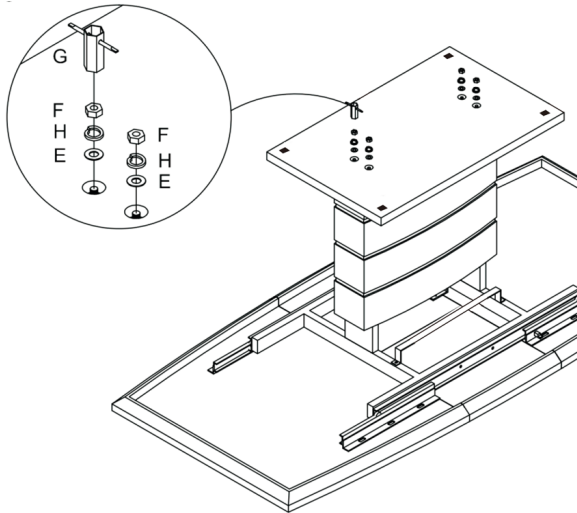
Thread the two supporting small blocks over the table rods first, one on each side.

Once these are on, thread on the 3 table leg blocks with chrome bands on, chrome bands facing towards you.

Then add the 4th table leg block on top



Follow us on Instagram
@furniturebox_uk



STEP 3

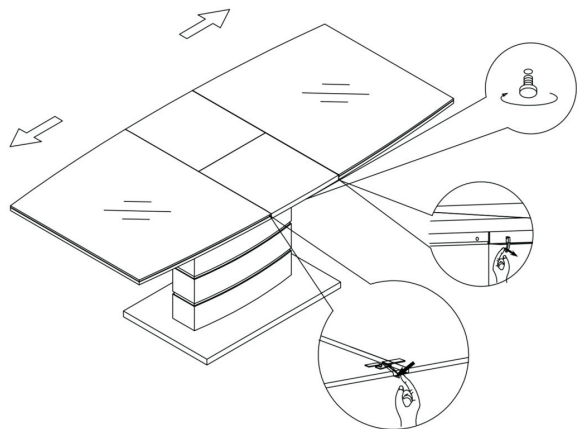
Once all table leg blocks have been added, align the table base holes over the table rods and secure in place.

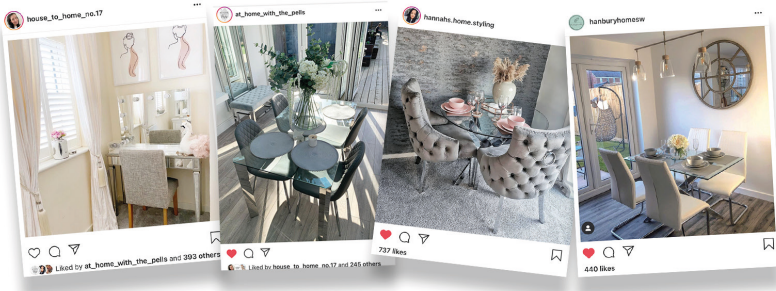
Use 1 x washer [E] followed by the split washer [H] then nut [F]. Use the spanner [G] to tighten. Repeat for 3 other holes in base.

STEP 4

ATTENTION: Check all nuts are securely tightened and then carefully lift the table over on to its base (this will require 2 people) and the table is ready to use.

To extend, release the 4 catches on the ender edge of the mechanism and gently slide table panels outwards. The middle panels will automatically lift and slot into place.





WE **L**♥**VE** INTERIORS! SHARE YOURS WITH US ON SOCIAL MEDIA

1. follow us on Instagram
2. post your interior
3. tag us to be featured



@furnitureboxUK



@furniturebox_uk



@furnitureboxuk

LOOKING GOOD!

Now you've assembled your product find out how to care for your item and keep it looking brand new.



Look for your care guide in the box or visit:
www.furniturebox.co.uk/club/care-guide

www.furniturebox.co.uk



OUR 1 YEAR GUARANTEE

our products come with a 1 year guarantee to give you peace of mind shopping at Furniturebox



WHAT THE GUARANTEE COVERS



PRE-INSERTED FIXINGS
e.g. lose metal threads



FAULTY JOINTS
e.g. legs bending



EXTERNAL FIXING FAULTS
e.g. metal discs removing from table top



STRUCTURAL INTEGRITY
e.g. the frame of the product



ACTIVATE YOUR GUARANTEE ONLINE

scan this QR code with your phone to read the full guarantee online and register your product. It only takes a moment to fill out. Or visit: furniturebox.co.uk/our-guarantee

Furniturebox UK, Beaumont Business Centre,
Woodlands Road, Mere, Wiltshire, BA12 6BT
Tel: 01747 863333 Email: sales@furniturebox.co.uk