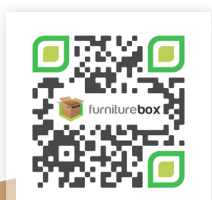
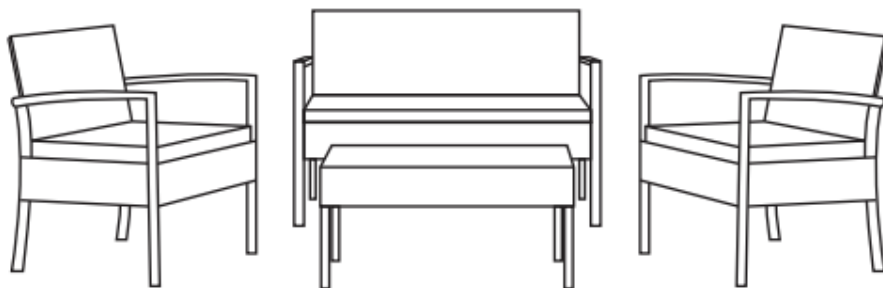




PORTO SET

ASSEMBLY GUIDE



SCAN ME

www.furniturebox.co.uk

Scan QR code for more tips,
advice and assembly video or visit
furniturebox.co.uk/club/portosofa

Important - Please read these instructions fully before starting assembly



SAFETY AND CARE ADVICE



NO POWER TOOLS

SAFETY AND CARE ADVICE

- Check you have all the components and tools listed.
- Remove all fittings from the plastic bags and separate them into their groups.
- We do not recommend the use of power drills/drivers for inserting screws, as this could damage the unit. Only use hand screwdrivers and Allen keys.
- Keep children and animals away from the work area, small parts could cause choking if swallowed.
- Make sure you have enough space to layout the parts before starting.
- Assemble the item as close to its final position (in the same room) as possible.
- Do not overtighten the nuts to avoid causing damage to the threads.
- Only clean using a damp cloth and mild detergent, do not use bleach or abrasive cleaners.
- From time to time check that there are no loose screws on this unit
- This product should not be discarded with household waste. Take to your local authority waste disposal centre



Follow us on Instagram
@furniturebox_uk

IMPORTANT INFORMATION



1 HOUR
BUILD



TWO
PERSON



GLASS



TABLE
MAXIMUM
CAPACITY 35Kg

PLEASE CHECK CAREFULLY AND MAKE SURE YOU HAVE ALL FITTINGS AND TOOLS LISTED BELOW BEFORE YOU START.



A. Backrest
Loveseat
1X



B. Seat
Loveseat
1X



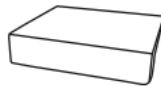
C1. Right Arm
3x



C2. Left Arm
3x



D. Backrest
Single Seater
2X



E. Seat
Single Seater
2X



F. Side Panel
2x



G. Front / Back Panel with Leg
2x



H. Glass Table Top
1x



I. Bolt M6
39x



J. Washer
39x



K. Allen Key
1x



L. Cushion
Single Seater
2x



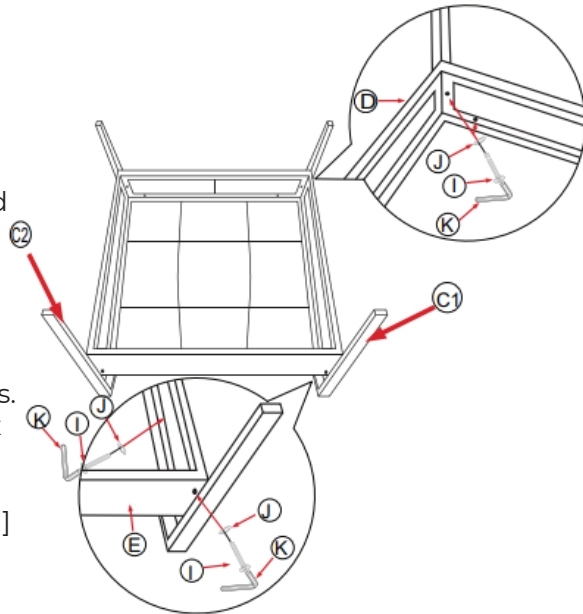
M. Cushion
Loveseat
1x

NOTE: The quantities above are the correct amount to complete the assembly. In some cases more fittings may be supplied than are required.

STEP 1

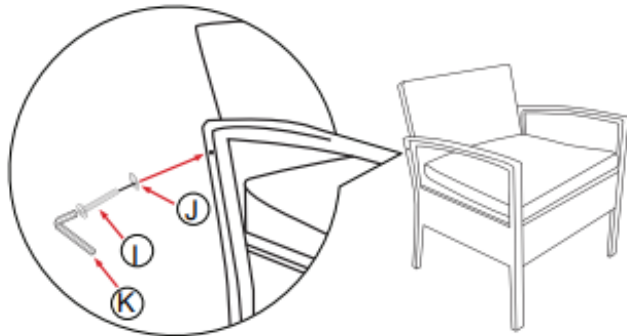
Use a clear, flat, soft surface to avoid bumps or scratches. Lay all your components and fixings out. Note: we recommend you don't fully tighten any of the bolts until everything is fully assembled.

First, assemble your chairs. Attach 1x right arm [C1], 1x left arm [C2] and 1x seat backrest [D] to 1x chair seat [E]. Use 8x washers [J] + bolts [I] around the seat base.



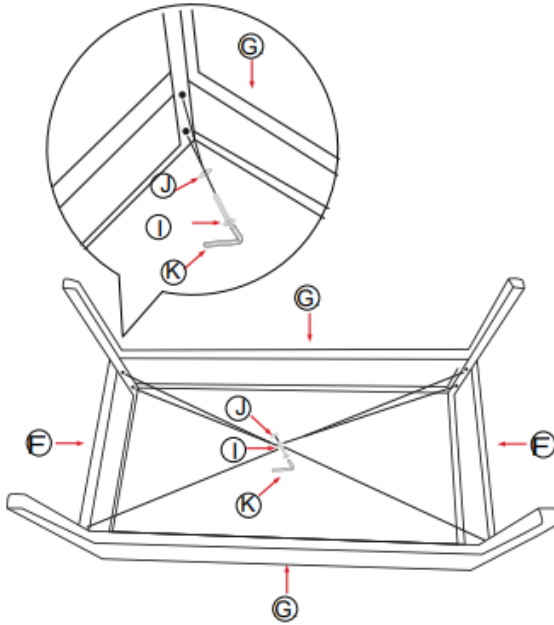
STEP 2

Flip chair onto its feet. Use another 2x washers [J] + bolts [I] higher up to secure the arms to the backrest. Each chair uses 10 x washers + bolts in total. Once all bolts are in place, fully tighten with Allen key [K], check stability and add seat cushion [L]. Repeat for the 2nd chair.



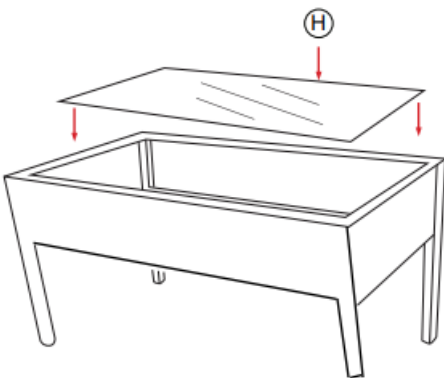
STEP 3

Assemble the table.
Connect 2x table legs [G] with 2x table side panels [F] using 2x washers [J] + bolts [I] at each leg - 8 in total. Once all bolts are in place, fully tighten with Allen key [K].



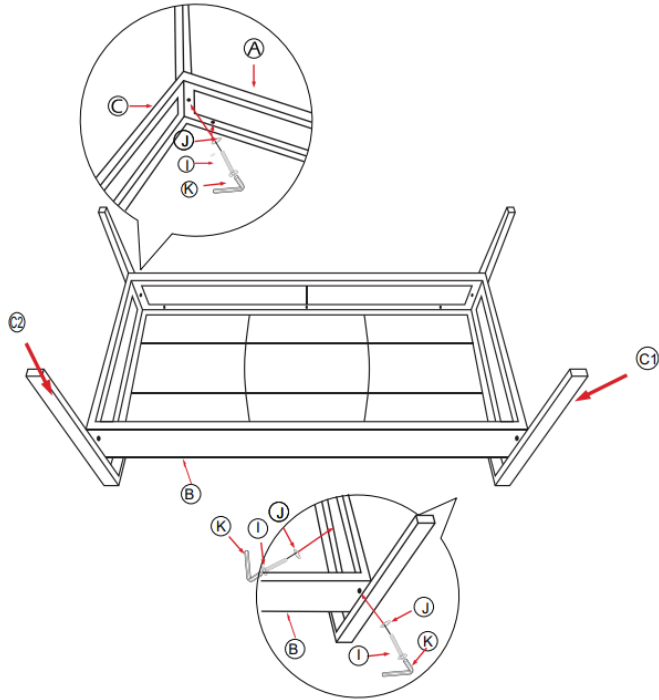
STEP 4

Carefully, and with help, flip the table onto its feet and check stability. Carefully lower glass tabletop [H] onto table frame.



STEP 5

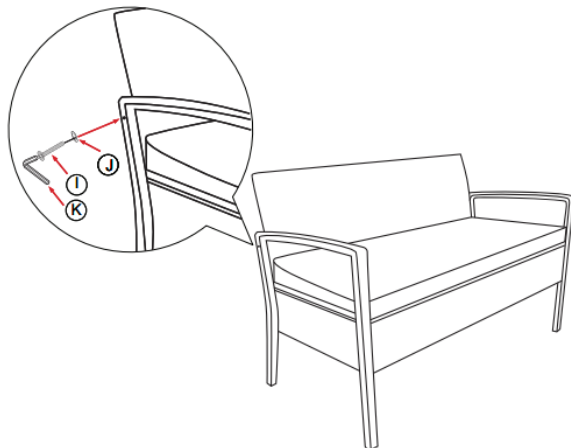
Assemble the sofa. Connect right arm [C1] and left arm [C2] to sofa seat [B] and sofa backrest [A] using 8x washers [J] + bolts [I] around the seat base.



STEP 6

Carefully, and with help, flip the sofa on to its feet. Use another 2x washers [J] + bolts [I] higher up to secure the arms to the sofa backrest. The sofa uses 10 x washers + bolts in total. Fully tighten all bolts using Allen key [K]. Check stability and add sofa cushion [B].

Your sofa, chairs and table set is now ready to use!



Follow us on Instagram
@furniturebox_uk

LOOKING GOOD!

Now you've assembled your product find out how to care for your item and keep it looking brand new.



Look for your care guide in the box or visit:
www.furniturebox.co.uk/club/care-guide



OUR 1 YEAR GUARANTEE

our products come with a 1 year guarantee to give you peace of mind shopping at Furniturebox



WHAT THE GUARANTEE COVERS



PRE-INSERTED FIXINGS
e.g. lose metal threads



FAULTY JOINTS
e.g. legs bending



EXTERNAL FIXING FAULTS
e.g. metal discs removing from table top



STRUCTURAL INTEGRITY
e.g. the frame of the product



ACTIVATE YOUR GUARANTEE ONLINE

scan this QR code with your phone to read the full guarantee online and register your product. It only takes a moment to fill out. Or visit: furniturebox.co.uk/our-guarantee

Furniturebox UK, Unit 6, St Modwen's Park,
Chippenham, SN15 5BD
Tel: 01747 863333 Email: sales@furniturebox.co.uk