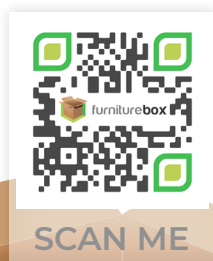


PARKER

ASSEMBLY GUIDE



www.furniturebox.co.uk

Scan QR code for more tips, advice
and assembly video or visit
furniturebox.co.uk/club/parker-chair

Important - Please read these instructions fully before starting assembly



**SAFETY AND
CARE ADVICE**



NO POWER TOOLS

SAFETY AND CARE ADVICE

- Check you have all the components and tools listed.
- Remove all fittings from the plastic bags and separate them into their groups.
- We do not recommend the use of power drills/drivers for inserting screws, as this could damage the unit. Only use hand screwdrivers and Allen keys.
- Keep children and animals away from the work area, small parts could cause choking if swallowed.
- Make sure you have enough space to layout the parts before starting.
- Assemble the item as close to its final position (in the same room) as possible.
- Do not overtighten the nuts to avoid causing damage to the threads.
- Only clean using a damp cloth and mild detergent, do not use bleach or abrasive cleaners.
- From time to time check that there are no loose screws on this unit
- This product should not be discarded with household waste. Take to your local authority waste disposal centre



Follow us on Instagram
[@furniturebox_uk](https://www.instagram.com/furniturebox_uk)

IMPORTANT INFORMATION












45 MINUTE
BUILD



MAXIMUM
CAPACITY 130Kg

PLEASE CHECK CAREFULLY AND MAKE SURE YOU HAVE ALL FITTINGS AND TOOLS LISTED BELOW BEFORE YOU START.

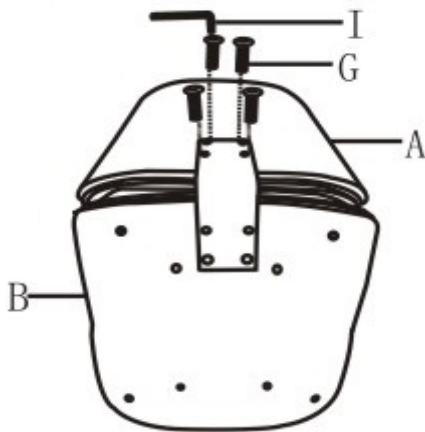
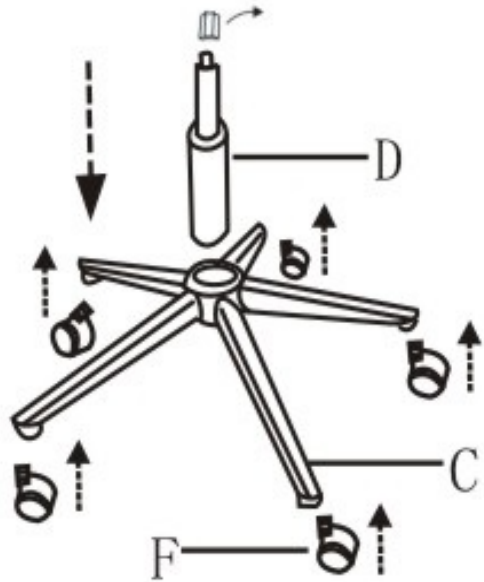
A*1 	G*4  M6*25MM
B*1 	H*4  M6*18MM
C*1 	I*1 

D*1 	
E*1 	
F*5 	

NOTE: The quantities above are the correct amount to complete the assembly. In some cases more fittings may be supplied than are required.

STEP 1

Use a clean, flat, soft surface to avoid any bumps or scratches. Attach the castor wheels [F] to each of the 5 leg spokes on base [C] - these should pop into place. Then place hydraulic lift [D] into the hollow within the legs base [C] (the thicker end of the hydraulic lift goes into the legs base). Remove the cap from the top of the hydraulic lift [D].



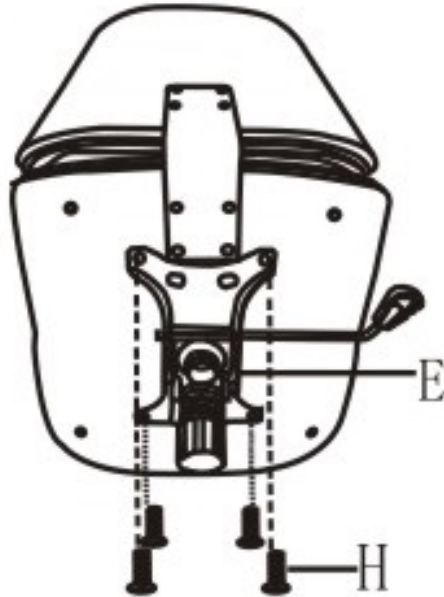
STEP 2

Attach seat back [A] to seat base [B] using 4x bolts [C]. Tighten with Allen key [I].



STEP 3

Attach lifting mechanism [E] to the bottom of the seat base [B]. Use 4x bolts [H] and tighten with Allen key [I].



STEP 4

ATTENTION: Carefully ensure your seat legs are upright, and then lower the seat onto the top of the hydraulic lift. Your weight, when you sit on it, will ensure the seat and legs remain securely connected. Check overall stability. Your chair is now ready to use.



WE **LOVE** INTERIORS! SHARE YOURS WITH US ON SOCIAL MEDIA

- 1. follow us on Instagram
- 2. post your interior
- 3. tag us to be featured



@furnitureboxUK



@furniturebox_uk



@furnitureboxuk

LOOKING GOOD!

Now you've assembled your product find out how to care for your item and keep it looking brand new.



Look for your care guide in the box or visit:
www.furniturebox.co.uk/club/care-guide

www.furniturebox.co.uk



OUR 1 YEAR GUARANTEE

our products come with a 1 year guarantee to give you peace of mind shopping at Furniturebox



WHAT THE GUARANTEE COVERS



PRE-INSERTED FIXINGS
e.g. lose metal threads



FAULTY JOINTS
e.g. legs bending



EXTERNAL FIXING FAULTS
e.g. metal discs removing from table top



STRUCTURAL INTEGRITY
e.g. the frame of the product



ACTIVATE YOUR GUARANTEE ONLINE

scan this QR code with your phone to read the full guarantee online and register your product. It only takes a moment to fill out. Or visit: [furniturebox.co.uk/our-guarantee](https://www.furniturebox.co.uk/our-guarantee)

Furniturebox UK, Beaumont Business Centre,
Woodlands Road, Mere, Wiltshire, BA12 6BT
Tel: 01747 863333 Email: sales@furniturebox.co.uk