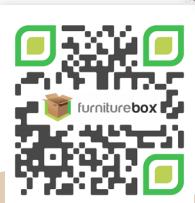
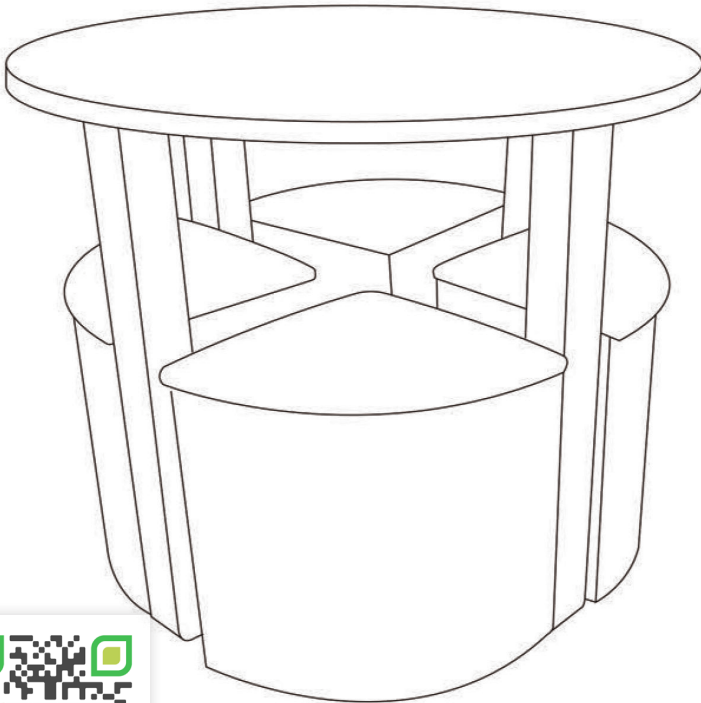


OXFORD OAK

ASSEMBLY GUIDE



SCAN ME



www.furniturebox.co.uk

Scan QR code for more tips, advice
and assembly video or visit
furniturebox.co.uk/club/oxford-oak

Important - Please read these instructions fully before starting assembly



SAFETY AND CARE ADVICE



NO POWER TOOLS

SAFETY AND CARE ADVICE

- Check you have all the components and tools listed.
- Remove all fittings from the plastic bags and separate them into their groups.
- We do not recommend the use of power drills/drivers for inserting screws, as this could damage the unit. Only use hand screwdrivers and Allen keys.
- Keep children and animals away from the work area, small parts could cause choking if swallowed.
- Make sure you have enough space to layout the parts before starting.
- Assemble the item as close to its final position (in the same room) as possible.
- Do not overtighten the nuts to avoid causing damage to the threads.
- Only clean using a damp cloth and mild detergent, do not use bleach or abrasive cleaners.
- From time to time check that there are no loose screws on this unit
- This product should not be discarded with household waste. Take to your local authority waste disposal centre



IMPORTANT INFORMATION



45 MINUTE
BUILD



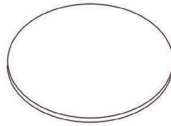
TWO
PERSON



MAXIMUM
CAPACITY 100Kg

PLEASE CHECK CAREFULLY AND MAKE SURE YOU HAVE ALL FITTINGS AND TOOLS LISTED BELOW BEFORE YOU START.

1 x1
Table Top



2 x4
Table Leg



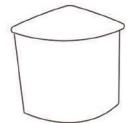
3 x2
Short Cross Rail








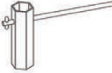


4 x 1
Long Cross Rail



5 x4
Stool



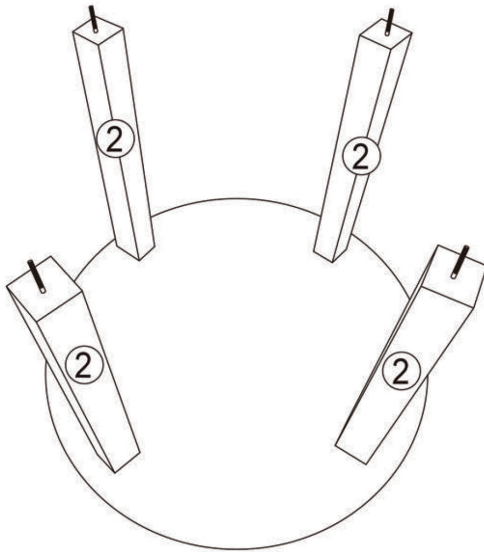
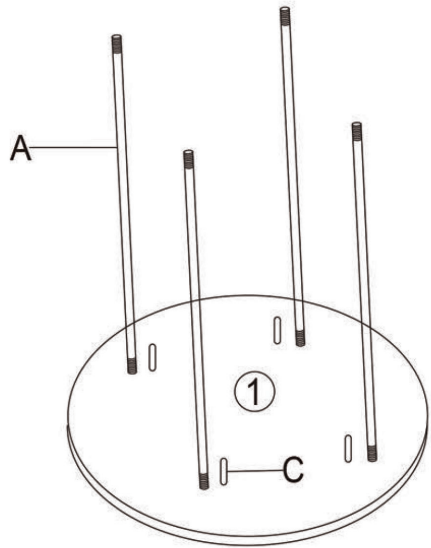
<p>A Long Rod</p>  <p>M8x735mm x4</p>	<p>B Short Rod</p>  <p>M8x160mm x1</p>	<p>C Dowel</p>  <p>M8x40mm x12</p>	<p>D Washer</p>  <p>M8x18mm x6</p>
<p>E Nut</p>  <p>M8 x6</p>	<p>F U-Washer</p>  <p>x2</p>	<p>G Wrench</p>  <p>x1</p>	<p>H</p>  <p>x1</p>

NOTE: The quantities above are the correct amount to complete the assembly. In some cases more fittings may be supplied than are required.



STEP 1

Use a clear, flat, soft surface to avoid bumps or scratches. Place the table top [1] on the floor with the holes facing up. Screw 4 x rods [A] into the holes and a 4x wooden dowels [C].



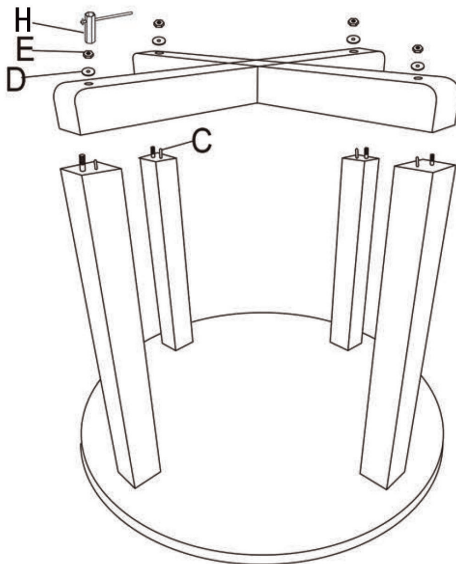
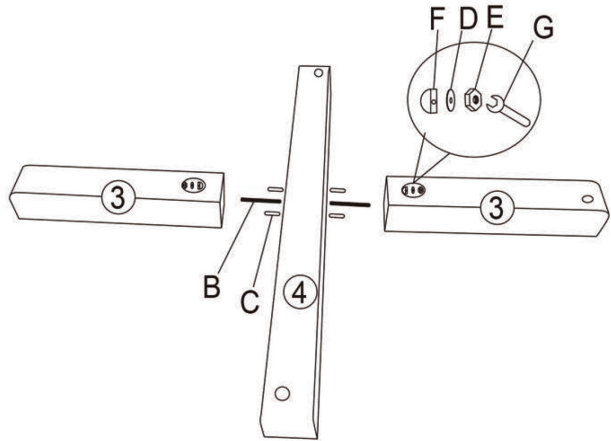
STEP 2

Place the 4 x table legs [2] over the rods.



STEP 3

Connect the 2x short cross rails [3] to the long cross rail [4] by inserting 1x rod [B] and 2x wooden dowels [C] to either side of the long cross rail, and slotting the short cross rail pieces onto these. Secure with U-Washer [F] followed by flat washer [D] and nut [E] on both sides, through the holes in the short cross rails. Tighten with wrench [G]



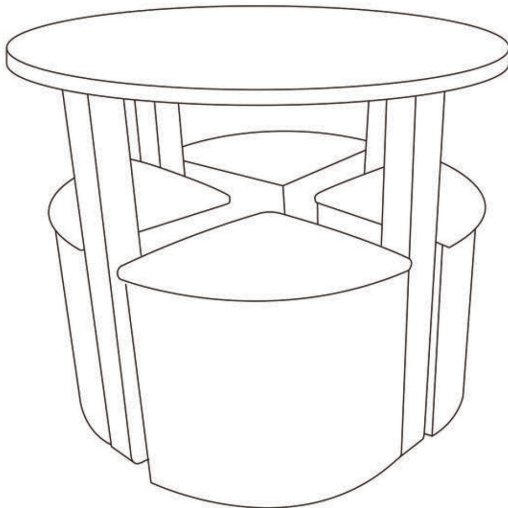
STEP 4

Insert 1 x wooden dowel [C] into the bottom of each table leg. Attach the table base to the table legs and secure the long rods through the legs to the base using 1x flat washer [D] followed by 1x nut [E] on each leg. Tighten with spanner [H].



STEP 5

Carefully, and with help, turn your completed table over so it's now the correct way up. Ensure stability.



STEP 4

Slot the pre-assembled stools into the gaps between the table legs.

LOOKING GOOD!

Now you've assembled your product find out how to care for your item and keep it looking brand new.



Look for your care guide in the box or visit:
www.furniturebox.co.uk/club/care-guide



OUR 1 YEAR GUARANTEE

our products come with a 1 year guarantee to give you peace of mind shopping at Furniturebox



WHAT THE GUARANTEE COVERS



PRE-INSERTED FIXINGS

e.g. lose metal threads



FAULTY JOINTS

e.g. legs bending



EXTERNAL FIXING FAULTS

e.g. metal discs removing from table top



STRUCTURAL INTEGRITY

e.g. the frame of the product



ACTIVATE YOUR GUARANTEE ONLINE

scan this QR code with your phone to read the full guarantee online and register your product. It only takes a moment to fill out. Or visit: furniturebox.co.uk/our-guarantee

Furniturebox UK, Beaumont Business Centre,
Woodlands Road, Mere, Wiltshire, BA12 6BT
Tel: 01747 863333 Email: sales@furniturebox.co.uk