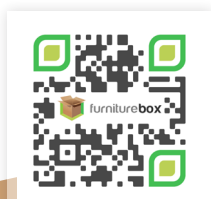




# OSLO OFFICE CHAIR

## ASSEMBLY GUIDE



SCAN ME

[www.furniturebox.co.uk](http://www.furniturebox.co.uk)

Scan QR code for more tips,  
advice and assembly video or visit  
[furniturebox.co.uk/club/oslooffice](http://furniturebox.co.uk/club/oslooffice)

**Important - Please read these instructions fully before starting assembly**



### **SAFETY AND CARE ADVICE**



### **NO POWER TOOLS**

#### **SAFETY AND CARE ADVICE**

- Check you have all the components and tools listed.
- Remove all fittings from the plastic bags and separate them into their groups.
- We do not recommend the use of power drills/drivers for inserting screws, as this could damage the unit. Only use hand screwdrivers and Allen keys.
- Keep children and animals away from the work area, small parts could cause choking if swallowed.
- Make sure you have enough space to layout the parts before starting.
- Assemble the item as close to its final position (in the same room) as possible.
- Do not overtighten the nuts to avoid causing damage to the threads.
- Only clean using a damp cloth and mild detergent, do not use bleach or abrasive cleaners.
- From time to time check that there are no loose screws on this unit
- This product should not be discarded with household waste. Take to your local authority waste disposal centre



**Follow us on Instagram**  
**@furniturebox\_uk**

## IMPORTANT INFORMATION



45 MINUTE  
BUILD













TWO  
PERSON



MAXIMUM  
CAPACITY  
200Kg

PLEASE CHECK CAREFULLY AND MAKE SURE YOU HAVE ALL FITTINGS AND TOOLS LISTED BELOW BEFORE YOU START.

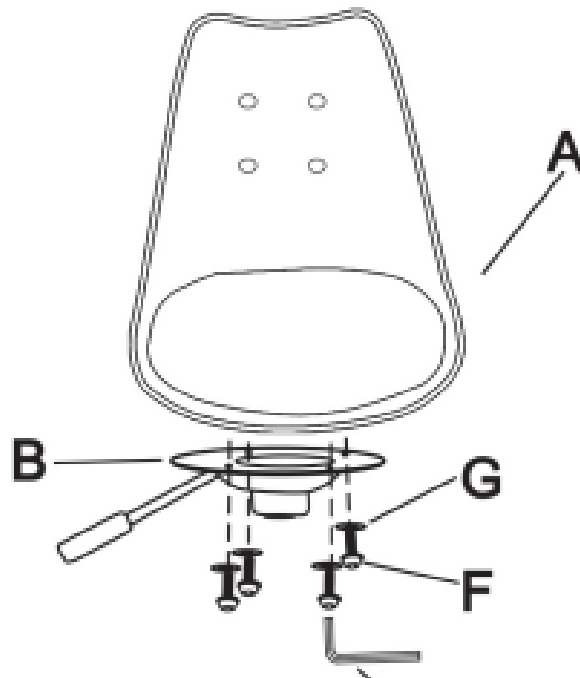
A x1	B x1	C x1	D x1	E x5
				
F x4	G x4	H x1	I x1	J x1
				

**NOTE:** The quantities above are the correct amount to complete the assembly. In some cases more fittings may be supplied than are required.

## STEP 1

Use a clean, flat, soft surface to avoid any bumps or scratches.

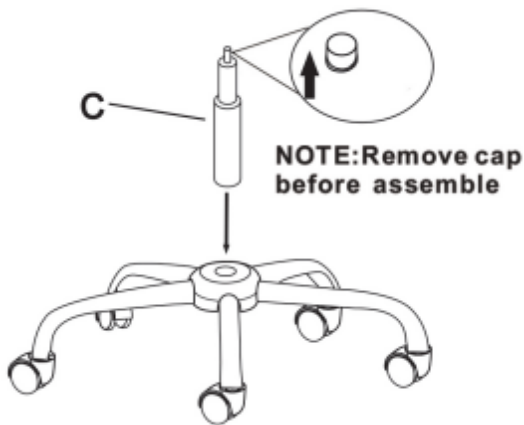
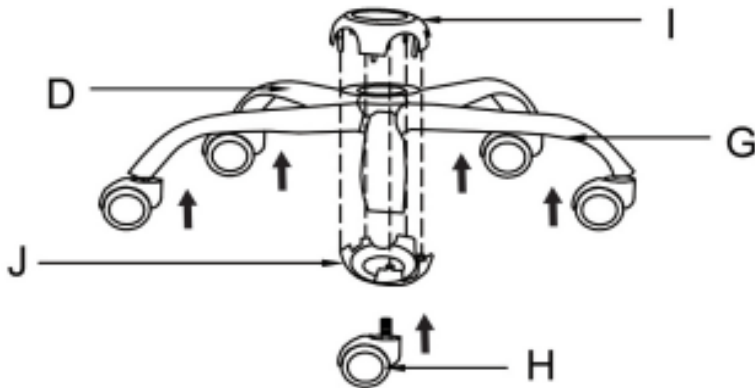
Attach the seat riser mechanism [B] to the chair seat [A]. Align the pre-drilled holes and connect using 4x washers [G] followed by 4 x bolts [F]. Tighten with Allen key [H].



Follow us on Instagram  
@furniturebox\_uk

## STEP 2

Attach the 5x castor wheels [E] to the legs [D] - these will pop into place. Then snap leg cap [I] to the top of the legs and leg base cap [J] to the bottom of the legs.

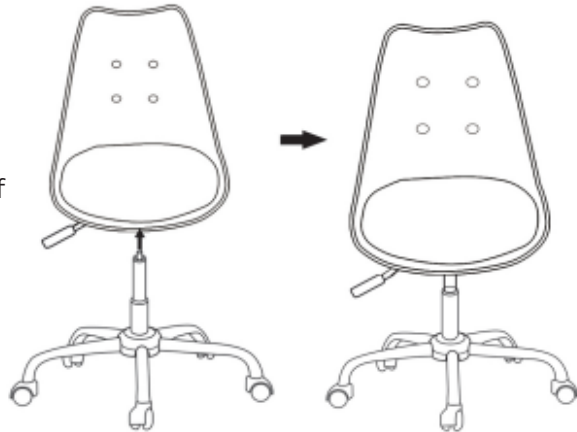


## STEP 3

Connect the hydraulic lift mechanism [C] to the chair leg. Part [C] will drop into the hole in the leg cap [I]. Remember to remove the cap from the top of the hydraulic lift.

## STEP 4

Align the seat riser [B] (which should be attached to your seat as per step 1) with the top of the hydraulic lift [C] and lower the seat onto it.



## STEP 5

Check stability. Your chair is now ready to use!



Follow us on Instagram  
@furniturebox\_uk

# LOOKING GOOD!

Now you've assembled your product find out how to care for your item and keep it looking brand new.



Look for your care guide in the box or visit:  
[www.furniturebox.co.uk/club/care-guide](http://www.furniturebox.co.uk/club/care-guide)



## OUR 2 YEAR\* GUARANTEE

our products come with a 2 year guarantee to give you peace of mind shopping at Furniturebox

\*excludes some garden furniture items which have a 1 year guarantee



## WHAT THE GUARANTEE COVERS



**PRE-INSERTED FIXINGS**  
e.g. lose metal threads



**FAULTY JOINTS**  
e.g. legs bending



**EXTERNAL FIXING FAULTS**  
e.g. bonding/glue



**STRUCTURAL INTEGRITY**  
e.g. the frame of the product



## ACTIVATE YOUR GUARANTEE ONLINE

scan this QR code with your phone to read the full guarantee online and register your product. It only takes a moment to fill out. Or visit: [furniturebox.co.uk/our-guarantee](https://furniturebox.co.uk/our-guarantee)

Furniturebox UK, Unit 6, St Modwen's Park,  
Chippenham, SN15 5BD  
Tel: 01747 863333 Email: [sales@furniturebox.co.uk](mailto:sales@furniturebox.co.uk)