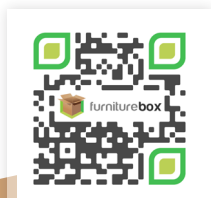
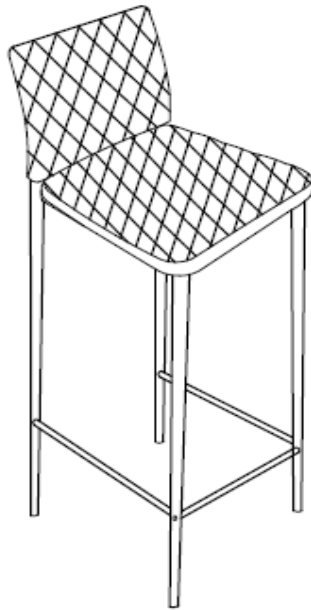




MILAN

ASSEMBLY GUIDE



SCAN ME

www.furniturebox.co.uk

Scan QR code for more tips,
advice and assembly video or visit
furniturebox.co.uk/club/milan-barstool

Important - Please read these instructions fully before starting assembly



SAFETY AND CARE ADVICE



NO POWER TOOLS

SAFETY AND CARE ADVICE

- Check you have all the components and tools listed.
- Remove all fittings from the plastic bags and separate them into their groups.
- We do not recommend the use of power drills/drivers for inserting screws, as this could damage the unit. Only use hand screwdrivers and Allen keys.
- Keep children and animals away from the work area, small parts could cause choking if swallowed.
- Make sure you have enough space to layout the parts before starting.
- Assemble the item as close to its final position (in the same room) as possible.
- Do not overtighten the nuts to avoid causing damage to the threads.
- Only clean using a damp cloth and mild detergent, do not use bleach or abrasive cleaners.
- From time to time check that there are no loose screws on this unit
- This product should not be discarded with household waste. Take to your local authority waste disposal centre



Follow us on Instagram
@furniturebox_uk

IMPORTANT INFORMATION
















30 MINUTE
BUILD



MAXIMUM
CAPACITY 150Kg

PLEASE CHECK CAREFULLY AND MAKE SURE YOU HAVE ALL FITTINGS AND TOOLS LISTED BELOW BEFORE YOU START.
PLEASE BE AWARE THAT QUANTITIES ARE PER CHAIR

 X08	 X02	 X02	 X04	 X06	 X10	 X01
 X01	 X01	 X01	 X01	 X01	 X02	

NOTE: The quantities above are the correct amount to complete the assembly. In some cases more fittings may be supplied than are required.



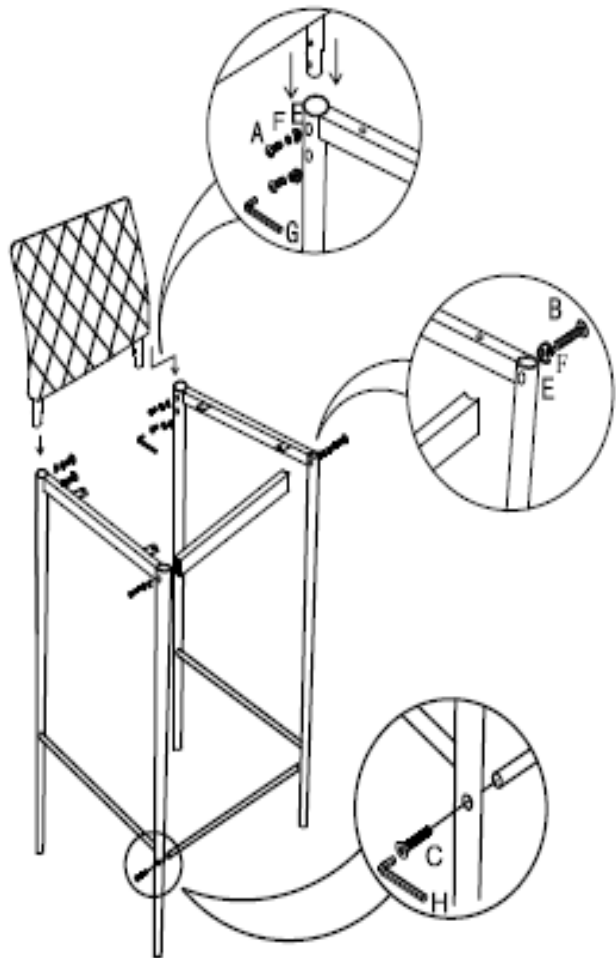
STEP 1

Attach the top cross-bar piece between the 2 separate leg frame pieces using 1 x curved washer [E] followed by 1x spring washer [F] and then 1 x screw [B] on each side. Finger tighten screws until all pieces are in the correct place.

Then attach the foot bar rest at the bottom front of the leg frame - use 1 x screw [C] on each side.

Next, slot the seat back into the holes of the leg frame. Secure each side with 1x curved washer [E] followed by 1 x spring washer [F] and then 1 x screw [A].

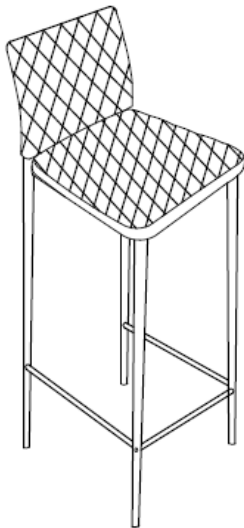
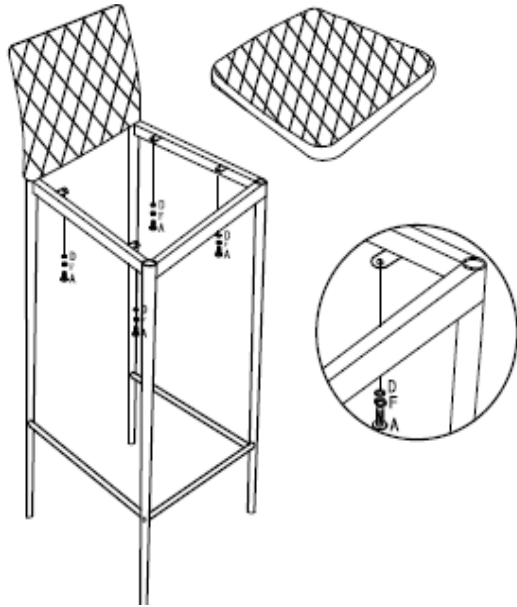
Once all components are in place, tighten screws with Allen keys [G and H]



STEP 2

Attach the seat pad. Carefully align with holes in the underside of the seat pad with the holes in the seat frame and connect using 1 x washer [D] followed by 1 x spring washer [F] then 1 x screw [A] for each of the 4 holes.

Once all screws are in place and finger tight, you can fully tighten them with Allen key [G].



STEP 3

Check stability. Your stool is now ready to use!



WE **L♥VE** INTERIORS! SHARE YOURS WITH US ON SOCIAL MEDIA

1. follow us on Instagram
2. post your interior
3. tag us to be featured



@furnitureboxUK



@furniturebox_uk



@furnitureboxuk

LOOKING GOOD!

Now you've assembled your product find out how to care for your item and keep it looking brand new.



Look for your care guide in the box or visit:
www.furniturebox.co.uk/club/care-guide

www.furniturebox.co.uk



OUR 1 YEAR GUARANTEE

our products come with a 1 year guarantee to give you peace of mind shopping at Furniturebox



WHAT THE GUARANTEE COVERS



PRE-INSERTED FIXINGS
e.g. lose metal threads



FAULTY JOINTS
e.g. legs bending



EXTERNAL FIXING FAULTS
e.g. metal discs removing from table top



STRUCTURAL INTEGRITY
e.g. the frame of the product



ACTIVATE YOUR GUARANTEE ONLINE

scan this QR code with your phone to read the full guarantee online and register your product. It only takes a moment to fill out. Or visit: furniturebox.co.uk/our-guarantee

Furniturebox UK, Unit 6, St Modwen's Park,
Chippenham, SN15 5BD
Tel: 01747 863333 Email: sales@furniturebox.co.uk