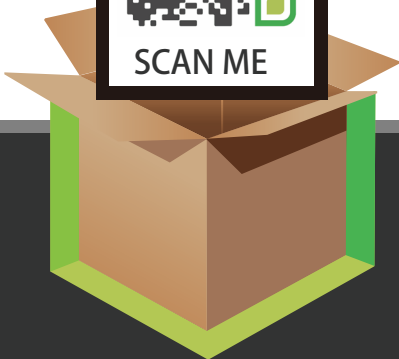
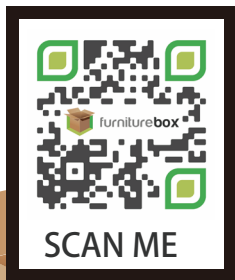
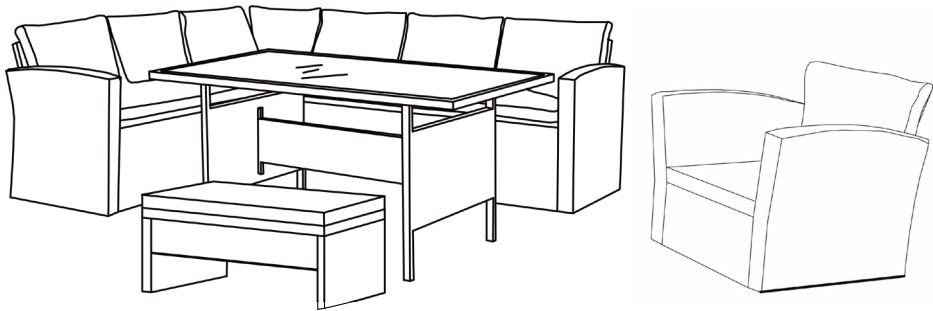




MARBELLA

ASSEMBLY GUIDE



www.furniturebox.co.uk

Scan QR code for more tips, advice
and assembly video or visit
furniturebox.co.uk/club/marbella

Important - Please read these instructions fully before starting assembly



**SAFETY AND
CARE ADVICE**



NO POWER TOOLS

SAFETY AND CARE ADVICE

- Check you have all the components and tools listed.
- Remove all fittings from the plastic bags and separate them into their groups.
- We do not recommend the use of power drills/drivers for inserting screws, as this could damage the unit. Only use hand screwdrivers and Allen keys.
- Keep children and animals away from the work area, small parts could cause choking if swallowed.
- Make sure you have enough space to layout the parts before starting.
- Assemble the item as close to its final position (in the same room) as possible.
- Do not overtighten the nuts to avoid causing damage to the threads.
- Only clean using a damp cloth and mild detergent, do not use bleach or abrasive cleaners.
- From time to time check that there are no loose screws on this unit
- This product should not be discarded with household waste. Take to your local authority waste disposal centre



Follow us on Instagram
@furniturebox_uk

IMPORTANT INFORMATION



45 MINUTE
BUILD



TWO
PERSON



MAXIMUM
CAPACITY 100Kg



WE **LOVE** INTERIORS! SHARE
YOURS WITH US ON SOCIAL MEDIA

1. follow us on Instagram
2. post your interior
3. tag us to be featured



@furnitureboxUK



@furniturebox_uk



@furnitureboxuk

PLEASE CHECK CAREFULLY AND MAKE SURE YOU HAVE ALL
FITTINGS AND TOOLS LISTED BELOW BEFORE YOU START.

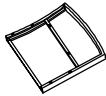
NOTE: The quantities above are the correct amount to complete the assembly. In
some cases more fittings may be supplied than are required.

www.furniturebox.co.uk

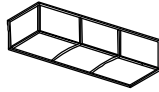


furniturebox

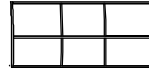
Construct your furniture on a nice flat, soft surface like a carpet, rug, or the lawn, to avoid any bumps and scratches. First, lay out all your pieces and check you have all the items listed on the inventory.



A:1PC



B:1PC



C:1PC



M6*35

Q:4PCS



M6*40

R:7PCS



S:1PC

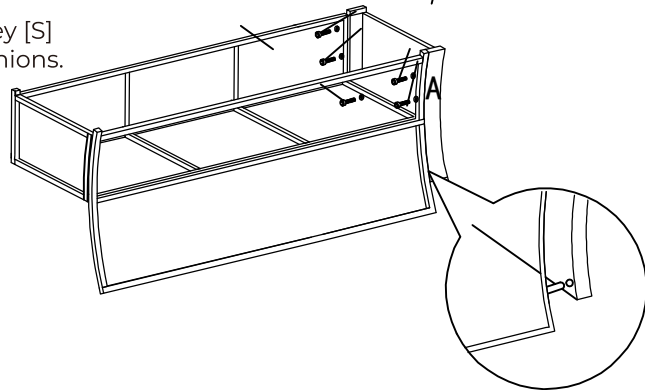
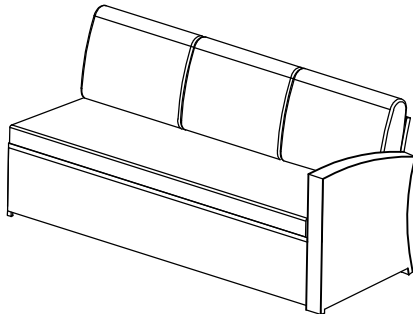
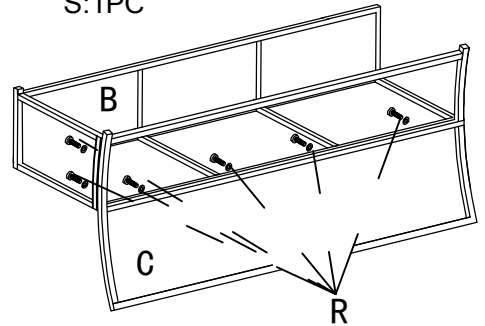
LEFT HAND SOFA: STEP 1

Don't fully tighten any of the bolts until everything is in place.

Connect the sofa arm [A] and seat [B] to the backrest [C] using bolts and washer [R + Q]. Use 6x washer + bolts to attach backrest [C] to seat [B], then 5x washer + bolts to connect backrest and seat to the arm [A].

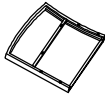
The top of the arm [A] will clip onto the backrest for added stability, as shown in the zoomed in illustration.

Tighten all the bolts with the Allen key [S] provided. Add the seat and back cushions.

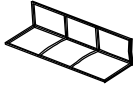


Follow us on Instagram
@furniturebox_uk

FULL ASSEMBLY INSTRUCTIONS



D:1PC



E:1PC



F:1PC



G:1PC



M6*35

Q:8PCS



M6*40

R:6PCS



S:1PC

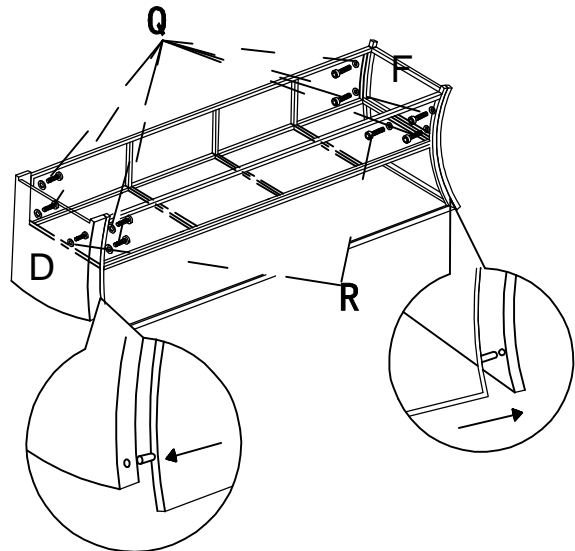
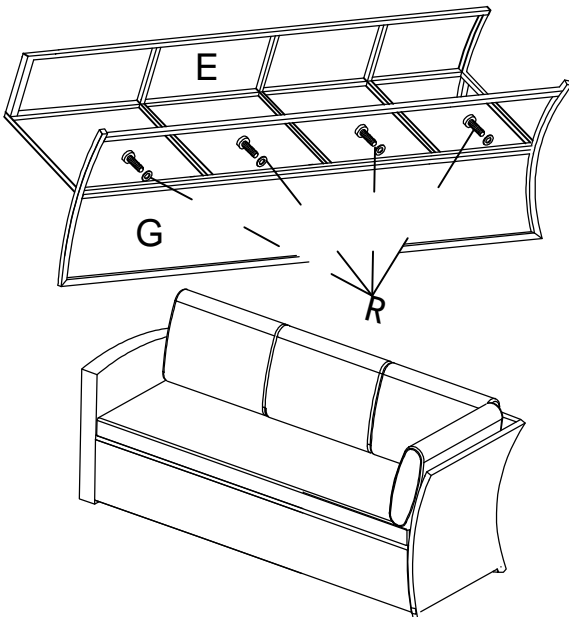
RIGHT HAND SOFA: STEP 1

Connect the sofa arms [D + F] and seat [E] to the backrest [G] using bolts and washers [R + Q].

Use 4x washer + bolts to attach backrest [G] to seat [E]. Use 5x washer + bolts to connect backrest and seat to the thicker arm [D]. Use 5x washer + bolts to connect backrest and seat to the thinner arm [F].

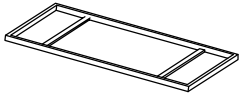
The top of the arms [D + F] will clip onto the backrest for added stability, as shown in the zoomed in illustrations.

Tighten all the bolts with the Allen key [S] provided. Add the seat and back cushions.

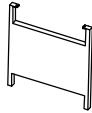




furniturebox



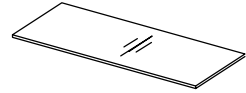
H:1PC



I:2PCS



J:1PC



K:1PC



M6*30

P:4PCS



M6*20

O:4PCS

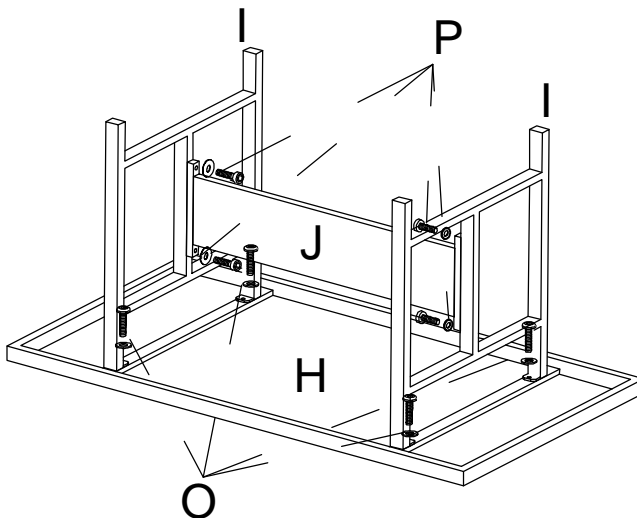


S:1PC

TABLE: STEP 1

Place the tabletop [H] face-down on your flat surface and attach the 2x legs [I] using 4x bolt + washer sets [O] - double check you're using the correct bolts. Don't fully tighten the bolts yet.

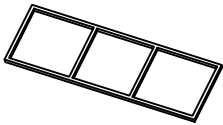
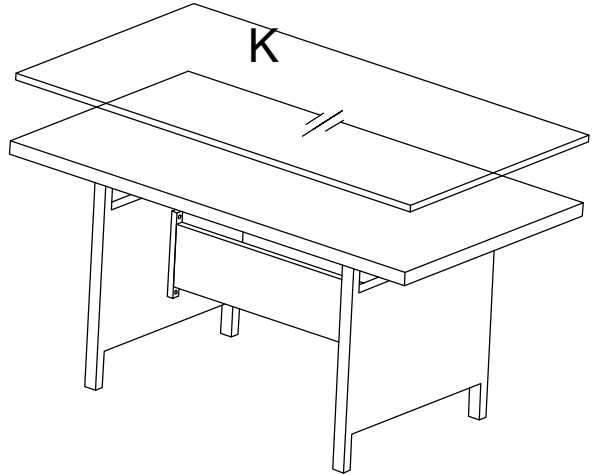
Connect the crossbar [J] between the two legs [I] using 4x washer + bolt sets [P] - double check you're using the correct bolts. Once everything is in place, go ahead and fully tighten all the bolts with the Allen key [S] provided, but take care not to over-tighten.



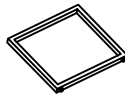
Follow us on Instagram
@furniturebox_uk

TABLE: STEP 2

Carefully, and with help, flip your table upright onto its feet and check for stability. Then, carefully lower the tempered glass tabletop onto the table frame. Your table is now complete!



L:1PC



M:2PCS



N:2PCS



M6*40

R:14PCS

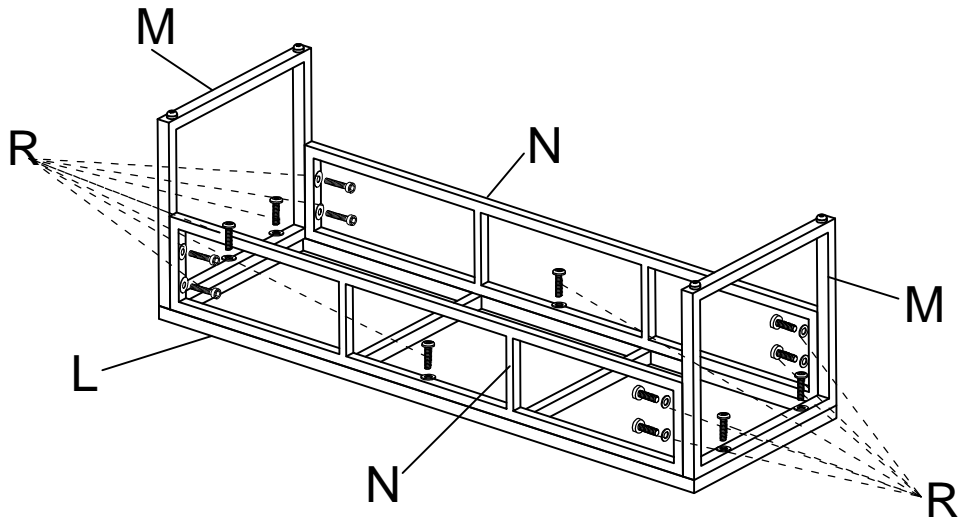


S:1PC

BENCH: STEP 1

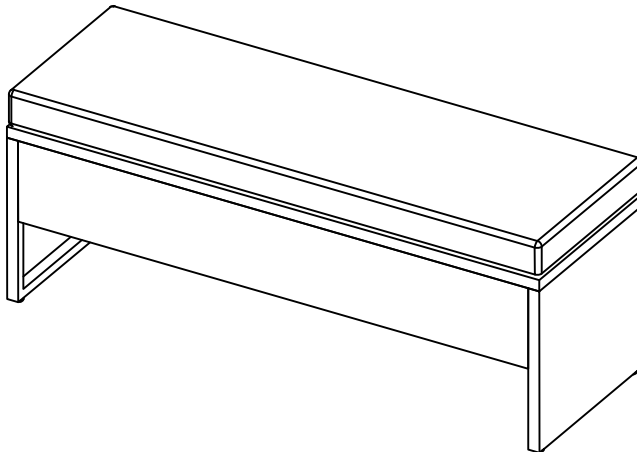
Don't fully tighten any of the bolts until all components are in place. Place the bench seat frame [L] face down on your flat surface and attach the 2x end legs [M] and 2x cross bars [N]. We recommend you start with 1x end leg [M], then attach both the cross bars [N], and then the final end leg [M]. Use a total of 14x washer + bolt sets [R] to assemble - double check you're using the correct bolts here.

Once everything is in place, go ahead and tighten with the Allen key [S] provided (but take care not to over-tighten).

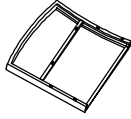


BENCH: STEP 2

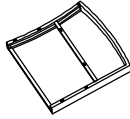
Carefully, and with help, flip the bench onto its feet and check stability. Add the seat cushion. Your bench is now complete!



FULL ASSEMBLY INSTRUCTIONS



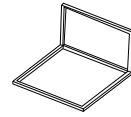
A:1PC



D:1PC



O:1PC



P:1PC

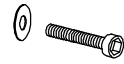


M6*40

R: 5PCS



S:1PC



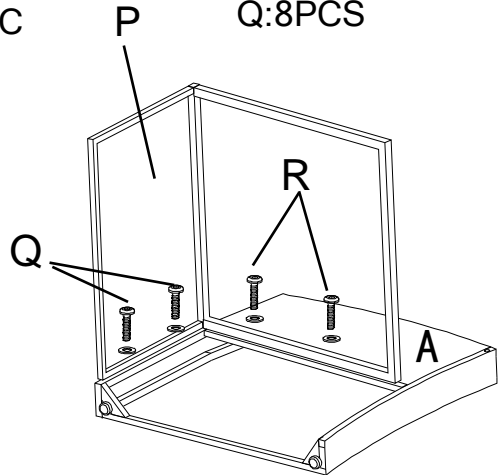
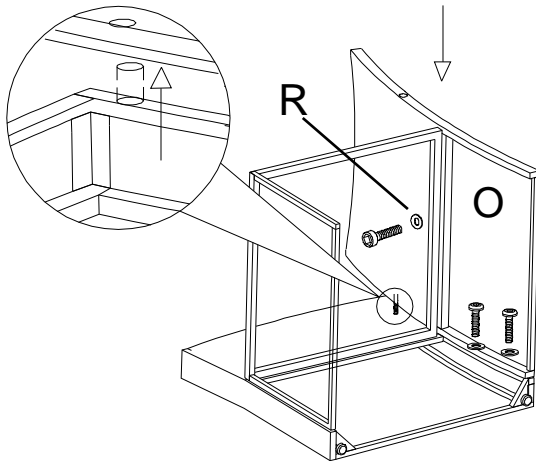
M6*35

Q:8PCS

CHAIR: STEP 1

Don't fully tighten any of the bolts until everything is in place.

Attach seat base frame [L] to right arm frame [A] using 4x bolts + washer sets [R/Q].



CHAIR: STEP 2

Carefully place the chair onto its feet and check Attach the seat back [O] to the seat base [P] and arm [A] using 1xwasher + bolt sets [R] & 2xwasher + bolt sets [Q].

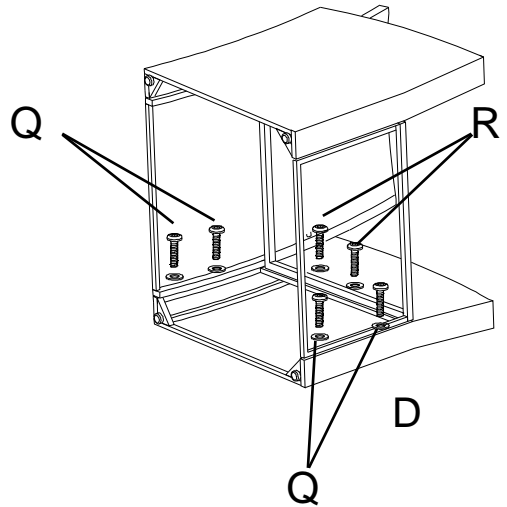


CHAIR: STEP 3

Attach the final arm [D] using 4x washer + bolt sets [Q] & 2x washer + bolt sets [R]. The tops of each arm piece will click into the back to provide extra stability, as shown in the zoomed-in illustration.

Once everything is in place, go ahead and tighten all the bolts with the Allen key [S] provided, but take care not to over-tighten.

Carefully flip your seat onto its feet and check for stability. Add the seat cushion. Your chair is now complete!



LOOKING GOOD!

Now you've assembled your garden furniture find out how to care for your item and keep it looking brand new.



Look for your care guide in the box or visit:
www.furniturebox.co.uk/club/care-guide

www.furniturebox.co.uk



OUR 1 YEAR GUARANTEE

our products come with a 1 year guarantee to give you peace of mind shopping at Furniturebox



WHAT THE GUARANTEE COVERS



PRE-INSERTED FIXINGS
e.g. lose metal threads



FAULTY JOINTS
e.g. legs bending



EXTERNAL FIXING FAULTS
e.g. metal discs removing
from table top



STRUCTURAL INTEGRITY
e.g. the frame of the
product



ACTIVATE YOUR GUARANTEE ONLINE

scan this QR code with your phone to read the full guarantee online and register your product. It only takes a moment to fill out. Or visit: furniturebox.co.uk/our-guarantee

Furniturebox UK, Unit 6, St Modwen's Park,
Chippenham, SN15 5BD
Tel: 01747 863333 Email: sales@furniturebox.co.uk