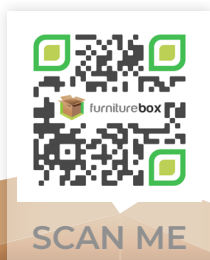
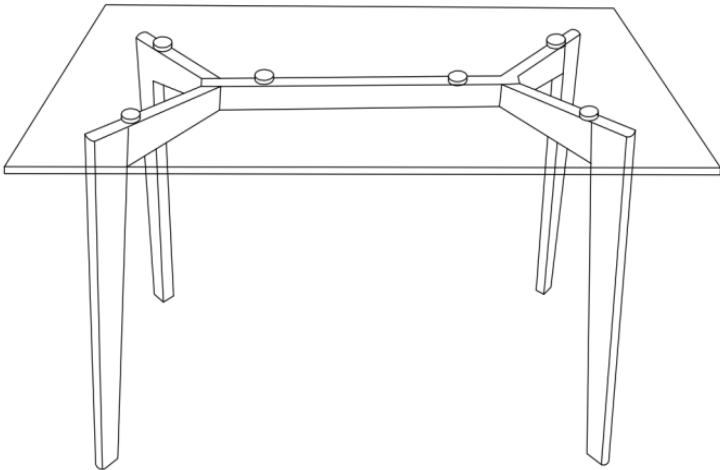


# MALMO DINING TABLE

## ASSEMBLY GUIDE



[www.furniturebox.co.uk](http://www.furniturebox.co.uk)

Scan QR code for more tips,  
advice and assembly video or visit  
[furniturebox.co.uk/club/malmodining](http://furniturebox.co.uk/club/malmodining)

**Important - Please read these instructions fully before starting assembly**



**SAFETY AND  
CARE ADVICE**



**NO POWER TOOLS**

**SAFETY AND CARE ADVICE**

- Check you have all the components and tools listed.
- Remove all fittings from the plastic bags and separate them into their groups.
- We do not recommend the use of power drills/drivers for inserting screws, as this could damage the unit. Only use hand screwdrivers and Allen keys.
- Keep children and animals away from the work area, small parts could cause choking if swallowed.
- Make sure you have enough space to layout the parts before starting.
- Assemble the item as close to its final position (in the same room) as possible.
- Do not overtighten the nuts to avoid causing damage to the threads.
- Only clean using a damp cloth and mild detergent, do not use bleach or abrasive cleaners.
- From time to time check that there are no loose screws on this unit
- This product should not be discarded with household waste. Take to your local authority waste disposal centre



# IMPORTANT INFORMATION



45 MINUTE  
BUILD



GLASS



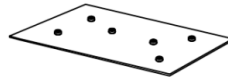
TWO  
PERSON



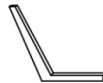
MAXIMUM  
CAPACITY  
100Kg

PLEASE CHECK CAREFULLY AND MAKE SURE YOU HAVE ALL FITTINGS AND TOOLS LISTED BELOW BEFORE YOU START.

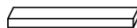
1 x1










2 x4



3 x1



A  x8	B  x4	C  4# x1	D  5# x1
E  x2	F  x2	G  x2	

**NOTE:** The quantities above are the correct amount to complete the assembly. In some cases more fittings may be supplied than are required.

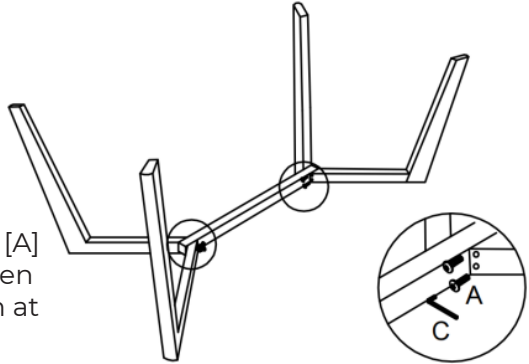


furniturebox

## STEP 1

Use a clear, flat, soft surface to avoid bumps or scratches.

First connect the 4x legs [2] to leg centre piece [3]. Align the pre-drilled holes. Use 2 x bolts [A] on each leg - 8 in total. Use Allen key [C] but do not fully tighten at this stage.

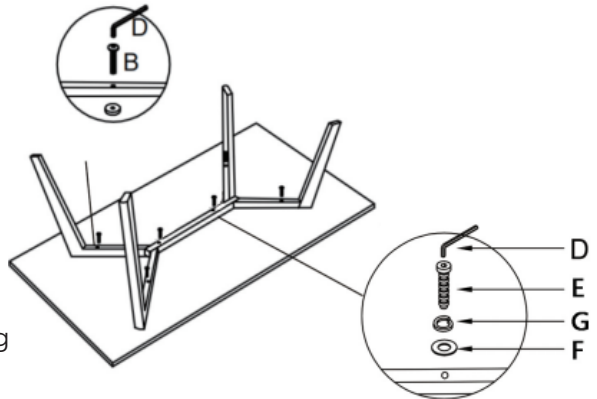


## STEP 2

Attach the legs to the tabletop. Place tabletop [1] face down on a flat, soft surface. Align the legs with the pre-drilled holes. Connect the legs to table top. **Note that 2 different bolt types are used here.**

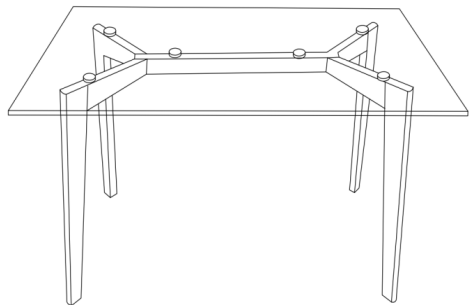
For the two holes on the central beam, use 2x spring washers [G], 2x washers [F] and 2x bolts [E].

For the four outer holes, use 4x bolts B only. Tighten with Allen key [D]. Tighten all leg bolts with Allen Key [D].



## STEP 3

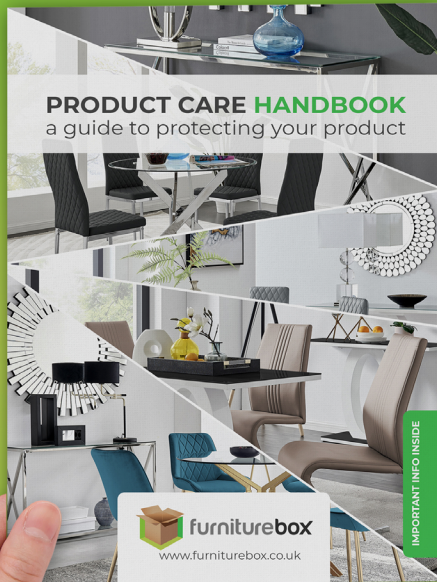
Carefully, and with help, flip your table onto its feet. Check for stability. Your table is now ready to use!



Follow us on Instagram  
@furniturebox\_uk

# LOOKING GOOD!

Now you've assembled your product find out how to care for your item and keep it looking brand new.



Look for your care guide in the box or visit:  
[www.furniturebox.co.uk/club/care-guide](http://www.furniturebox.co.uk/club/care-guide)



## OUR 2 YEAR\* GUARANTEE

our products come with a 2 year guarantee to give you peace of mind shopping at Furniturebox

\*excludes some garden furniture items which have a 1 year guarantee



## WHAT THE GUARANTEE COVERS



**PRE-INSERTED FIXINGS**  
e.g. lose metal threads



**FAULTY JOINTS**  
e.g. legs bending



**EXTERNAL FIXING FAULTS**  
e.g. bonding/glue



**STRUCTURAL INTEGRITY**  
e.g. the frame of the product



## ACTIVATE YOUR GUARANTEE ONLINE

scan this QR code with your phone to read the full guarantee online and register your product. It only takes a moment to fill out. Or visit: [furniturebox.co.uk/our-guarantee](https://furniturebox.co.uk/our-guarantee)

Furniturebox UK, Unit 6, St Modwen's Park,  
Chippenham, SN15 5BD  
Tel: 01747 863333 Email: [sales@furniturebox.co.uk](mailto:sales@furniturebox.co.uk)