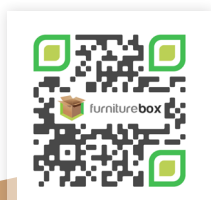
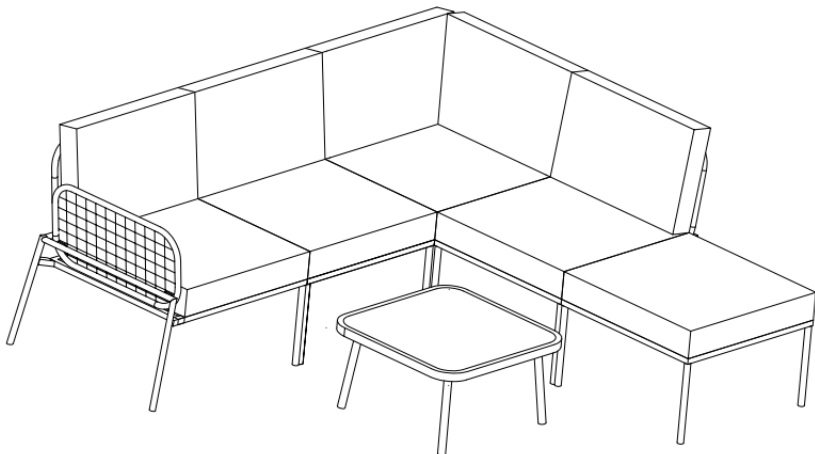




MALDIVES SOFA

ASSEMBLY GUIDE



SCAN ME



www.furniturebox.co.uk

Scan QR code for more tips,
advice and assembly video or visit
furniturebox.co.uk/club/maldives

Important - Please read these instructions fully before starting assembly



SAFETY AND CARE ADVICE



NO POWER TOOLS

SAFETY AND CARE ADVICE

- Check you have all the components and tools listed.
- Remove all fittings from the plastic bags and separate them into their groups.
- We do not recommend the use of power drills/drivers for inserting screws, as this could damage the unit. Only use hand screwdrivers and Allen keys.
- Keep children and animals away from the work area, small parts could cause choking if swallowed.
- Make sure you have enough space to layout the parts before starting.
- Assemble the item as close to its final position (in the same room) as possible.
- Do not overtighten the nuts to avoid causing damage to the threads.
- Only clean using a damp cloth and mild detergent, do not use bleach or abrasive cleaners.
- From time to time check that there are no loose screws on this unit
- This product should not be discarded with household waste. Take to your local authority waste disposal centre



Follow us on Instagram
@furniturebox_uk

IMPORTANT INFORMATION



1 HOUR
BUILD




















TWO
PERSON



MAXIMUM
CAPACITY
150Kg

PLEASE CHECK CAREFULLY AND MAKE SURE YOU HAVE ALL FITTINGS AND TOOLS LISTED BELOW BEFORE YOU START.

A		1PC		
B		4PC		
C	 M5*15	8PC	K	 2 PC
D		8PC	H	 3 PC
E		1PC	L	 1PC
F		1PC	C	 M5*15 8 PC
G		2 PC	J	 M5*35 8 PC
H		2 PC	D	 16 PC
C	 M5*15	2PC		
J	 M5*35	2PC		
D		4PC		

NOTE: The quantities above are the correct amount to complete the assembly. In some cases more fittings may be supplied than are required.

STEP 1

Use a clean, flat, soft surface to avoid any bumps or scratches.

Assemble the table.

Place tabletop frame [A] face down on the flat surface. Attach 4x legs [B] by aligning the pre-drilled holes and securing with 2x washers [D] followed by 2x bolts [C] on each leg - 8 in total.

Tighten with Allen key [E].

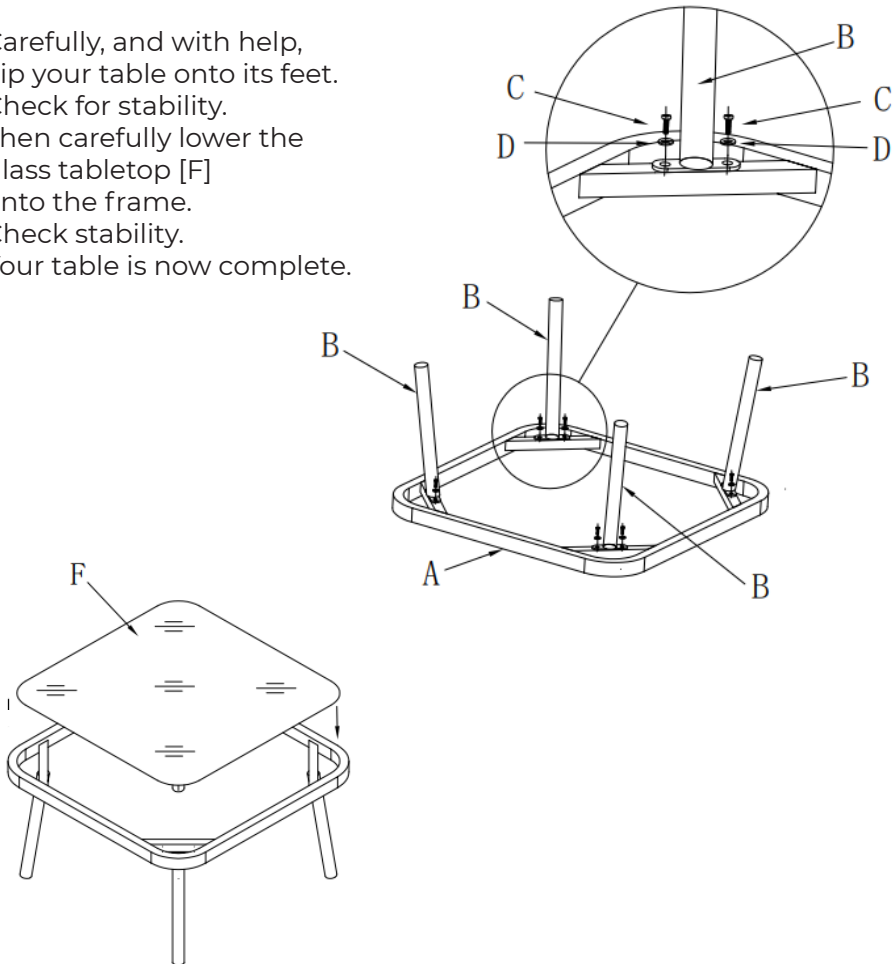
Carefully, and with help, flip your table onto its feet.

Check for stability.

Then carefully lower the glass tabletop [F] onto the frame.

Check stability.

Your table is now complete.



STEP 2

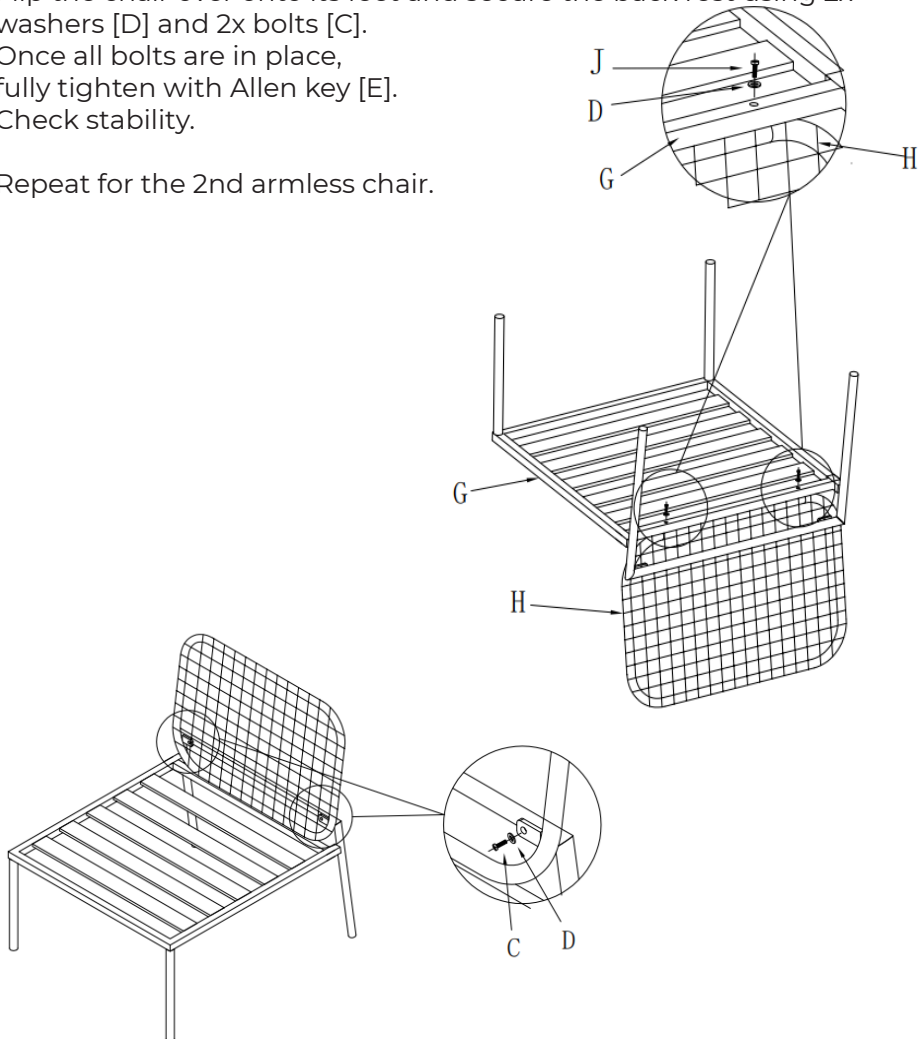
Assemble the armless chairs - there are 2 of these.

Flip seat base [G] over and attach seat back [H]. Align the pre-drilled holes and connect back rest to the underside of the seat with 2x washers [D] followed by 2x bolt [J].

Flip the chair over onto its feet and secure the back rest using 2x washers [D] and 2x bolts [C].

Once all bolts are in place, fully tighten with Allen key [E]. Check stability.

Repeat for the 2nd armless chair.

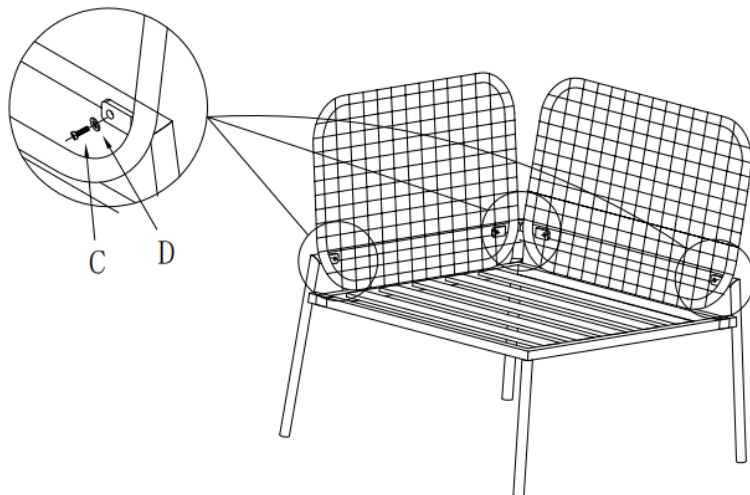
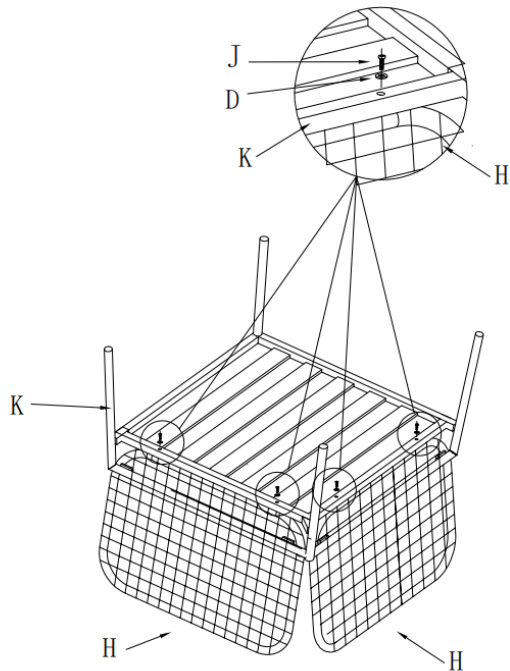


STEP 3

Assemble the corner chair.

Flip corner seat base [K] over and attach 2x seat backs [H]. Align the pre-drilled holes and connect back rest to the underside of the seat with 4x washers [D] followed by 4x bolt [J].

Flip the chair over onto its feet and secure the back rests using 4x washers [D] and 4x bolts [C]. Once all bolts are in place, fully tighten with Allen key [E]. Check stability.



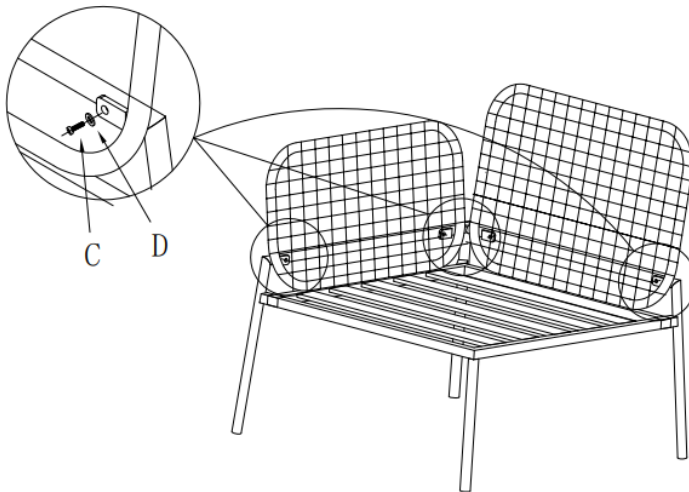
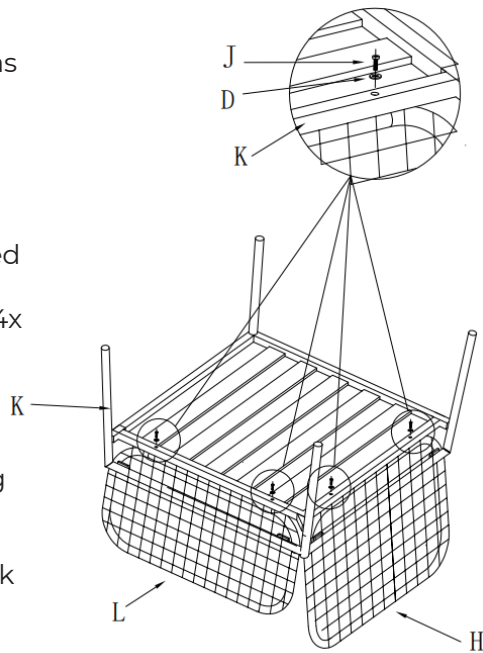
Follow us on Instagram
@furniturebox_uk

STEP 4

Assemble the end chair (this has a shorter arm than the corner chair)

Flip corner seat base [K] over and attach 1x seat back [H] & 1x seat arm [L]. Align the pre-drilled holes and connect back rest to the underside of the seat with 4x washers [D] followed by 4x bolt [J].

Flip the chair over onto its feet and secure the back rests using 4x washers [D] and 4x bolts [C]. Once all bolts are in place, fully tighten with Allen key [E]. Check stability.

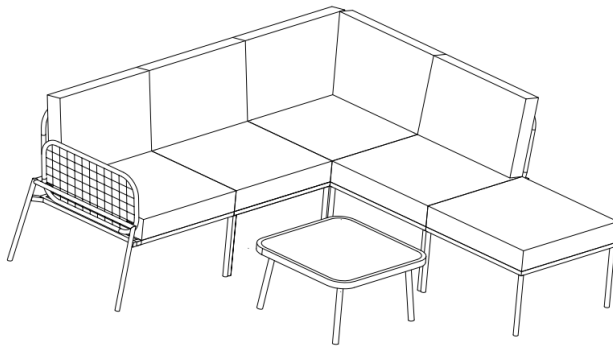




STEP 5

Arrange your chairs and the remaining chaise stool (no assembly required) as per the illustration.

Your sofa set is now ready to use!



Follow us on Instagram
[@furniturebox_uk](https://www.instagram.com/furniturebox_uk)

LOOKING GOOD!

Now you've assembled your product find out how to care for your item and keep it looking brand new.



Look for your care guide in the box or visit:
www.furniturebox.co.uk/club/care-guide



OUR 1 YEAR GUARANTEE

our products come with a 1 year guarantee to give you peace of mind shopping at Furniturebox



WHAT THE GUARANTEE COVERS



PRE-INSERTED FIXINGS
e.g. lose metal threads



FAULTY JOINTS
e.g. legs bending



EXTERNAL FIXING FAULTS
e.g. metal discs removing
from table top



STRUCTURAL INTEGRITY
e.g. the frame of the
product



ACTIVATE YOUR GUARANTEE ONLINE

scan this QR code with your phone to read the full guarantee online and register your product. It only takes a moment to fill out. Or visit: furniturebox.co.uk/our-guarantee

Furniturebox UK, Unit 6, St Modwen's Park,
Chippenham, SN15 5BD
Tel: 01747 863333 Email: sales@furniturebox.co.uk