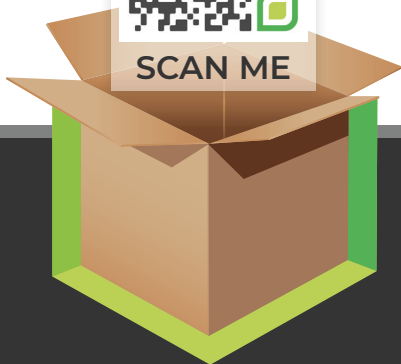
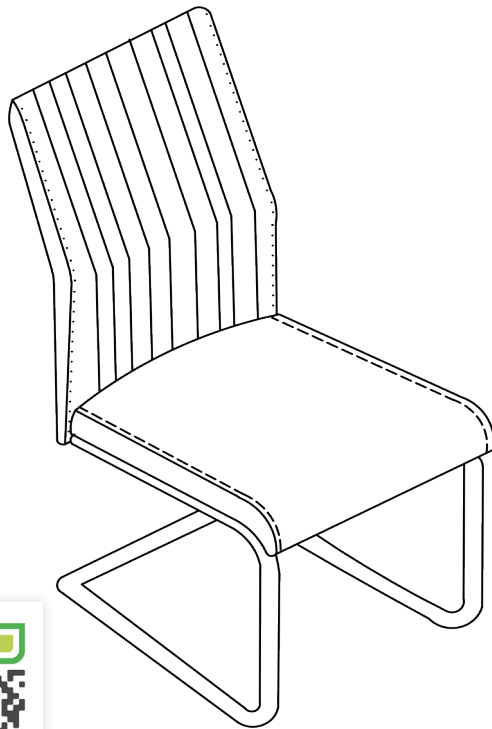




LORENZO CHAIR

ASSEMBLY GUIDE



www.furniturebox.co.uk

Scan QR code for more tips,
advice and assembly video or visit
furniturebox.co.uk/club/lorenzo

Important - Please read these instructions fully before starting assembly



**SAFETY AND
CARE ADVICE**



NO POWER TOOLS

SAFETY AND CARE ADVICE

- Check you have all the components and tools listed.
- Remove all fittings from the plastic bags and separate them into their groups.
- We do not recommend the use of power drills/drivers for inserting screws, as this could damage the unit. Only use hand screwdrivers and Allen keys.
- Keep children and animals away from the work area, small parts could cause choking if swallowed.
- Make sure you have enough space to layout the parts before starting.
- Assemble the item as close to its final position (in the same room) as possible.
- Do not overtighten the nuts to avoid causing damage to the threads.
- Only clean using a damp cloth and mild detergent, do not use bleach or abrasive cleaners.
- From time to time check that there are no loose screws on this unit
- This product should not be discarded with household waste. Take to your local authority waste disposal centre



Follow us on Instagram
@furniturebox_uk

IMPORTANT INFORMATION



30 MINUTE
BUILD

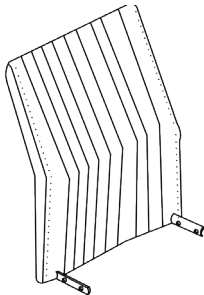


ONE
PERSON

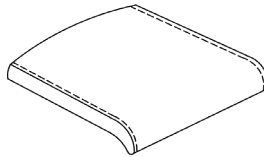


MAXIMUM
CAPACITY 130Kg

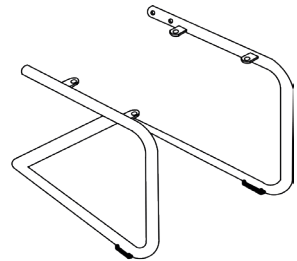
PLEASE CHECK CAREFULLY AND MAKE SURE YOU HAVE ALL FITTINGS AND TOOLS LISTED BELOW BEFORE YOU START.






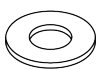




1 Back rest x 1



3 Seat pad x 1



2 Leg frame x 1

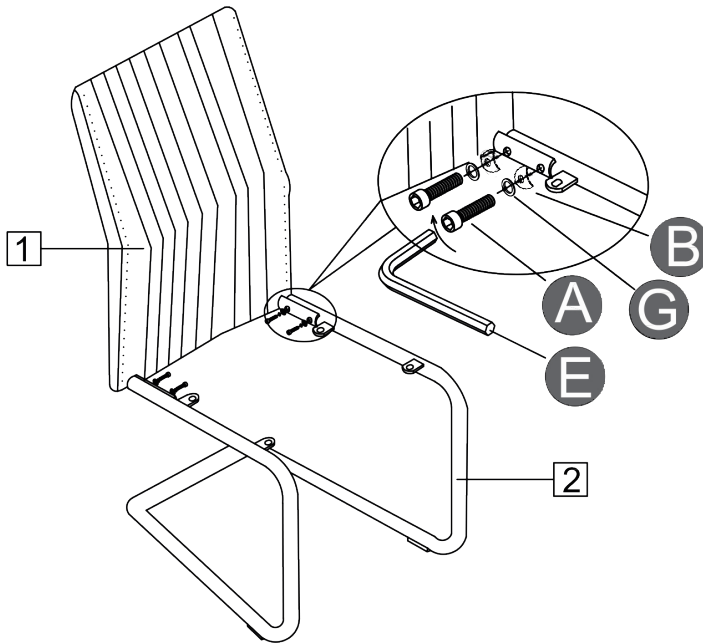
<p>A</p>  <p>M8x20mm Allen Screw X4</p>	<p>B</p>  <p>M8x22mm Metal Washer X4</p>	<p>C</p>  <p>M6x20mm Allen Screw X4</p>	<p>D</p>  <p>M6x16mm Metal Washer X4</p>
<p>E</p>  <p>M6 mm Allen Key X1</p>	<p>F</p>  <p>M4 mm Allen Key X1</p>	<p>G</p>  <p>M8x12mm Spring Washer X4</p>	<p>H</p>  <p>M6x10mm Spring Washer X4</p>

NOTE: The quantities above are the correct amount to complete the assembly. In some cases more fittings may be supplied than are required.



STEP 1

Place the leg frame [2] on the floor
Insert backrest [1] into the leg frame [2]
Using fixings (A), (B) & (G) tighten the
backrest onto the legs.



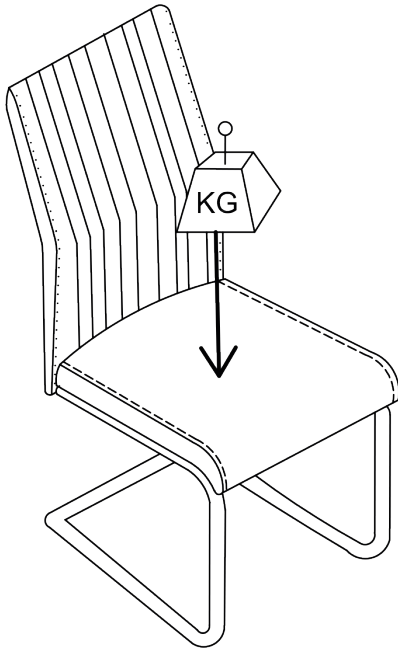
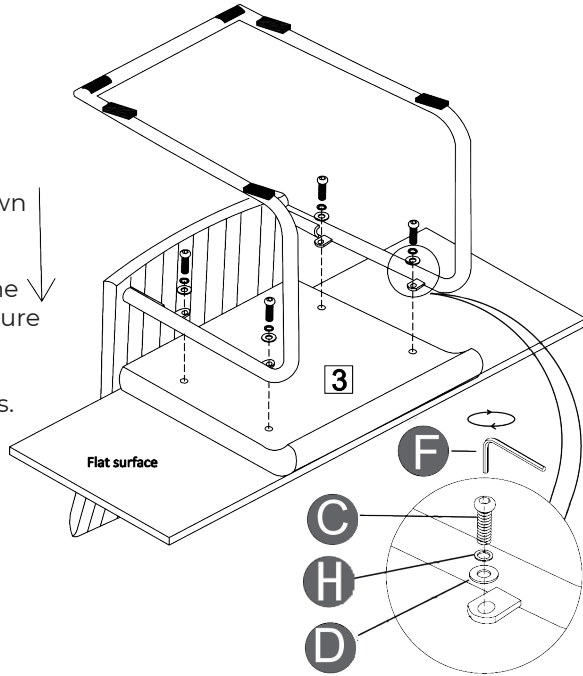
STEP 2

Attaching Seat Pad

Place seat pad [3] upside down onto a clear flat surface.

Carefully align the chair frame onto the seat pad [3] and secure using fixings (C), (D) & (H).

Repeat assembly on all chairs.



STEP 3

ATTENTION: While sitting on the chair, fully tighten all the fixings to complete assembly. Your chair is now ready to use.



WE **L**OVE INTERIORS! SHARE YOURS WITH US ON SOCIAL MEDIA

1. follow us on Instagram
2. post your interior
3. tag us to be featured



@furnitureboxUK



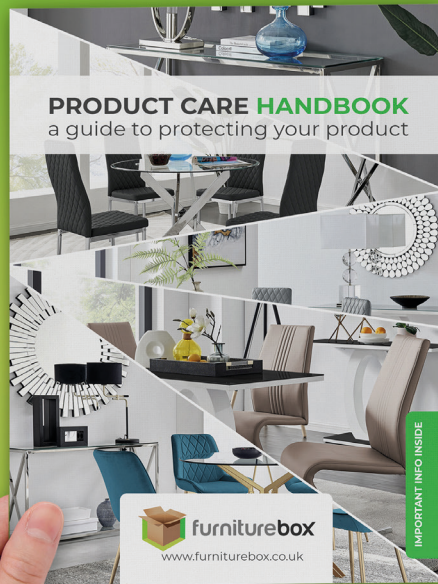
@furniturebox_uk



@furnitureboxuk

LOOKING GOOD!

Now you've assembled your product find out how to care for your item and keep it looking brand new.



Look for your care guide in the box or visit:
www.furniturebox.co.uk/club/care-guide

www.furniturebox.co.uk



OUR 1 YEAR GUARANTEE

our products come with a 1 year guarantee to give you peace of mind shopping at Furniturebox



WHAT THE GUARANTEE COVERS



PRE-INSERTED FIXINGS
e.g. lose metal threads



FAULTY JOINTS
e.g. legs bending



EXTERNAL FIXING FAULTS
e.g. metal discs removing from table top



STRUCTURAL INTEGRITY
e.g. the frame of the product



ACTIVATE YOUR GUARANTEE ONLINE

scan this QR code with your phone to read the full guarantee online and register your product. It only takes a moment to fill out. Or visit: furniturebox.co.uk/our-guarantee

Furniturebox UK, Beaumont Business Centre,
Woodlands Road, Mere, Wiltshire, BA12 6BT
Tel: 01747 863333 Email: sales@furniturebox.co.uk