



LISBON SET

ASSEMBLY GUIDE



www.furniturebox.co.uk

Scan QR code for more tips,
advice and assembly video or visit
furniturebox.co.uk/club/lisbon

Important - Please read these instructions fully before starting assembly



SAFETY AND CARE ADVICE



NO POWER TOOLS

SAFETY AND CARE ADVICE

- Check you have all the components and tools listed.
- Remove all fittings from the plastic bags and separate them into their groups.
- We do not recommend the use of power drills/drivers for inserting screws, as this could damage the unit. Only use hand screwdrivers and Allen keys.
- Keep children and animals away from the work area, small parts could cause choking if swallowed.
- Make sure you have enough space to layout the parts before starting.
- Assemble the item as close to its final position (in the same room) as possible.
- Do not overtighten the nuts to avoid causing damage to the threads.
- Only clean using a damp cloth and mild detergent, do not use bleach or abrasive cleaners.
- From time to time check that there are no loose screws on this unit
- This product should not be discarded with household waste. Take to your local authority waste disposal centre



Follow us on Instagram
@furniturebox_uk

IMPORTANT INFORMATION



1 HOUR
BUILD



TWO
PERSON



GLASS



TABLE
MAXIMUM
CAPACITY 70Kg

PLEASE CHECK CAREFULLY AND MAKE SURE YOU HAVE ALL FITTINGS AND TOOLS LISTED BELOW BEFORE YOU START.

Table Fixings

A 1pc	
B 2pcs	
C 1pc	
L 6pcs	 M6*30
E 1pc	

Chair Fixings

F 2pcs	
G 2pcs	
K 2pcs	
H 2pcs	
D 16pcs	 M6*35
E 1pc	

Sofa Fixings

I 1pc	
G 1pc	
K 1pc	
J 1pc	
D 8pcs	 M6*35
E 1pc	

NOTE: The quantities above are the correct amount to complete the assembly. In some cases more fittings may be supplied than are required.

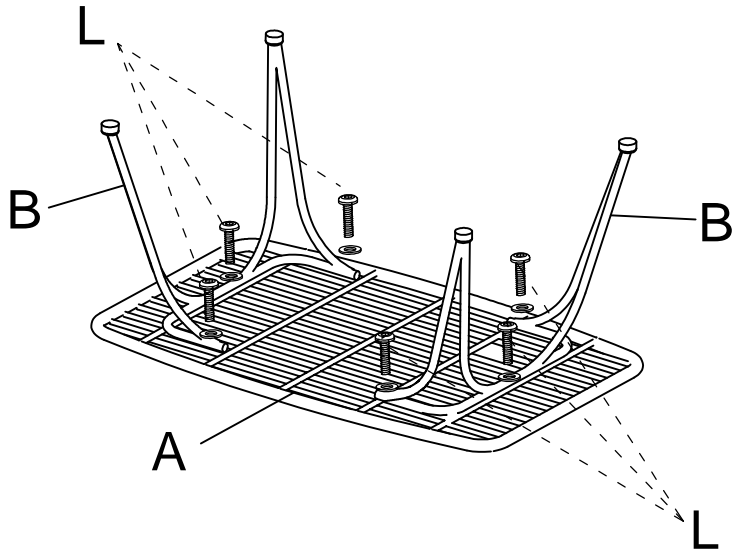


furniturebox

STEP 1

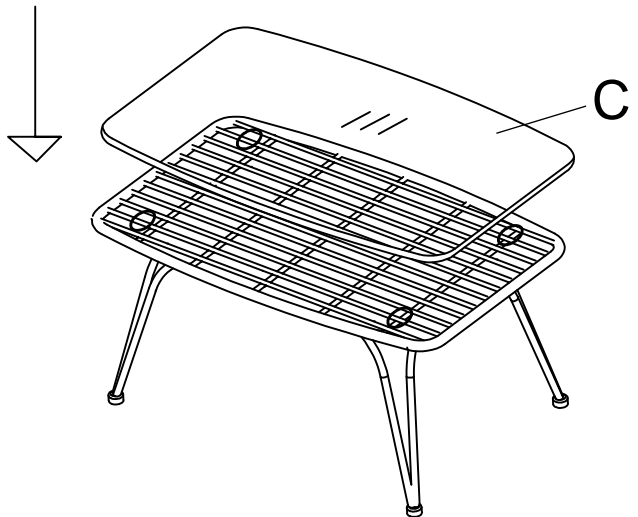
Use a clear, flat, soft surface to avoid bumps or scratches. Lay all your components and fixings out. Note: we recommend you don't fully tighten any of the bolts until everything is fully assembled.

First, assemble your table. Place tabletop [A] face-down on your soft, flat surface. Attach 2x leg pieces [B] - align the pre-drilled holes. Use 3x washers + bolts [L] for each leg - 6 in total. Once all bolts are in place, fully tighten with Allen key [E].

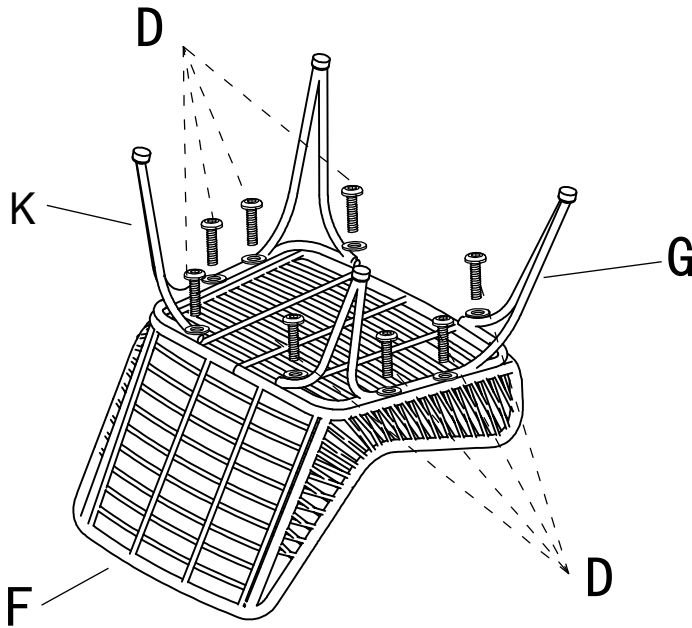


STEP 2

Carefully, and with help, turn your table over so it sits on its feet. Check stability and then carefully lower glass tabletop [C] onto table frame.

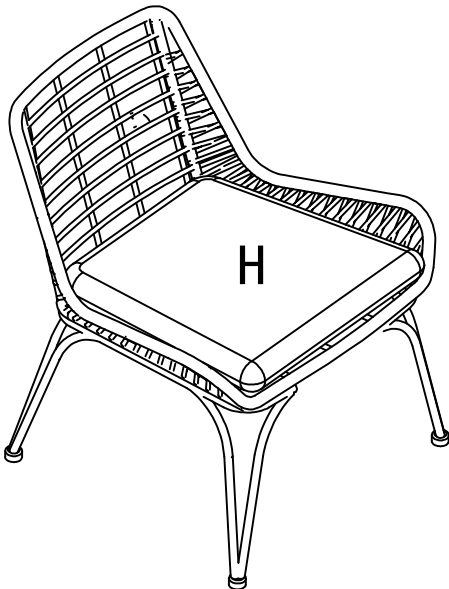


Follow us on Instagram
@furniturebox_uk



STEP 3

Next, assemble your chairs. Attach 2x chair legs [G/K] to 1x chair seat [F] - align the pre-drilled holes. Use 4x washers + bolts [D] on each leg - 8 in total. Once all bolts are in place, fully tighten with Allen key [E].



STEP 4

Flip chair onto its feet, check stability and add chair cushion [H].

Repeat steps 3 and 4 for the 2nd chair.

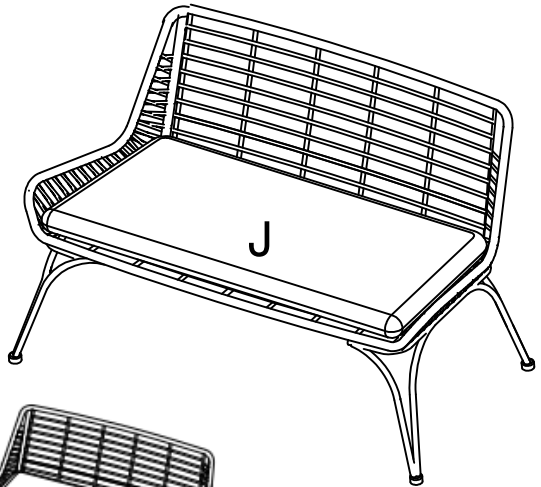
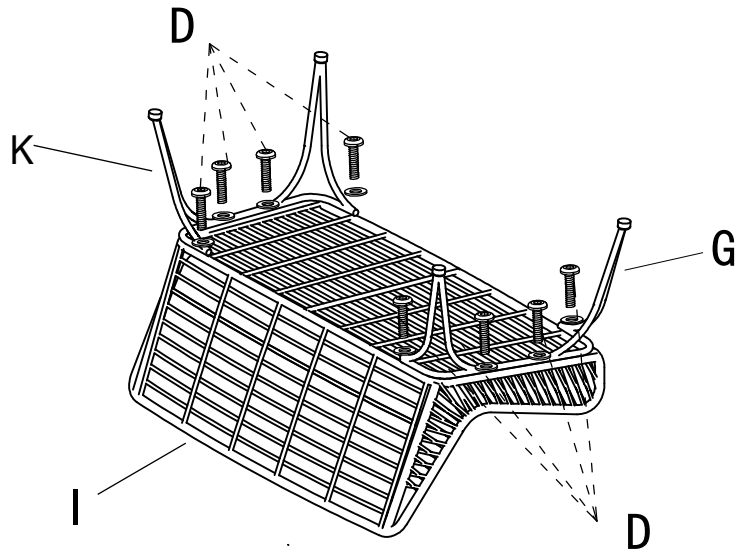
STEP 5

Next, assemble the sofa.

Attach 2x sofa legs [G/K] to the sofa seat [I] - align the pre-drilled holes. Use 4x washers + bolts [D] on each leg - 8 in total. Once all bolts are in place, fully tighten with Allen key [E].

Flip sofa onto its feet, check stability and add sofa cushion [J].

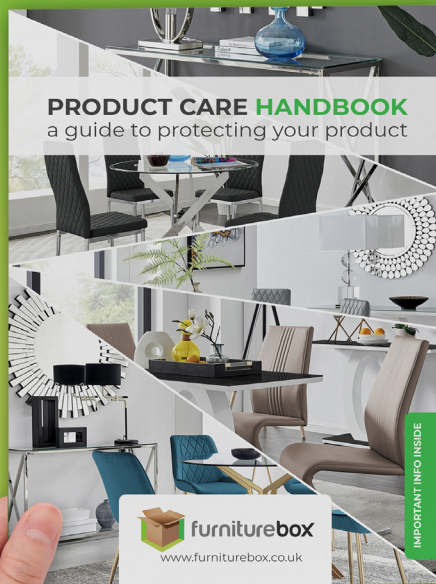
Your sofa, chairs and table set are now ready to use!



Follow us on Instagram
@furniturebox_uk

LOOKING GOOD!

Now you've assembled your product find out how to care for your item and keep it looking brand new.



Look for your care guide in the box or visit:
www.furniturebox.co.uk/club/care-guide



OUR 1 YEAR GUARANTEE

our products come with a 1 year guarantee to give you peace of mind shopping at Furniturebox



WHAT THE GUARANTEE COVERS



PRE-INSERTED FIXINGS

e.g. lose metal threads



FAULTY JOINTS

e.g. legs bending



EXTERNAL FIXING FAULTS

e.g. metal discs removing from table top



STRUCTURAL INTEGRITY

e.g. the frame of the product



ACTIVATE YOUR GUARANTEE ONLINE

scan this QR code with your phone to read the full guarantee online and register your product. It only takes a moment to fill out. Or visit: furniturebox.co.uk/our-guarantee

Furniturebox UK, Unit 6, St Modwen's Park,
Chippenham, SN15 5BD
Tel: 01747 863333 Email: sales@furniturebox.co.uk