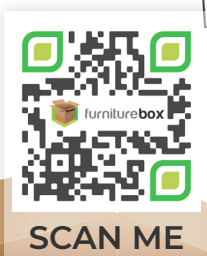
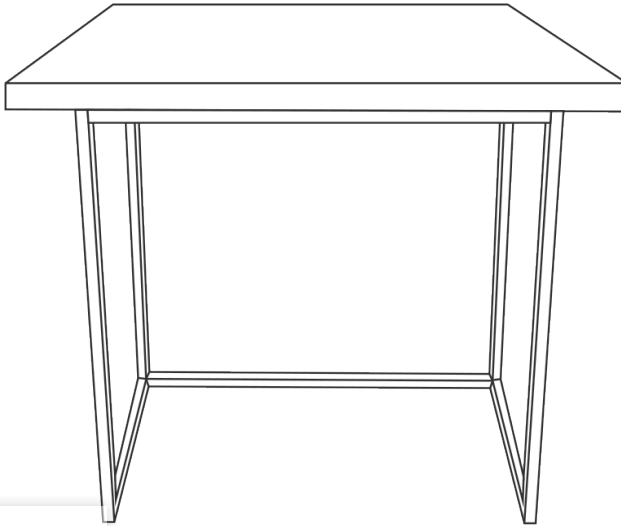


KYLO CONSOLE TABLE

ASSEMBLY GUIDE



www.furniturebox.co.uk

Scan QR code for more tips, advice
and assembly video or visit
furniturebox.co.uk/club/kylo-console



Important - Please read these instructions fully before starting assembly



**SAFETY AND
CARE ADVICE**



NO POWER TOOLS

SAFETY AND CARE ADVICE

- Check you have all the components and tools listed.
- Remove all fittings from the plastic bags and separate them into their groups.
- We do not recommend the use of power drills/drivers for inserting screws, as this could damage the unit. Only use hand screwdrivers and Allen keys.
- Keep children and animals away from the work area, small parts could cause choking if swallowed.
- Make sure you have enough space to layout the parts before starting.
- Assemble the item as close to its final position (in the same room) as possible.
- Do not overtighten the nuts to avoid causing damage to the threads.
- Only clean using a damp cloth and mild detergent, do not use bleach or abrasive cleaners.
- From time to time check that there are no loose screws on this unit
- This product should not be discarded with household waste. Take to your local authority waste disposal centre



IMPORTANT INFORMATION



30 MINUTE
BUILD

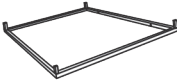
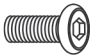



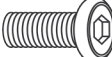







TWO
PERSON



MAXIMUM
CAPACITY 100Kg

PLEASE CHECK CAREFULLY AND MAKE SURE YOU HAVE ALL FITTINGS AND TOOLS LISTED BELOW BEFORE YOU START.

<p>①</p>  <p>X1</p>	<p>A</p>  <p>6x10mm X12</p>
<p>②</p>  <p>X1</p>	<p>B</p>  <p>Ø 6mm X12</p>
<p>③</p>  <p>X1</p>	<p>C</p>  <p>8x30mm X8</p>
<p>④</p>  <p>X1</p>	<p>D</p>  <p>8x18mm X8</p>
<p>⑤</p>  <p>X1</p>	<p>E</p>  <p>Ø4mm X1</p>
	<p>F</p>  <p>Ø5mm X1</p>

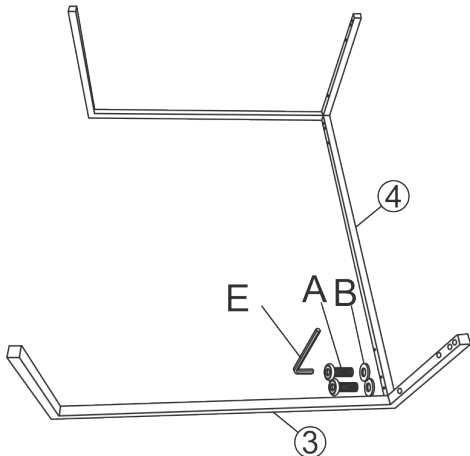
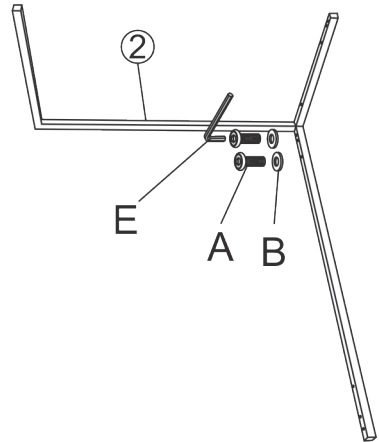
NOTE: The quantities above are the correct amount to complete the assembly. In some cases more fittings may be supplied than are required.



STEP 1

Use a clear, flat, soft surface to avoid bumps or scratches.

Attach leg frame part [2] to leg frame part [4] using 2 x washer [B] followed by 2 x screw [A] and tighten with Allen key [E].



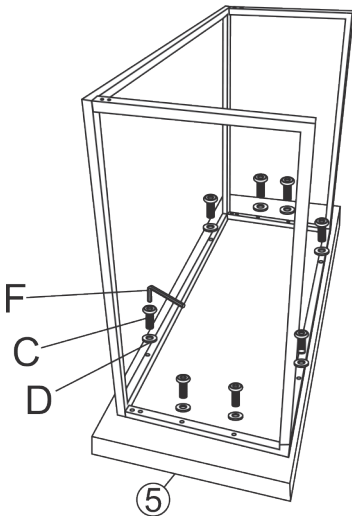
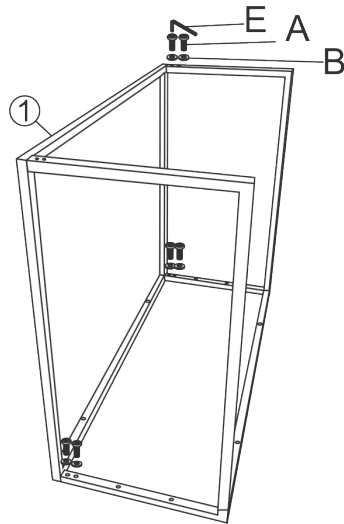
STEP 2

Attach leg frame part [4] to leg frame part [3] using 2 x washer [B] followed by 2 x screw [A] and tighten with Allen key [E].



STEP 3

Attach leg frame part [1] to the rest of the leg frame using 2 x washer [B] followed by 2 x screw [A] at each corner. Tighten with Allen key [E].

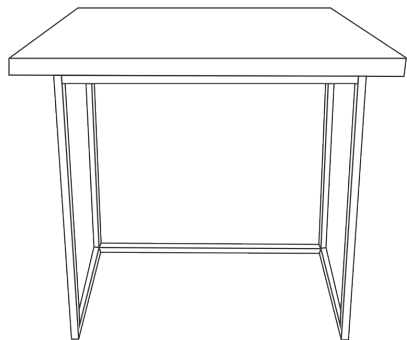


STEP 4

Place tabletop [5] face down on a soft, flat surface. Attach leg frame to tabletop 2 x washer [D] followed by 2 x screw [C] on each side of the leg frame. Tighten all screws with Allen key [F].

STEP 5

ATTENTION: Carefully, and with help, turn your table over so it rests on its base. Check for stability. Your console table is now ready to use.





furniturebox



WE **L**❤️**VE** INTERIORS! SHARE YOURS WITH US ON SOCIAL MEDIA

1. follow us on Instagram
2. post your interior
3. tag us to be featured



@furnitureboxUK



@furniturebox_uk



@furnitureboxuk

LOOKING GOOD!

Now you've assembled your product find out how to care for your item and keep it looking brand new.



Look for your care guide in the box or visit:
www.furniturebox.co.uk/club/care-guide



OUR 1 YEAR GUARANTEE

our products come with a 1 year guarantee to give you peace of mind shopping at Furniturebox



WHAT THE GUARANTEE COVERS



PRE-INSERTED FIXINGS

e.g. lose metal threads



FAULTY JOINTS

e.g. legs bending



EXTERNAL FIXING FAULTS

e.g. metal discs removing from table top



STRUCTURAL INTEGRITY

e.g. the frame of the product



ACTIVATE YOUR GUARANTEE ONLINE

scan this QR code with your phone to read the full guarantee online and register your product. It only takes a moment to fill out. Or visit: furniturebox.co.uk/our-guarantee

Furniturebox UK, Beaumont Business Centre,
Woodlands Road, Mere, Wiltshire, BA12 6BT
Tel: 01747 863333 Email: sales@furniturebox.co.uk