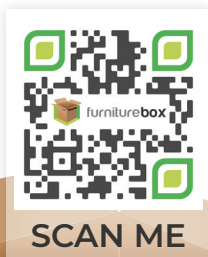
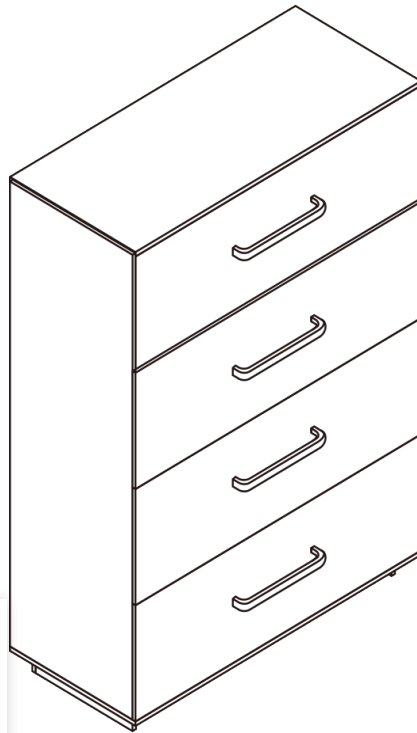




# FOSSANO CHEST OF DRAWERS

## ASSEMBLY GUIDE



[www.furniturebox.co.uk](http://www.furniturebox.co.uk)

Scan QR code for more tips,  
advice and assembly video or visit  
[furniturebox.co.uk/club/fossano-chest](http://furniturebox.co.uk/club/fossano-chest)

**Important - Please read these instructions fully before starting assembly**



### **SAFETY AND CARE ADVICE**



### **NO POWER TOOLS**

#### **SAFETY AND CARE ADVICE**

- Check you have all the components and tools listed.
- Remove all fittings from the plastic bags and separate them into their groups.
- We do not recommend the use of power drills/drivers for inserting screws, as this could damage the unit. Only use hand screwdrivers and Allen keys.
- Keep children and animals away from the work area, small parts could cause choking if swallowed.
- Make sure you have enough space to layout the parts before starting.
- Assemble the item as close to its final position (in the same room) as possible.
- Do not overtighten the nuts to avoid causing damage to the threads.
- Only clean using a damp cloth and mild detergent, do not use bleach or abrasive cleaners.
- From time to time check that there are no loose screws on this unit
- This product should not be discarded with household waste. Take to your local authority waste disposal centre



**Follow us on Instagram**  
**@furniturebox\_uk**

## IMPORTANT INFORMATION



45 MINUTE  
BUILD

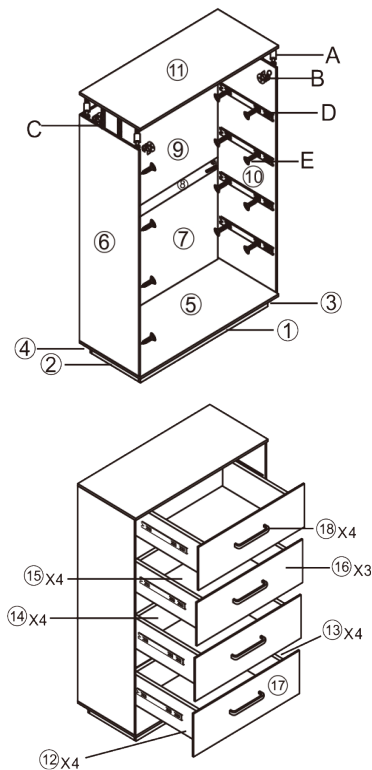


TWO  
PERSON



MAXIMUM  
CAPACITY 50Kg

PLEASE CHECK CAREFULLY AND MAKE SURE YOU HAVE ALL FITTINGS AND TOOLS LISTED BELOW BEFORE YOU START.



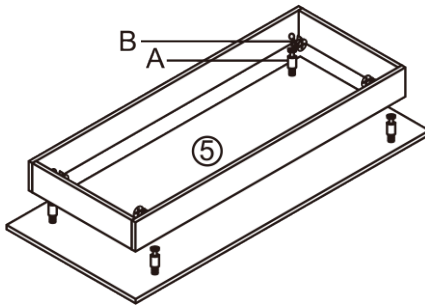
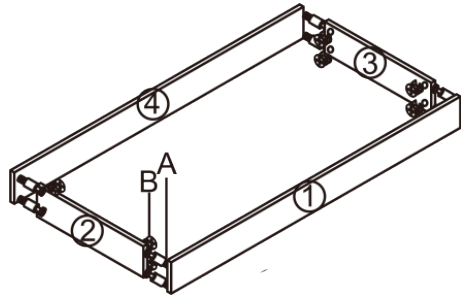
① Front Footboard X1	② Left Footboard X1	③ Right Footboard X1	④ Back Footboard X1
⑤ Bottom Board X1	⑥ Chest Left Side Board X1	⑦ Down Board of Chest Back X1	⑧ Fixing Board of Chest Back X1
⑨ Upper Board of Chest Back X1	⑩ Chest Right Side Board X1	⑪ Top Board of the Chest X1	⑫ Drawer Left Piece X4
⑬ Drawer Right Piece X4	⑭ Drawer Back Piece X4	⑮ Drawer Bottom Piece X4	⑯ Drawer Front Piece X3
⑰ Drawer Front Piece X1	⑱ Drawer Handle X2		
A Cam Screw X62	B Cam Lock Nut X62	C M8X40MM Wooden Dowel X10	D Metal Slider X4
E 16MM Self Tapping Slider X32	F 20MM Handle Screw X8	G Screw Driver X1	H PVC Sticker X62

**NOTE:** The quantities above are the correct amount to complete the assembly. In some cases more fittings may be supplied than are required.

## STEP 1

Put the pieces on a soft flat surface e.g a carpet to avoid any scratches or bumps. Make sure you have all the components and parts ready before you start.

First assemble the bottom of the unit. Connect footboards [1], [2], [3] and [4] together using Cam Screws [A]. Once tightened, use the Cam Lock Nuts [B] to lock in the pieces. Tighten with screwdriver [C].



## STEP 2

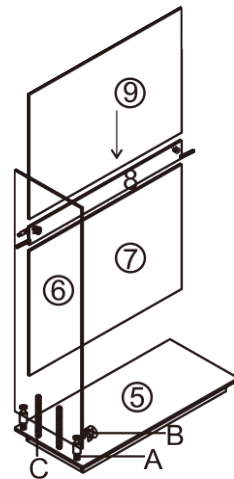
Attach the footboards [1], [2], [3] and [4] to Bottom Board [5] using Cam Screws [A] and Cam Lock Nuts [B]. Flip over so that the 4 footboards sit on the floor.

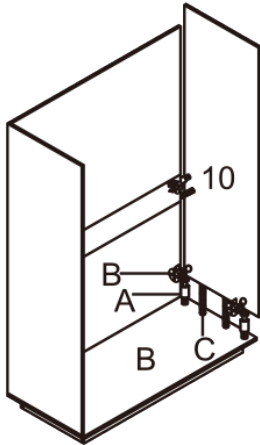
## STEP 3

Connect the left side board [6] to the bottom board [5] using wooden dowels [C], Cam Screws [A] and Cam Lock Nuts [B]. Slide the lower back board [7] into the grooves on the side and bottom boards.

Then attach fixing support board [8] using wooden dowels [C], Cam Screws [A] and Cam Lock Nuts [B].

Then insert the upper back board [9] into the groove of side board [6] and fixing board [8].





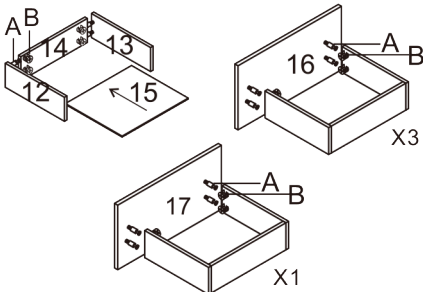
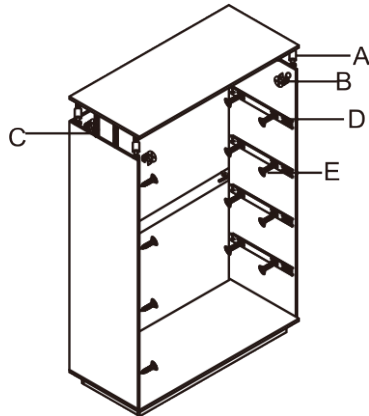
## STEP 4

Attach right side board [10] to the unit, using Wooden Dowels [C], Cam Screws [A] and Cam Lock Nuts [B].

## STEP 5

Attach the top board [11] to the unit using Wooden Dowels [C], Cam Screws [A] and Cam Lock Nuts [B].

Step 7 provides detailed instructions on how to attach the drawer sliders [D] to the unit and to the drawer sides.



## STEP 6

Assemble your drawers. Connect drawer side boards [12], [13] and [14] together using Cam Screws [A] and Cam Lock Nuts [B]. Slide drawer bottom board [15] into the grooves in the drawer sides. Attach drawer front [16] to 3 of the drawers and drawer front [17] for the bottom drawer. Use Cam Screws [A] and Cam Lock Nuts [B].

## STEP 7

### Drawer Sliders - part [D]

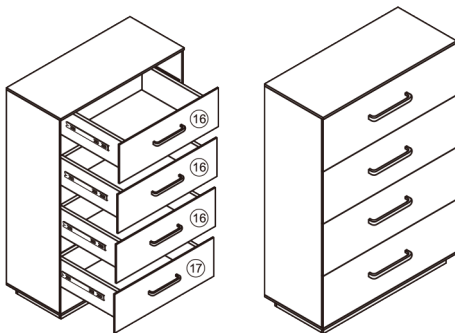
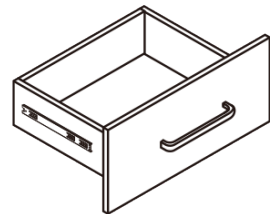
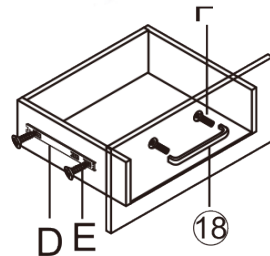
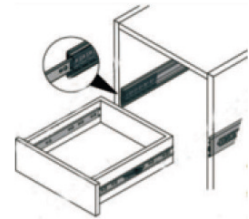
Each drawer slider comes as a pair - the “parent” is the part that attaches to the inside of the unit and the “child” that attaches to the outside of the drawer, on each side. To separate your drawer sliders into “parent” [1] and “child” [2] parts, press the black moving part and slide it.

Attach the “parent” sliders [1] to the unit side boards in the locations show on the diagram in Step 5, using screws [E] Make sure you install the sliders facing the correct direction - end A1 towards the back of the unit and B1 at the front of the unit. Make sure the B1 end is aligned with the edge of the unit as per the diagram.

Attach the “child” sliders [2] to the sides of the drawers using screws [E]. Make sure you attach the “child” sliders facing the correct direction - end A2 towards the back of the drawer and end B2 towards the front of the drawer.

Attach drawer handles [15] to your drawers using screws [F]. If your sliders are attached the correct way round, the drawers will slide comfortably into the runners on the unit.

**ATTENTION:** Be careful not to overload drawers.



## STEP 8

Slide drawers into unit.  
We strongly advise you use the anti-tipping kit provided.

# LOOKING GOOD!

Now you've assembled your product find out how to care for your item and keep it looking brand new.



Look for your care guide in the box or visit:  
[www.furniturebox.co.uk/club/care-guide](http://www.furniturebox.co.uk/club/care-guide)

[www.furniturebox.co.uk](http://www.furniturebox.co.uk)



## OUR 1 YEAR GUARANTEE

our products come with a 1 year guarantee to give you peace of mind shopping at Furniturebox



## WHAT THE GUARANTEE COVERS



**PRE-INSERTED FIXINGS**  
e.g. lose metal threads



**FAULTY JOINTS**  
e.g. legs bending



**EXTERNAL FIXING FAULTS**  
e.g. metal discs removing from table top



**STRUCTURAL INTEGRITY**  
e.g. the frame of the product



### ACTIVATE YOUR GUARANTEE ONLINE

scan this QR code with your phone to read the full guarantee online and register your product. It only takes a moment to fill out. Or visit: [furniturebox.co.uk/our-guarantee](https://furniturebox.co.uk/our-guarantee)

Furniturebox UK, Beaumont Business Centre,  
Woodlands Road, Mere, Wiltshire, BA12 6BT  
Tel: 01747 863333 Email: [sales@furniturebox.co.uk](mailto:sales@furniturebox.co.uk)