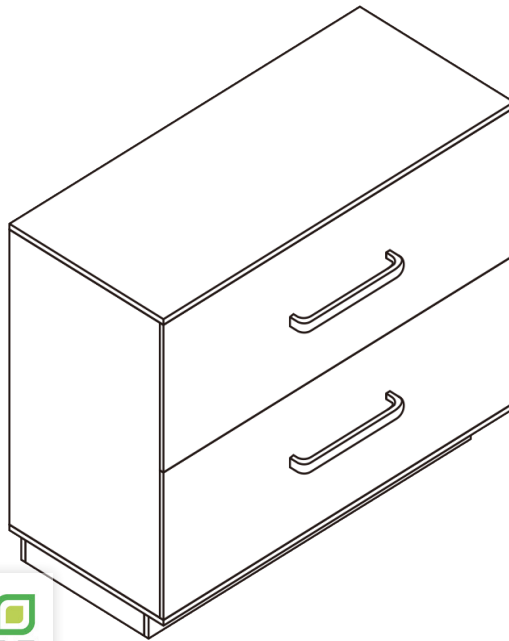




FOSSANO BEDSIDE TABLE

ASSEMBLY GUIDE



www.furniturebox.co.uk

Scan QR code for more tips,
advice and assembly video or visit
furniturebox.co.uk/club/fossano-bedside

Important - Please read these instructions fully before starting assembly



SAFETY AND CARE ADVICE



NO POWER TOOLS

SAFETY AND CARE ADVICE

- Check you have all the components and tools listed.
- Remove all fittings from the plastic bags and separate them into their groups.
- We do not recommend the use of power drills/drivers for inserting screws, as this could damage the unit. Only use hand screwdrivers and Allen keys.
- Keep children and animals away from the work area, small parts could cause choking if swallowed.
- Make sure you have enough space to layout the parts before starting.
- Assemble the item as close to its final position (in the same room) as possible.
- Do not overtighten the nuts to avoid causing damage to the threads.
- Only clean using a damp cloth and mild detergent, do not use bleach or abrasive cleaners.
- From time to time check that there are no loose screws on this unit
- This product should not be discarded with household waste. Take to your local authority waste disposal centre



Follow us on Instagram
@furniturebox_uk

IMPORTANT INFORMATION



45 MINUTE
BUILD

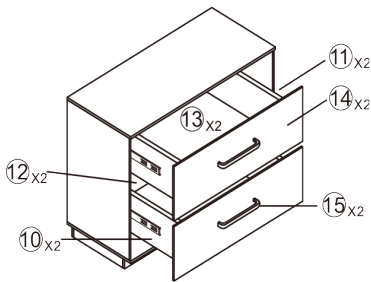
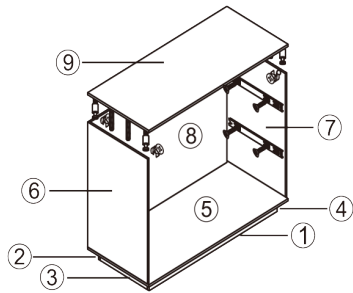


TWO
PERSON



MAXIMUM
CAPACITY 30Kg

PLEASE CHECK CAREFULLY AND MAKE SURE YOU HAVE ALL FITTINGS AND TOOLS LISTED BELOW BEFORE YOU START.



① Front Footboard X1	② Back Footboard X1	③ Left Footboard X1	④ Right Footboard X1
⑤ Bottom Board X1	⑥ Left Bedside Table Side Board X1	⑦ Right Bedside Table Side Board X1	⑧ Bedside Table Back Board X1
⑨ Top Board X1	⑩ Drawer Left Side Board X2	⑪ Drawer Right Side Board X2	⑫ Drawer Back Piece X2
⑬ Drawer Bottom Piece X2	⑭ Drawer Front Piece X2	⑮ Drawer Handle X2	
A Cam Screw X40	B Cam Lock Nut X40	C M8X40MM Wooden Dowel X8	D Metal Slider X2
E 16MM X16 Self Tapping Slider	F 20MM Handle Screw X4	G Screw Driver X1	H PVC Sticker X40

NOTE: The quantities above are the correct amount to complete the assembly. In some cases more fittings may be supplied than are required.

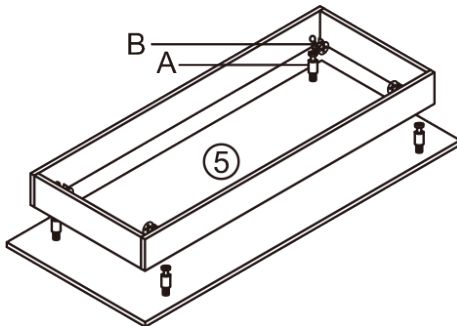
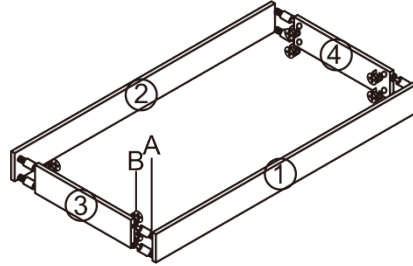


STEP 1

Put the pieces on a soft flat surface e.g a carpet to avoid any scratches or bumps.

Make sure you have all the components and parts ready before you start.

First assemble the bottom of the unit. Connect footboards [1], [2], [3] and [4] together using Cam Screws [A]. Once tightened, use the Cam Lock Nuts [B] to lock in the pieces. Tighten with screwdriver [C].

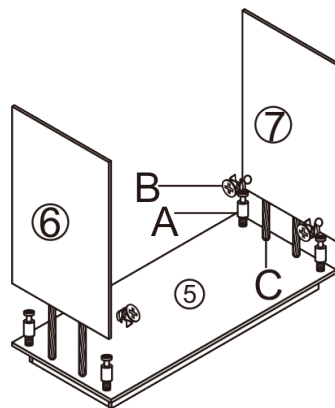


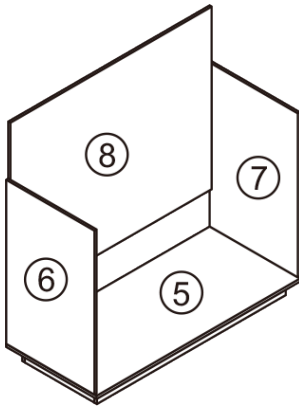
STEP 2

Attach the footboards [1], [2], [3] and [4] to Bottom Board [5] using Cam Screws [A] and Cam Lock Nuts [B]. Flip over so that the 4 footboards sit on the floor.

STEP 3

Connect the left side board [6] and right side board [7] to the bottom board [5] using wooden dowels [C], Cam Screws [A] and Cam Lock Nuts [B].





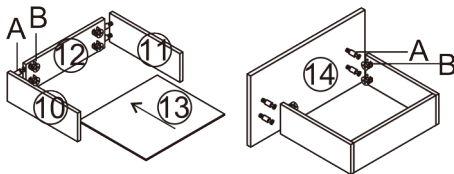
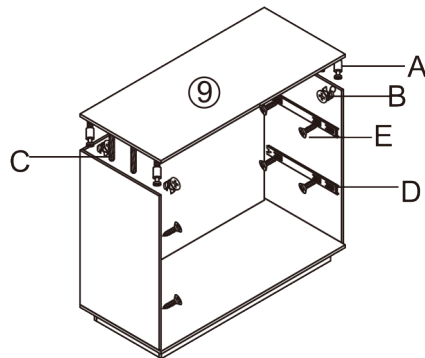
STEP 4

Insert back board [8] into the grooves on bottom board [5], and side boards [6] and [7].

STEP 5

Attach the top board [9] to the unit using Wooden Dowels [C], Cam Screws [A] and Cam Lock Nuts [B].

Step 7 provides detailed instructions on how to attach the drawer sliders [D] to the unit and to the drawer sides.



STEP 6

Assemble your drawers. Connect drawer side boards [10], [11] and [12] together using Cam Screws [A] and Cam Lock Nuts [B]. Slide drawer bottom board [13] into the grooves in the drawer sides. Attach drawer front [14] with Cam Screws [A] and Cam Lock Nuts [B].

STEP 7

Drawer Sliders - part [D]

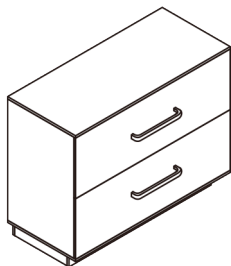
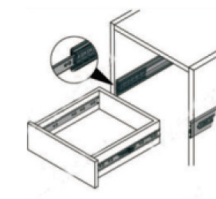
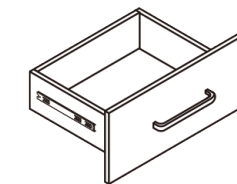
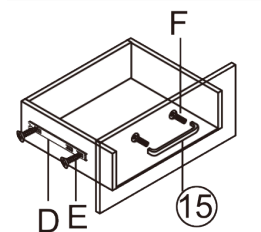
Each drawer slider comes as a pair - the “parent” is the part that attaches to the inside of the unit, and the “child” that attaches to the outside of the drawer, on each side. To separate your drawer sliders into “parent” [1] and “child” [2] parts, press the black moving part and slide it.

Attach the “mother” sliders [1] to the unit side boards in the locations show on the diagram in Step 5, using screws [E]. Make sure you install the sliders facing the correct direction - end A1 towards the back of the unit and B1 at the front of the unit. Make sure the B1 end is aligned with the edge of the unit as per the diagram.

Attach the “child” sliders [2] to the sides of the drawers using screws [E]. Make sure you attach the “child” sliders facing the correct direction - end A2 towards the back of the drawer and end B2 towards the front of the drawer.

Attach drawer handles [15] to your drawers using screws [F]. If your sliders are attached the correct way round, the drawers will slide comfortably into the runners on the unit.

ATTENTION: Be careful not to overload drawers.



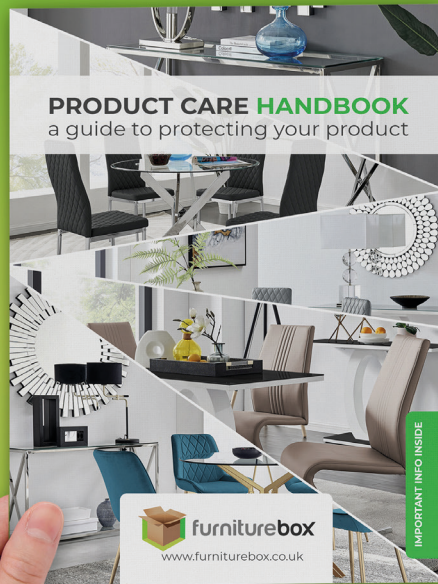
STEP 8

Slide drawers into unit.

We strongly advise you use the anti-tipping kit provided.

LOOKING GOOD!

Now you've assembled your product find out how to care for your item and keep it looking brand new.



Look for your care guide in the box or visit:
www.furniturebox.co.uk/club/care-guide

www.furniturebox.co.uk



OUR 1 YEAR GUARANTEE

our products come with a 1 year guarantee to give you peace of mind shopping at Furniturebox



WHAT THE GUARANTEE COVERS



PRE-INSERTED FIXINGS
e.g. lose metal threads



FAULTY JOINTS
e.g. legs bending



EXTERNAL FIXING FAULTS
e.g. metal discs removing from table top



STRUCTURAL INTEGRITY
e.g. the frame of the product



ACTIVATE YOUR GUARANTEE ONLINE

scan this QR code with your phone to read the full guarantee online and register your product. It only takes a moment to fill out. Or visit: furniturebox.co.uk/our-guarantee

Furniturebox UK, Beaumont Business Centre,
Woodlands Road, Mere, Wiltshire, BA12 6BT
Tel: 01747 863333 Email: sales@furniturebox.co.uk