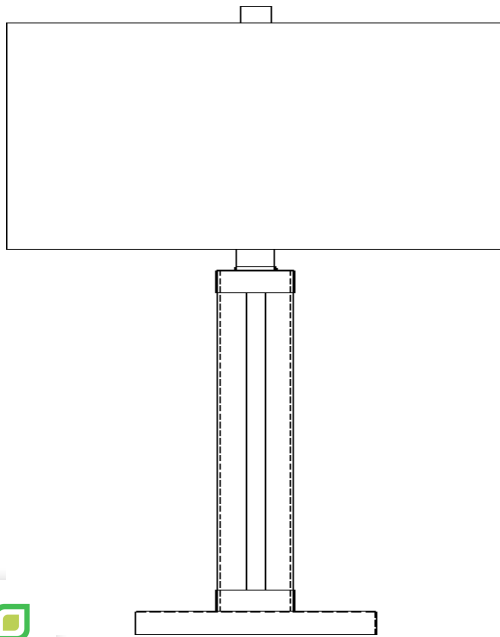


ESME LAMP

ASSEMBLY GUIDE



SCAN ME

www.furniturebox.co.uk

Scan QR code for more tips,
advice and assembly video or visit
furniturebox.co.uk/club/esmelamp

Important - Please read these instructions fully before starting assembly



SAFETY AND CARE ADVICE



NO POWER TOOLS

SAFETY AND CARE ADVICE

- Check you have all the components listed and remove any plastic packaging.
- The lamp must be protected by a 3 amp fuse in the main plug. This lamp can only be used with a 230V~50Hz power source.
- Intended for indoor use and must not be used in bathrooms or near any liquids.
- The fitting is a Class II, double insulated product and does not require an Earth. Live or Neutral must not be connected to Earth.
- Do NOT plug in or use with product until it has been completely assembled and the light bulb has been installed. During assembly or maintenance, make sure the lamp is disconnected from the mains.
- Ensure the lamp is placed on a level and stable surface during use.
- Under no circumstances must this lamp be covered with any type of material or have anything hung from any part of the lamp. Covering the lamp could pose a safety hazard.
- If the external flexible cord or switch of the lamp is damaged, do NOT use the lamp under any circumstances.
- Waste electrical products cannot be disposed of with normal household waste. Please check with your local authority for your nearest recycling centre that accepts electrical products.
- When replacing the light bulb, make sure the lamp is switched off at the mains plug to allow it to cool down. (CAUTION: light bulbs get hot during use)
- Make sure to use the correct wattage and type of light bulb for the lamp. Using light bulbs of a higher wattage than the lamp requires can cause a safety hazard and may cause damage to the lamp.
- To clean the lamp, use a dry clean cloth ONLY. Do NOT use any liquids or cleaners on the lamp. If any liquids are spilt on the lamp, stop using immediately and contact a qualified electrician for advice.
- Incorrect assembly and/or use of the lamp will void the warranty.
- If you have any doubt about installation/use of the lamp, consult a qualified electrician.



STEP 1

Assemble on a clean, flat soft surface to avoid any bumps or scratches.

Connect halo [2] to socket and base [1]

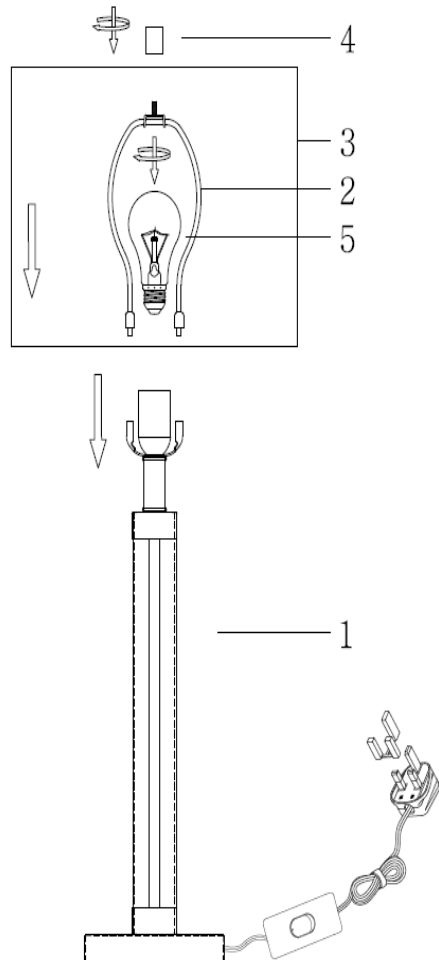
Screw lightbulb [5] into socket and base [1].

Place lampshade [3] over bulb and halo.

Screw finial [4] onto top of halo to secure lampshade to base.

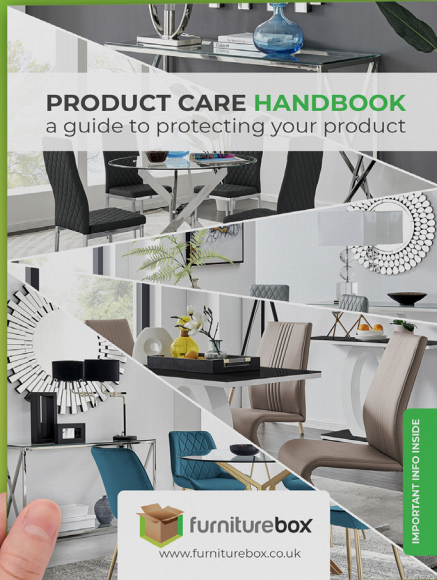
Remove plastic guard from plug, carefully plug into electrical outlet and test.

Your lamp is ready to use.



LOOKING GOOD!

Now you've assembled your product find out how to care for your item and keep it looking brand new.



Look for your care guide in the box or visit:
www.furniturebox.co.uk/club/care-guide



OUR 1 YEAR GUARANTEE

our products come with a 1 year guarantee to give you peace of mind shopping at Furniturebox



WHAT THE GUARANTEE COVERS



PRE-INSERTED FIXINGS

e.g. lose metal threads



FAULTY JOINTS

e.g. legs bending



EXTERNAL FIXING FAULTS

e.g. metal discs removing from table top



STRUCTURAL INTEGRITY

e.g. the frame of the product



ACTIVATE YOUR GUARANTEE ONLINE

scan this QR code with your phone to read the full guarantee online and register your product. It only takes a moment to fill out. Or visit: furniturebox.co.uk/our-guarantee

Furniturebox UK, Beaumont Business Centre,
Woodlands Road, Mere, Wiltshire, BA12 6BT
Tel: 01747 863333 Email: sales@furniturebox.co.uk