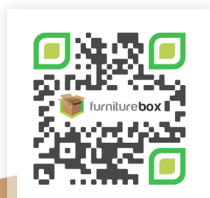


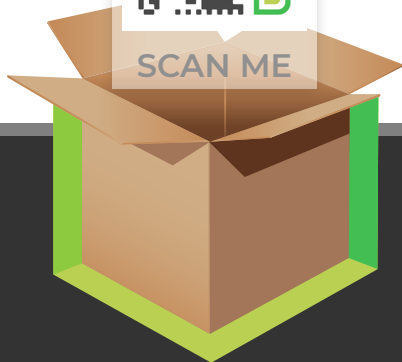


# ELINA

## ASSEMBLY GUIDE



SCAN ME



[www.furniturebox.co.uk](http://www.furniturebox.co.uk)

Scan QR code for more tips,  
advice and assembly video or visit  
[furniturebox.co.uk/club/elina](http://furniturebox.co.uk/club/elina)

**Important - Please read these instructions fully before starting assembly**



**SAFETY AND  
CARE ADVICE**



**NO POWER TOOLS**

**SAFETY AND CARE ADVICE**

- Check you have all the components and tools listed.
- Remove all fittings from the plastic bags and separate them into their groups.
- We do not recommend the use of power drills/drivers for inserting screws, as this could damage the unit. Only use hand screwdrivers and Allen keys.
- Keep children and animals away from the work area, small parts could cause choking if swallowed.
- Make sure you have enough space to layout the parts before starting.
- Assemble the item as close to its final position (in the same room) as possible.
- Do not overtighten the nuts to avoid causing damage to the threads.
- Only clean using a damp cloth and mild detergent, do not use bleach or abrasive cleaners.
- From time to time check that there are no loose screws on this unit
- This product should not be discarded with household waste. Take to your local authority waste disposal centre



**Follow us on Instagram**  
**@furniturebox\_uk**

## IMPORTANT INFORMATION



30 MINUTE  
BUILD















TWO  
PERSON



MAXIMUM  
CAPACITY 80Kg

PLEASE CHECK CAREFULLY AND MAKE SURE YOU HAVE ALL FITTINGS AND TOOLS LISTED BELOW BEFORE YOU START.

Parts	
①	 Top x1
②	 Frame x1
③	 Leg x1
④	 Base x1
⑤	 Weight (in the Base) X1

Fixings	
A	 $\varnothing 8 \times 25 \text{mm}$ X6PCS
B	 $\varnothing 8 \times 40 \text{mm}$ X8PCS
C	 $\varnothing 10 \times 60 \text{mm}$ X1PCS
D	 8x22mm X14PCS
E	 5mm X1PCS
F	 8mm X1PCS
G	 $\varnothing 10 \text{mm}$ X1PCS

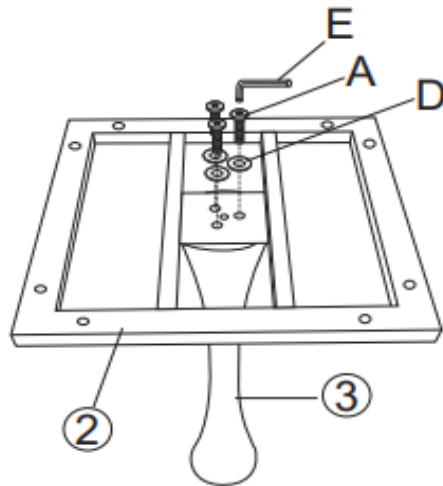
**NOTE:** Parts 2, 4 and 5 will arrive attached for delivery, please use tool G to unfasten all pieces before assembly.

**NOTE:** The quantities above are the correct amount to complete the assembly. In some cases more fittings may be supplied than are required.

## STEP 1

Use a clean, flat, soft surface to avoid any bumps or scratches.

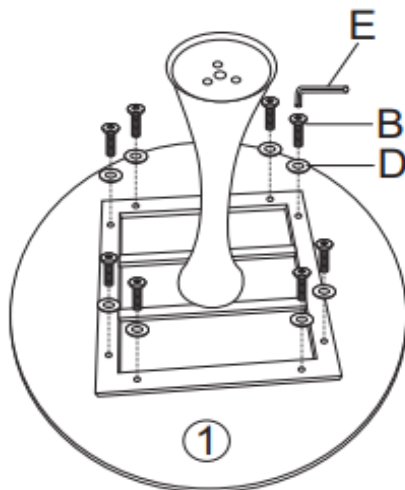
Attach the frame [2] to the leg [3]. The leg can be attached either way round. Use 1x washer [D] followed by 1x bolts [A] for each hole - 3 in total. Tighten with allen key [E].



## STEP 2

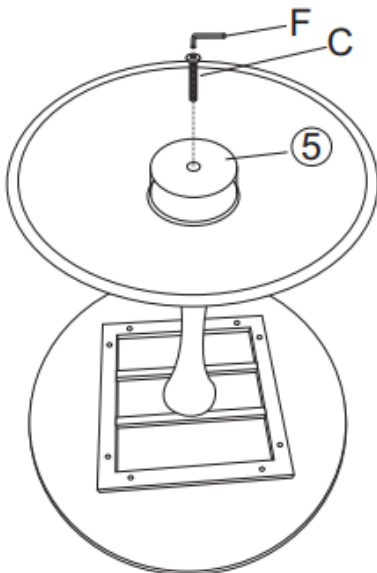
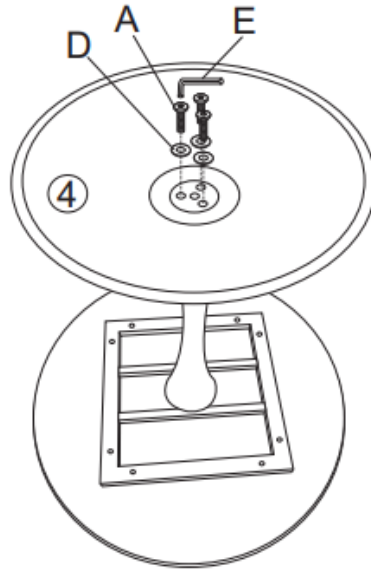
Place tabletop [1] upside down on your flat, soft surface. Carefully, and with help, flip the leg and frame upside down.

Attach the extending frame [2] to the the tabletop using 1 x washer [D] followed by 1x bolt [B] for each hole - 8 in total. Tighten with Allen key [E].



### STEP 3

Attach the table base [4] to the table leg using 1x washer [D] followed by 1x bolt [A] for each hole - 3 in total. Tighten with Allen key [E].



### STEP 4

Attach the weight [5] to the bottom of the table base [4] using 1 x long bolt [C]. Tighten with Allen key [F]. **Make sure you ensure this weight is securely tightened, as it's crucial for the stability of the table.**



## STEP 5

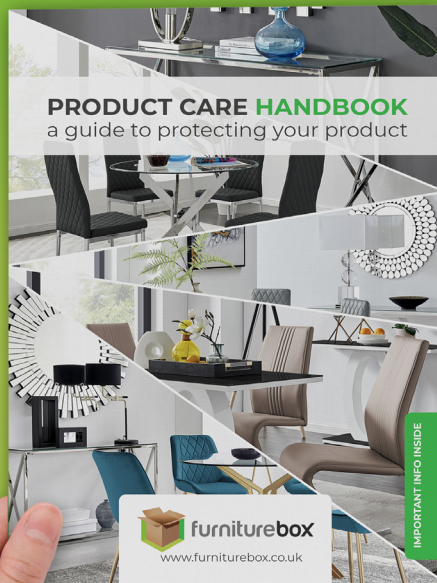
Carefully and with help, flip your table upright onto its base. Check for stability. Your new table is now ready to use.



Follow us on Instagram  
[@furniturebox\\_uk](https://www.instagram.com/furniturebox_uk)

# LOOKING GOOD!

Now you've assembled your product find out how to care for your item and keep it looking brand new.



Look for your care guide in the box or visit:  
[www.furniturebox.co.uk/club/care-guide](http://www.furniturebox.co.uk/club/care-guide)



## OUR 2 YEAR\* GUARANTEE

our products come with a 2 year guarantee to give you peace of mind shopping at Furniturebox

\*excludes some garden furniture items which have a 1 year guarantee



## WHAT THE GUARANTEE COVERS



**PRE-INSERTED FIXINGS**  
e.g. lose metal threads



**FAULTY JOINTS**  
e.g. legs bending



**EXTERNAL FIXING FAULTS**  
e.g. bonding/glue



**STRUCTURAL INTEGRITY**  
e.g. the frame of the product



### ACTIVATE YOUR GUARANTEE ONLINE

scan this QR code with your phone to read the full guarantee online and register your product. It only takes a moment to fill out. Or visit: [furniturebox.co.uk/our-guarantee](https://furniturebox.co.uk/our-guarantee)

Furniturebox UK, Unit 6, St Modwen's Park,  
Chippenham, SN15 5BD  
Tel: 01747 863333 Email: [sales@furniturebox.co.uk](mailto:sales@furniturebox.co.uk)