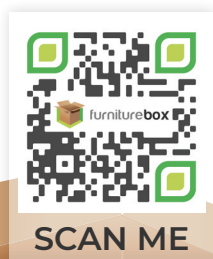
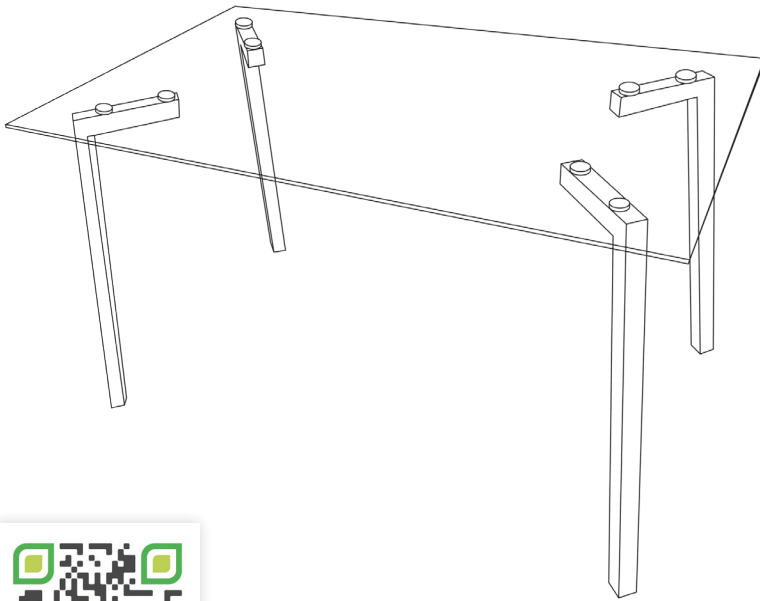


COSMO DINING TABLE

ASSEMBLY GUIDE



www.furniturebox.co.uk

Scan QR code for more tips,
advice and assembly video or visit
furniturebox.co.uk/club/cosmo

Important - Please read these instructions fully before starting assembly



SAFETY AND
CARE ADVICE



NO POWER TOOLS



CAUTION

Under no circumstances should hot or cold items be placed directly onto the glass table surface. Table surface mats must be used at all times. Direct exposure to hot or cold items could seriously damage the product and compromise your warranty. For more information please refer to the product care guide booklet.



SAFETY AND CARE ADVICE

- Check you have all the components and tools listed.
- Remove all fittings from the plastic bags and separate them into their groups.
- We do not recommend the use of power drills/drivers for inserting screws, as this could damage the unit. Only use hand screwdrivers and Allen keys.
- Keep children and animals away from the work area, small parts could cause choking if swallowed.
- Make sure you have enough space to layout the parts before starting.
- Assemble the item as close to its final position (in the same room) as possible.
- Do not overtighten the nuts to avoid causing damage to the threads.
- **Under no circumstances** should liquids be used to clean the underside of the glass table. For full cleaning and care advice, refer to your corresponding product care guide.
- From time to time check that there are no loose screws on this unit
- This product should not be discarded with household waste. Take to your local authority waste disposal centre



Follow us on Instagram
[@furniturebox_uk](https://www.instagram.com/furniturebox_uk)

IMPORTANT INFORMATION



45 MINUTE
BUILD



TWO
PERSON



GLASS

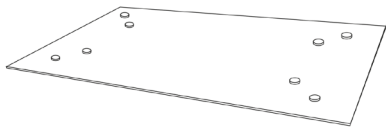


MAXIMUM
CAPACITY 100Kg

PLEASE CHECK CAREFULLY AND MAKE SURE YOU HAVE ALL FITTINGS AND TOOLS LISTED BELOW BEFORE YOU START.

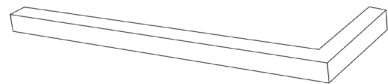
1 x1





Table top



2 x4

Table legs



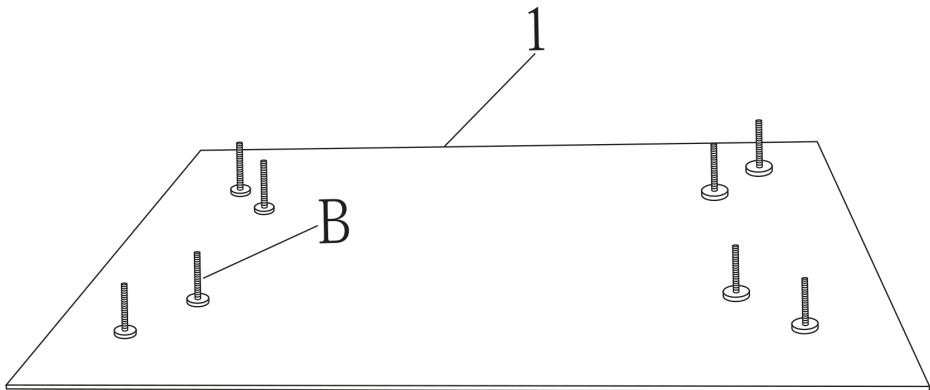
<p>A  M8x16mm Washers x8</p>	<p>B  M8x50mm Rod x8</p>	<p>C  M8 Nuts x8</p>
<p>D  M8 Spanner x1</p>		

NOTE: The quantities above are the correct amount to complete the assembly. In some cases more fittings may be supplied than are required.

STEP 1

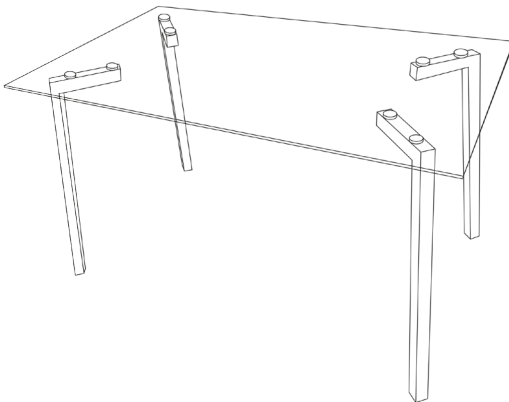
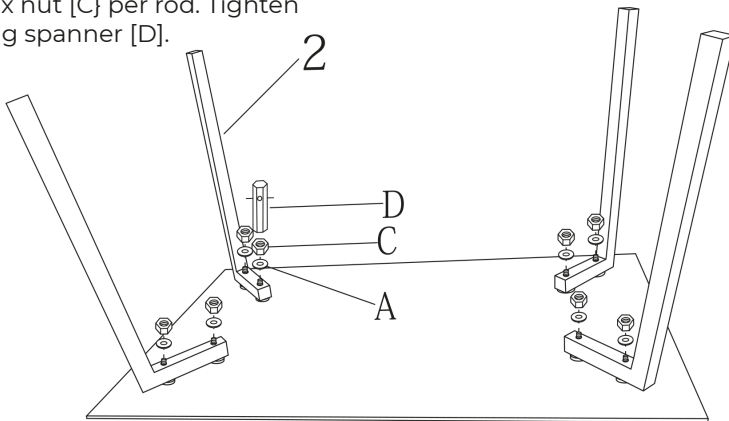
Use a clear, flat, soft surface to avoid bumps or scratches.

Place the table top [1] on flat surface with metal discs facing upwards.
Screw 8 x rod [B] into the metal discs.



STEP 2

Align each of the table legs [2] over the rods.
Secure each leg into place using 1 x washer [A] followed by 1 x nut [C] per rod. Tighten using spanner [D].



STEP 3

ATTENTION: Carefully, and with help, flip your table over so the legs rest on the floor. Check for stability.



WE **LOVE** INTERIORS! SHARE
YOURS WITH US ON SOCIAL MEDIA

1. follow us on Instagram
2. post your interior
3. tag us to be featured



@furnitureboxUK



@furniturebox_uk



@furnitureboxuk

LOOKING GOOD!

Now you've assembled your product find out how to care for your item and keep it looking brand new.



Look for your care guide in the box or visit:
www.furniturebox.co.uk/club/care-guide

www.furniturebox.co.uk



OUR 2 YEAR* GUARANTEE

our products come with a 2 year guarantee to give you peace of mind shopping at Furniturebox

*excludes some garden furniture items which have a 1 year guarantee



WHAT THE GUARANTEE COVERS



PRE-INSERTED FIXINGS

e.g. lose metal threads



FAULTY JOINTS

e.g. legs bending



EXTERNAL FIXING FAULTS

e.g. bonding/glue



STRUCTURAL INTEGRITY

e.g. the frame of the product



ACTIVATE YOUR GUARANTEE ONLINE

scan this QR code with your phone to read the full guarantee online and register your product. It only takes a moment to fill out. Or visit: furniturebox.co.uk/our-guarantee

Furniturebox UK, Unit 6, St Modwen's Park,
Chippenham, SN15 5BD
Tel: 01747 863333 Email: sales@furniturebox.co.uk