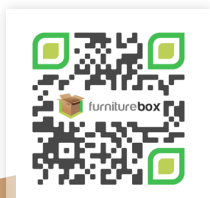
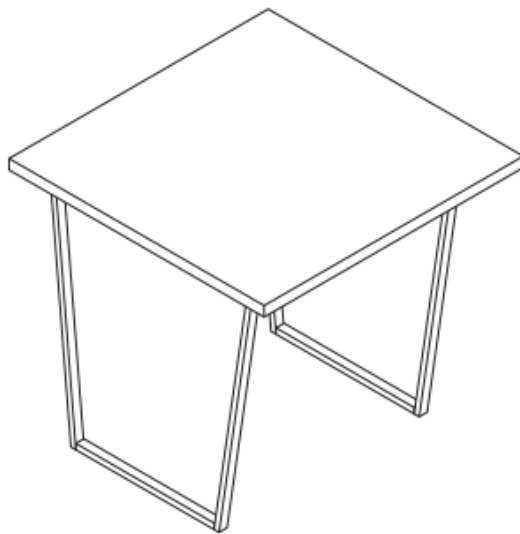




CARSON SQUARE

ASSEMBLY GUIDE



SCAN ME



www.furniturebox.co.uk

Scan QR code for more tips,
advice and assembly video or visit
furniturebox.co.uk/club/carsonsquare

Important - Please read these instructions fully before starting assembly



SAFETY AND CARE ADVICE



NO POWER TOOLS

SAFETY AND CARE ADVICE

- Check you have all the components and tools listed.
- Remove all fittings from the plastic bags and separate them into their groups.
- We do not recommend the use of power drills/drivers for inserting screws, as this could damage the unit. Only use hand screwdrivers and Allen keys.
- Keep children and animals away from the work area, small parts could cause choking if swallowed.
- Make sure you have enough space to layout the parts before starting.
- Assemble the item as close to its final position (in the same room) as possible.
- Do not overtighten the nuts to avoid causing damage to the threads.
- Only clean using a damp cloth and mild detergent, do not use bleach or abrasive cleaners.
- From time to time check that there are no loose screws on this unit
- This product should not be discarded with household waste. Take to your local authority waste disposal centre



Follow us on Instagram
@furniturebox_uk

IMPORTANT INFORMATION



30 MINUTE
BUILD

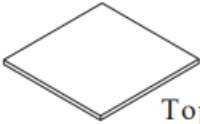







TWO
PERSON



MAXIMUM
CAPACITY 80Kg

PLEASE CHECK CAREFULLY AND MAKE SURE YOU HAVE ALL FITTINGS AND TOOLS LISTED BELOW BEFORE YOU START.

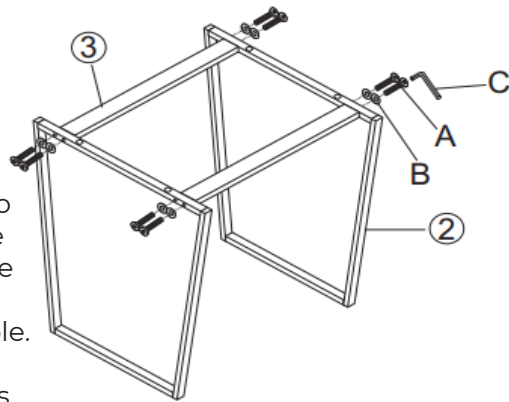
| Parts | | Fixings | |
|-------|---|---------|---|
| ① |  Top x1 | A |  Ø8x50mm x12PCS |
| ② |  Leg x2 | B |  8x22mm x12PCS |
| ③ |  Bar x2 | C |  5mm x1PCS |

NOTE: The quantities above are the correct amount to complete the assembly. In some cases more fittings may be supplied than are required.

STEP 1

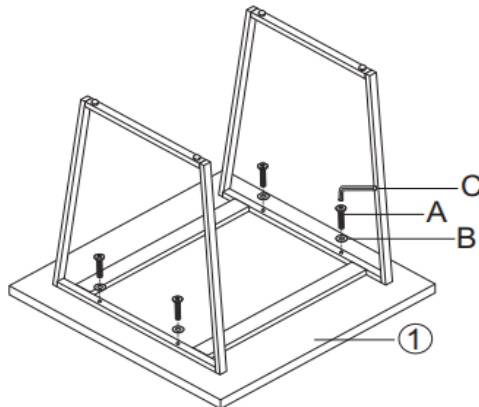
Use a clean, flat, soft surface to avoid any bumps or scratches.

First, connect the two legs [2] to the two support bars [3]. Please ensure the white stickers on the cross bar of the legs are facing the inside of the frame and table. Align the legs with the pre-drilled holes in the support bars and connect using 1x washer [B] followed by 1x bolt [A] per hole - 8 in total. Tighten with Allen key [C].



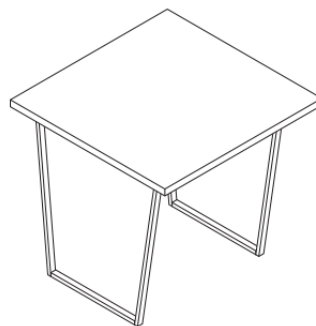
STEP 2

Place the tabletop [1] upside down on the flat, soft surface. Align the pre-drilled holes in the legs with the holes in the tabletop and connect. Use 1x washer [B] followed by 1x bolt [A] per hole - 4 in total. Tighten with Allen key [C].



STEP 3

Carefully, and with help, flip your table upright onto its legs. Check for stability. Your new table is now ready to use.



Follow us on Instagram
@furniturebox_uk

LOOKING GOOD!

Now you've assembled your product find out how to care for your item and keep it looking brand new.



Look for your care guide in the box or visit:
www.furniturebox.co.uk/club/care-guide



OUR 2 YEAR* GUARANTEE

our products come with a 2 year guarantee to give you peace of mind shopping at Furniturebox

*excludes some garden furniture items which have a 1 year guarantee



WHAT THE GUARANTEE COVERS



PRE-INSERTED FIXINGS
e.g. lose metal threads



FAULTY JOINTS
e.g. legs bending



EXTERNAL FIXING FAULTS
e.g. bonding/glue



STRUCTURAL INTEGRITY
e.g. the frame of the product



ACTIVATE YOUR GUARANTEE ONLINE

scan this QR code with your phone to read the full guarantee online and register your product. It only takes a moment to fill out. Or visit: furniturebox.co.uk/our-guarantee

Furniturebox UK, Unit 6, St Modwen's Park,
Chippenham, SN15 5BD
Tel: 01747 863333 Email: sales@furniturebox.co.uk