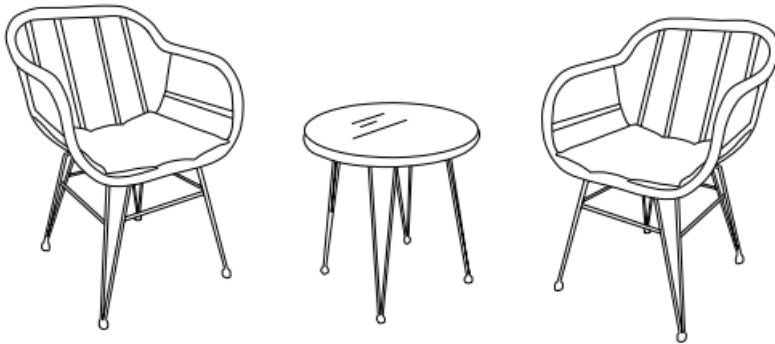




BELIZE BISTRO

ASSEMBLY GUIDE



www.furniturebox.co.uk

Scan QR code for more tips,
advice and assembly video or visit
furniturebox.co.uk/club/belizebistro

Important - Please read these instructions fully before starting assembly



SAFETY AND CARE ADVICE



NO POWER TOOLS

SAFETY AND CARE ADVICE

- Check you have all the components and tools listed.
- Remove all fittings from the plastic bags and separate them into their groups.
- We do not recommend the use of power drills/drivers for inserting screws, as this could damage the unit. Only use hand screwdrivers and Allen keys.
- Keep children and animals away from the work area, small parts could cause choking if swallowed.
- Make sure you have enough space to layout the parts before starting.
- Assemble the item as close to its final position (in the same room) as possible.
- Do not overtighten the nuts to avoid causing damage to the threads.
- Only clean using a damp cloth and mild detergent, do not use bleach or abrasive cleaners.
- From time to time check that there are no loose screws on this unit
- This product should not be discarded with household waste. Take to your local authority waste disposal centre



Follow us on Instagram
@furniturebox_uk

IMPORTANT INFORMATION



30 MINUTE
BUILD



TWO
PERSON

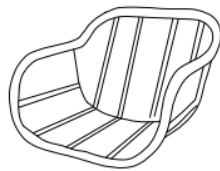


GLASS



TABLE
MAXIMUM
CAPACITY 35Kg

PLEASE CHECK CAREFULLY AND MAKE SURE YOU HAVE ALL FITTINGS AND TOOLS LISTED BELOW BEFORE YOU START.



A.Chair



B.Chair Leg



C.Table Leg



D.Table Top



E.Table Glass



F .Bolt and washer
12X M6*15



G.Allen Key
1X

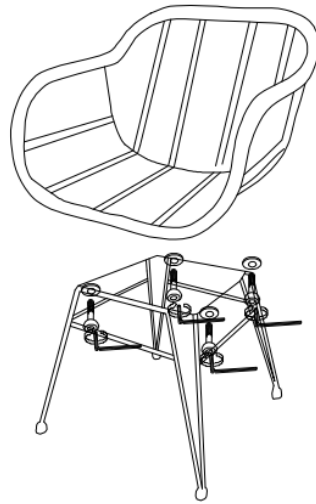
NOTE: The quantities above are the correct amount to complete the assembly. In some cases more fittings may be supplied than are required.



STEP 1

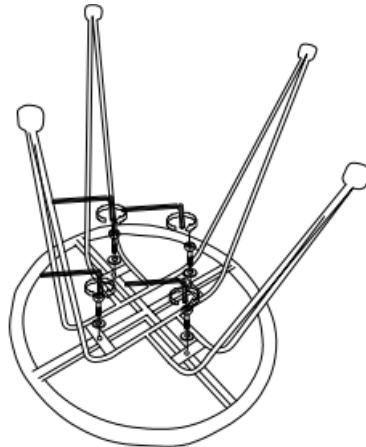
Use a clear, flat, soft surface to avoid bumps or scratches. Lay all your components and fixings out. Note: we recommend you don't fully tighten any of the bolts until everything is fully assembled.

First, assemble your chairs. Attach chair [A] to legs frame [B] using 4 x washers + bolts [F]. Once all bolts are in place, fully tighten with Allen key [G]. Repeat for the 2nd chair.



STEP 2

Next, assemble the table. Place tabletop [D] face down on soft flat surface. Attach table legs [C] using 4x washers + bolts [F]. Once all bolts are in place, fully tighten bolts with Allen key [G].



STEP 3

Carefully, and with help, turn your table over to sit on its feet. Carefully lower glass tabletop [E] onto table frame.



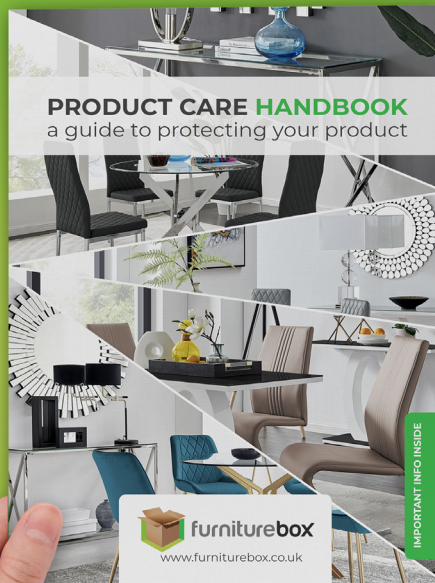
Check stability of all components. Your table and chairs are now ready to use!



Follow us on Instagram
@furniturebox_uk

LOOKING GOOD!

Now you've assembled your product find out how to care for your item and keep it looking brand new.



Look for your care guide in the box or visit:
www.furniturebox.co.uk/club/care-guide



OUR 1 YEAR GUARANTEE

our products come with a 1 year guarantee to give you peace of mind shopping at Furniturebox



WHAT THE GUARANTEE COVERS



PRE-INSERTED FIXINGS

e.g. lose metal threads



FAULTY JOINTS

e.g. legs bending



EXTERNAL FIXING FAULTS

e.g. metal discs removing from table top



STRUCTURAL INTEGRITY

e.g. the frame of the product



ACTIVATE YOUR GUARANTEE ONLINE

scan this QR code with your phone to read the full guarantee online and register your product. It only takes a moment to fill out. Or visit: furniturebox.co.uk/our-guarantee

Furniturebox UK, Unit 6, St Modwen's Park,
Chippenham, SN15 5BD
Tel: 01747 863333 Email: sales@furniturebox.co.uk