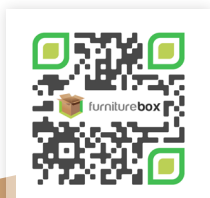
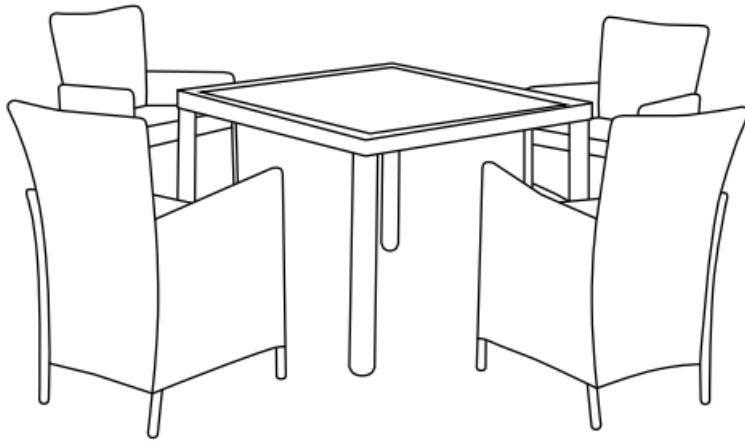




BARBADOS DINING SET

ASSEMBLY GUIDE



SCAN ME

www.furniturebox.co.uk

Scan QR code for more tips,
advice and assembly video or visit
furniturebox.co.uk/club/barbadosdining

Important - Please read these instructions fully before starting assembly



**SAFETY AND
CARE ADVICE**



NO POWER TOOLS

SAFETY AND CARE ADVICE

- Check you have all the components and tools listed.
- Remove all fittings from the plastic bags and separate them into their groups.
- We do not recommend the use of power drills/drivers for inserting screws, as this could damage the unit. Only use hand screwdrivers and Allen keys.
- Keep children and animals away from the work area, small parts could cause choking if swallowed.
- Make sure you have enough space to layout the parts before starting.
- Assemble the item as close to its final position (in the same room) as possible.
- Do not overtighten the nuts to avoid causing damage to the threads.
- Only clean using a damp cloth and mild detergent, do not use bleach or abrasive cleaners.
- From time to time check that there are no loose screws on this unit
- This product should not be discarded with household waste. Take to your local authority waste disposal centre



Follow us on Instagram
@furniturebox_uk

IMPORTANT INFORMATION



1 HOUR
BUILD



TWO
PERSON



GLASS



TABLE
MAXIMUM
CAPACITY 70Kg

PLEASE CHECK CAREFULLY AND MAKE SURE YOU HAVE ALL FITTINGS AND TOOLS LISTED BELOW BEFORE YOU START.



A. Right Arm
4x



B. Left Arm
4x



C. Seat
4x



D. Backrest
4x



E. Cushion
4x



F. Bolt
48x



G. Washer
48x



H. Table Feet
4x



I. Table Frame
1x



J. Table Glass
1x



K. Table Bolt
16x



L. Table
Washer 16x



M. Allen Key

NOTE: The quantities above are the correct amount to complete the assembly. In some cases more fittings may be supplied than are required.



furniturebox

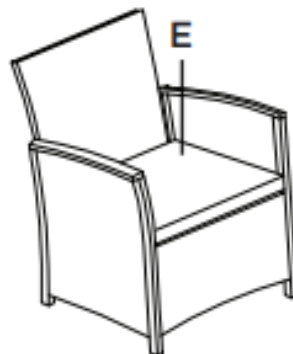
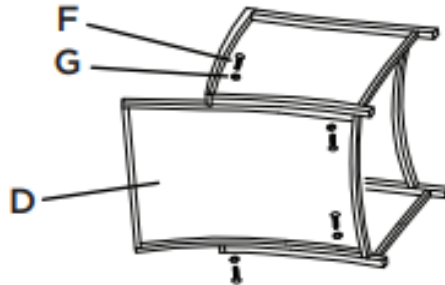
STEP 1

Use a clear, flat, soft surface to avoid bumps or scratches. Lay all your components and fixings out. Note: we recommend you don't fully tighten any of the bolts until everything is fully assembled.

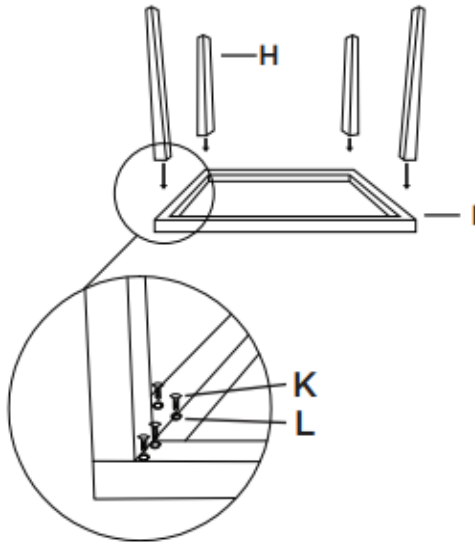
First, assemble your chairs. Attach 1x right chair arm [A] and 1x left chair arm [B] to 1x chair seat [C] and chair back [D] using 12x washers [G] + bolts [F].

Once assembled, fully tighten bolts with Allen key [M], and add cushion [E].

Repeat for all 4 chairs.



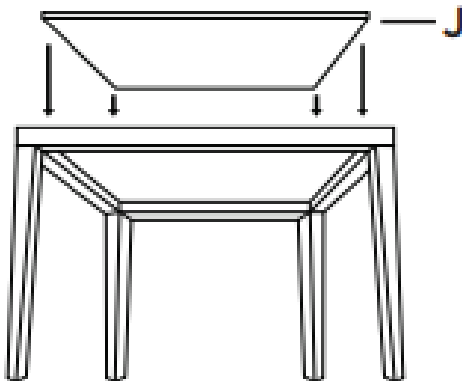
Follow us on Instagram
@furniturebox_uk



STEP 2

Next, assemble the table. Place tabletop [I] face down on soft flat surface. Attach 4x table legs [H]. Each leg requires 4x table washer [L] + 4x table bolts [K].

Once assembled, fully tighten bolts with Allen key [M].



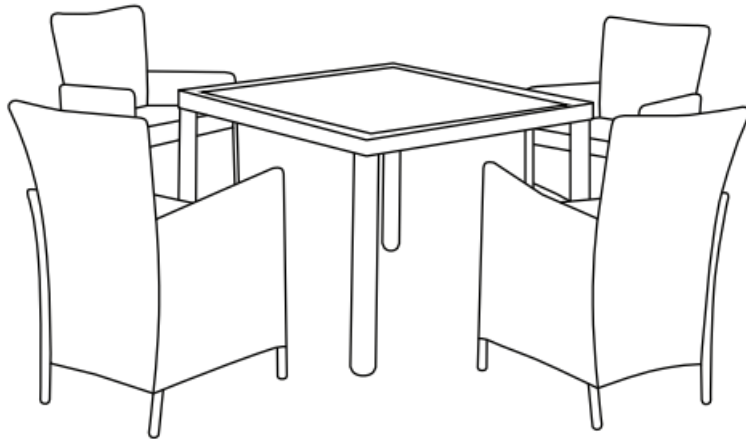
STEP 3

Carefully, and with help, turn your table over to sit on its feet. Carefully lower glass tabletop [J] onto table frame.



STEP 4

Check stability of all components. Your table and chairs are now ready to use!



Follow us on Instagram
[@furniturebox_uk](https://www.instagram.com/furniturebox_uk)

LOOKING GOOD!

Now you've assembled your product find out how to care for your item and keep it looking brand new.



Look for your care guide in the box or visit:
www.furniturebox.co.uk/club/care-guide



OUR 1 YEAR GUARANTEE

our products come with a 1 year guarantee to give you peace of mind shopping at Furniturebox



WHAT THE GUARANTEE COVERS



PRE-INSERTED FIXINGS

e.g. lose metal threads



FAULTY JOINTS

e.g. legs bending



EXTERNAL FIXING FAULTS

e.g. metal discs removing from table top



STRUCTURAL INTEGRITY

e.g. the frame of the product



ACTIVATE YOUR GUARANTEE ONLINE

scan this QR code with your phone to read the full guarantee online and register your product. It only takes a moment to fill out. Or visit: furniturebox.co.uk/our-guarantee

Furniturebox UK, Unit 6, St Modwen's Park,
Chippenham, SN15 5BD
Tel: 01747 863333 Email: sales@furniturebox.co.uk