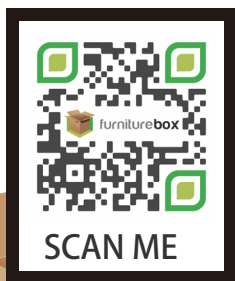
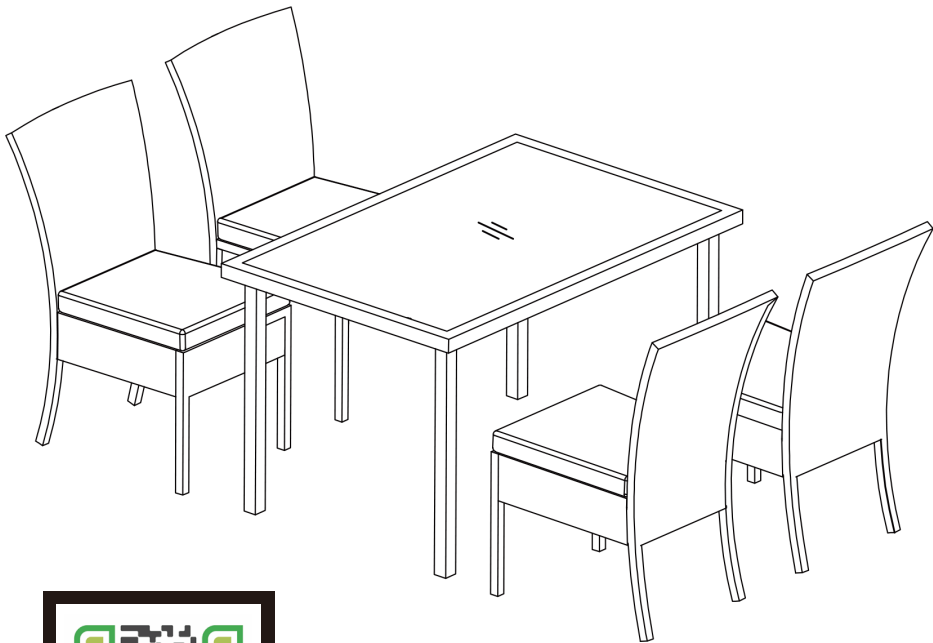


BALI

ASSEMBLY GUIDE



www.furniturebox.co.uk

Scan QR code for more tips, advice
and assembly video or visit
furniturebox.co.uk/club/bali

Important - Please read these instructions fully before starting assembly



**SAFETY AND
CARE ADVICE**



NO POWER TOOLS

SAFETY AND CARE ADVICE

- Check you have all the components and tools listed.
- Remove all fittings from the plastic bags and separate them into their groups.
- We do not recommend the use of power drills/drivers for inserting screws, as this could damage the unit. Only use hand screwdrivers and Allen keys.
- Keep children and animals away from the work area, small parts could cause choking if swallowed.
- Make sure you have enough space to layout the parts before starting.
- Assemble the item as close to its final position (in the same room) as possible.
- Do not overtighten the nuts to avoid causing damage to the threads.
- Only clean using a damp cloth and mild detergent, do not use bleach or abrasive cleaners.
- From time to time check that there are no loose screws on this unit
- This product should not be discarded with household waste. Take to your local authority waste disposal centre



Follow us on Instagram
[@furniturebox_uk](https://www.instagram.com/furniturebox_uk)

IMPORTANT INFORMATION



45 MINUTE
BUILD



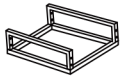

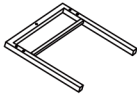



TWO
PERSON



MAXIMUM
CAPACITY 100Kg

PLEASE CHECK CAREFULLY AND MAKE SURE YOU HAVE ALL
FITTINGS AND TOOLS LISTED BELOW BEFORE YOU START.

A 1pc		D 1pc	
B 1pc		E 10pcs M6*40	
C 1pc		F 1pc	

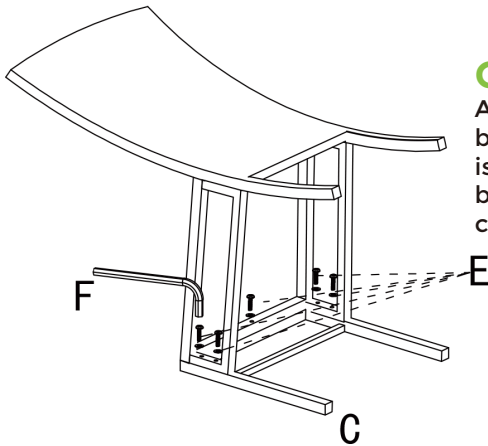
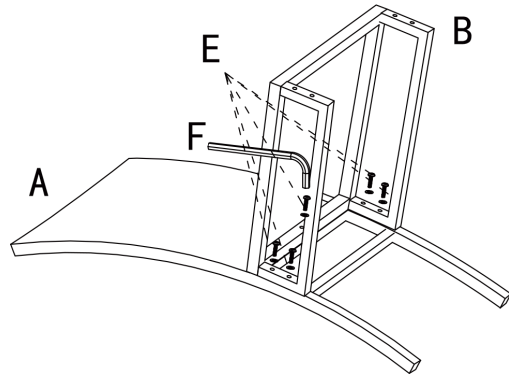
NOTE: The quantities above are the correct amount to complete the assembly. In some cases more fittings may be supplied than are required.

Construct your furniture on a nice flat, soft surface like a carpet, rug, or the lawn, to avoid any bumps and scratches. First, lay out all your pieces and check you have all the items listed on the inventory.

CHAIRS: STEP 1

Place the chair back [A] flat on your flat surface, facing upwards. Connect the seat base [B] using 5x bolt + washer sets [E].

Don't fully tighten the bolts until all the parts are in place.



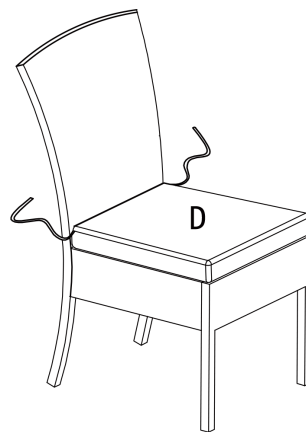
CHAIRS: STEP 2

Attach front legs frame [C] using 5x bolt + washer sets [E]. Once everything is in place, go ahead and tighten the bolts fully with the Allen key [F]. Be careful not to over-tighten them.

CHAIR: STEP 3

Stand your chair upright on its legs. Check for stability. Add seat cushion [D] and secure with the ties. Your chair is now complete!

Repeat for the 3 other chairs.



IMPORTANT INFORMATION



45 MINUTE
BUILD



TWO
PERSON



MAXIMUM
CAPACITY 100Kg

PLEASE CHECK CAREFULLY AND MAKE SURE YOU HAVE ALL FITTINGS AND TOOLS LISTED BELOW BEFORE YOU START.

A 1Ps	
B 4PCs	
C 1Ps	

D 12PCs	 M6*20
E 4PCs	
G 1Ps	

NOTE: The quantities above are the correct amount to complete the assembly. In some cases more fittings may be supplied than are required.

TABLE: STEP 1

Place the tabletop frame [A] face down on your flat surface and attach the 4 legs [B]. Use 3x bolt + washer sets [D] & 1x washer sets [E] per leg and tighten with the Allen key provided. We recommend not fully tightening the bolts until all the legs and bolts are in place.

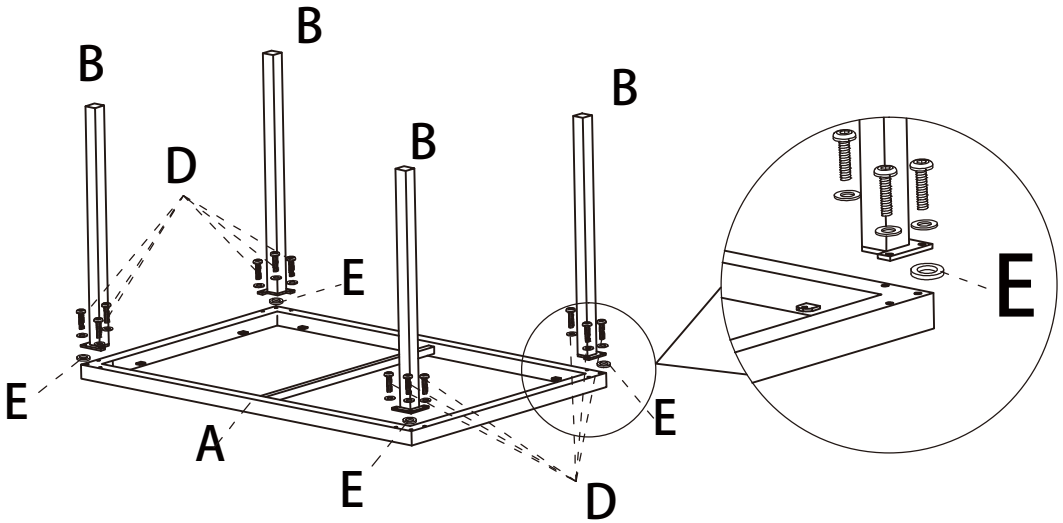
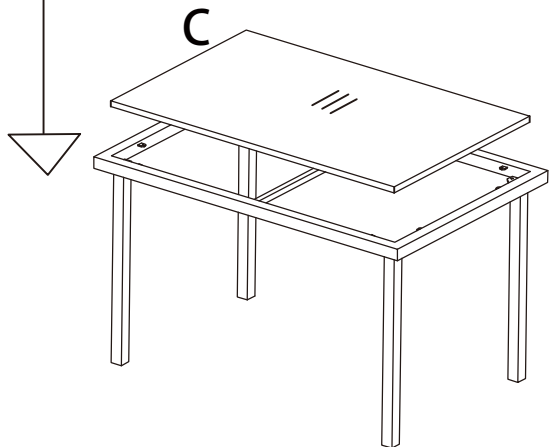
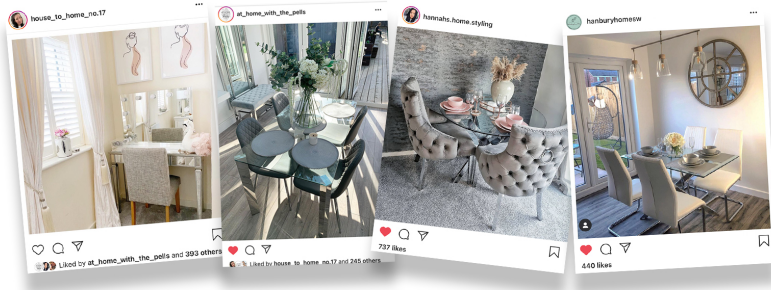


TABLE: STEP 2

Carefully, and with help, flip your table upright onto its legs and check for stability.

Next, carefully lower the tempered glass tabletop [C] onto the table frame. Your table is now complete!





WE **LOVE** INTERIORS! SHARE YOURS WITH US ON SOCIAL MEDIA

1. follow us on Instagram
2. post your interior
3. tag us to be featured



@furnitureboxUK



@furniturebox_uk



@furnitureboxuk

LOOKING GOOD!

Now you've assembled your garden furniture find out how to care for your item and keep it looking brand new.



Look for your care guide in the box or visit:
www.furniturebox.co.uk/club/care-guide

www.furniturebox.co.uk



OUR 1 YEAR GUARANTEE

our products come with a 1 year guarantee to give you peace of mind shopping at Furniturebox



WHAT THE GUARANTEE COVERS



PRE-INSERTED FIXINGS
e.g. lose metal threads



FAULTY JOINTS
e.g. legs bending



EXTERNAL FIXING FAULTS
e.g. metal discs removing from table top



STRUCTURAL INTEGRITY
e.g. the frame of the product



ACTIVATE YOUR GUARANTEE ONLINE

scan this QR code with your phone to read the full guarantee online and register your product. It only takes a moment to fill out. Or visit: furniturebox.co.uk/our-guarantee

Furniturebox UK, Beaumont Business Centre,
Woodlands Road, Mere, Wiltshire, BA12 6BT
Tel: 01747 863333 Email: sales@furniturebox.co.uk