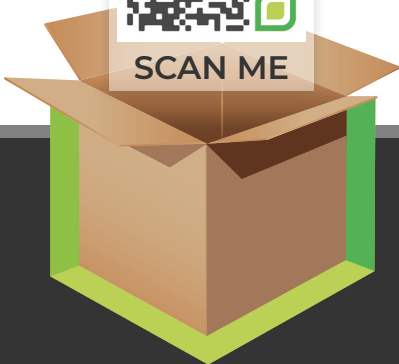
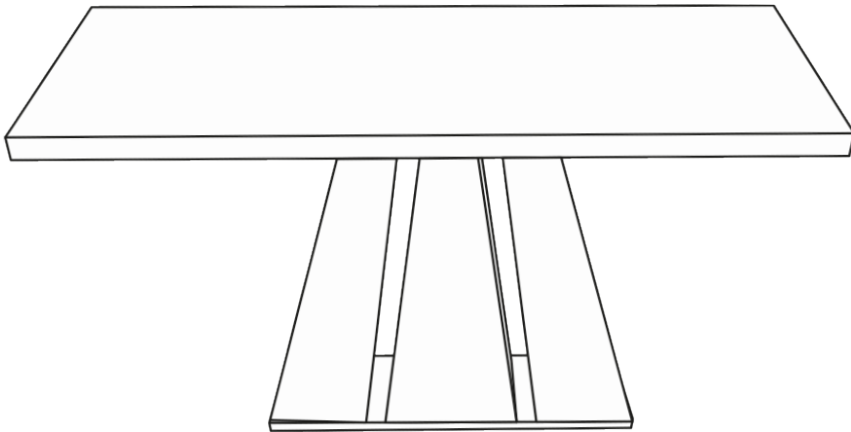




# ATHENS

# DINING TABLE

## ASSEMBLY GUIDE



[www.furniturebox.co.uk](http://www.furniturebox.co.uk)

Scan QR code for more tips,  
advice and assembly video or visit  
[furniturebox.co.uk/club/athens-dining](http://furniturebox.co.uk/club/athens-dining)

**Important - Please read these instructions fully before starting assembly**



**SAFETY AND  
CARE ADVICE**



**NO POWER TOOLS**

### **SAFETY AND CARE ADVICE**

- Check you have all the components and tools listed.
- Remove all fittings from the plastic bags and separate them into their groups.
- We do not recommend the use of power drills/drivers for inserting screws, as this could damage the unit. Only use hand screwdrivers and Allen keys.
- Keep children and animals away from the work area, small parts could cause choking if swallowed.
- Make sure you have enough space to layout the parts before starting.
- Assemble the item as close to its final position (in the same room) as possible.
- Do not overtighten the nuts to avoid causing damage to the threads.
- Only clean using a damp cloth and mild detergent, do not use bleach or abrasive cleaners.
- From time to time check that there are no loose screws on this unit
- This product should not be discarded with household waste. Take to your local authority waste disposal centre



**Follow us on Instagram**  
**@furniturebox\_uk**

## IMPORTANT INFORMATION



30 MINUTE  
BUILD

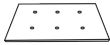

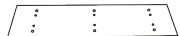

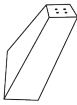


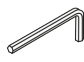




TWO  
PERSON



MAXIMUM  
CAPACITY 100Kg

PLEASE CHECK CAREFULLY AND MAKE SURE YOU HAVE ALL FITTINGS AND TOOLS LISTED BELOW BEFORE YOU START.

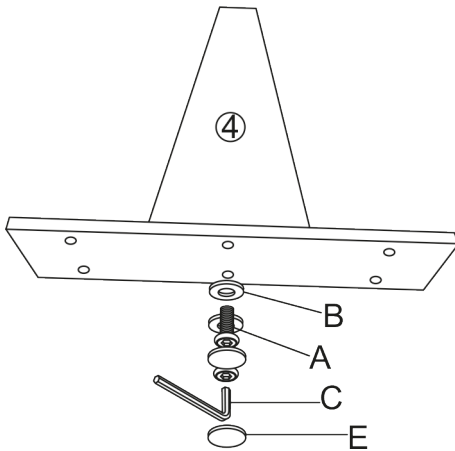
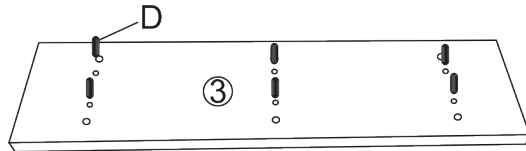
|                                                                                                     |                                                                                                     |                                                                                                 |                                                                                                    |                                                                                                     |
|-----------------------------------------------------------------------------------------------------|-----------------------------------------------------------------------------------------------------|-------------------------------------------------------------------------------------------------|----------------------------------------------------------------------------------------------------|-----------------------------------------------------------------------------------------------------|
| ①x1<br>            | ②x1<br>            | ③x1<br>        | ④x1<br>           | ⑤x2<br>          |
| AX24<br><br>Ø8X35 | BX24<br><br>Ø8X22 | CX1<br><br>M5 | DX6<br><br>Ø8X30 | EX12<br><br>Ø30 |

**NOTE:** The quantities above are the correct amount to complete the assembly. In some cases more fittings may be supplied than are required.

## STEP 1

Use a clear, flat, soft surface to avoid bumps or scratches.

First, take base plate [3] and add 6x wooden dowels [D].

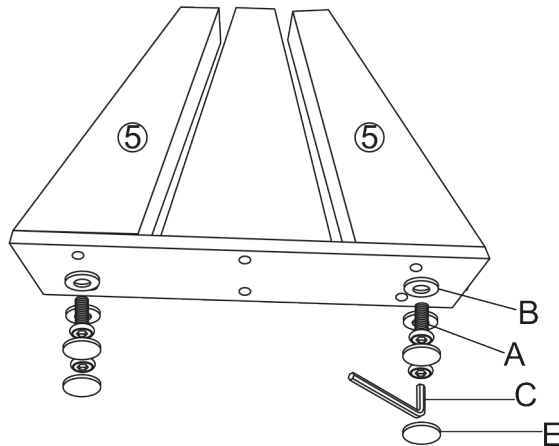


## STEP 2

Next, connect the central leg [4] to the base plate [3] using 2x washer [B] followed by screw [A]. Tighten with Allen key [C] then cover holes with 2x pads [E].

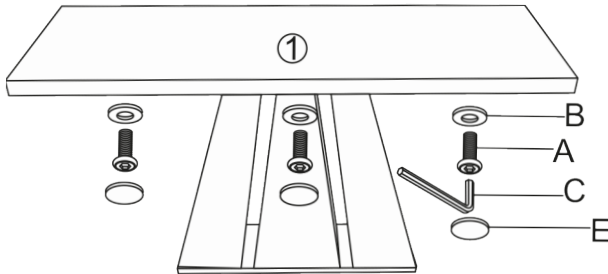
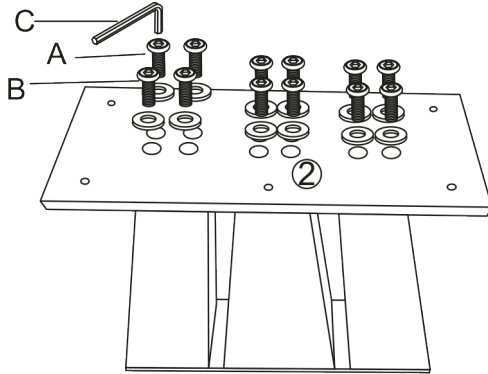
## STEP 3

Connect both the outer legs [5] to the base plate [3]. Use 2x washer [B] followed by screw [A]. Tighten with Allen key [C] then cover holes with 2x pads [E].



## STEP 4

Attach connecting plate [2] to the tops of the table legs. Use 4 x washers [B] followed by screws [A] per leg - 12 washers and screws total. Tighten with Allen key [C].

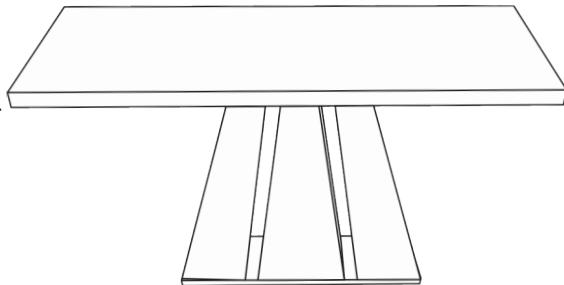


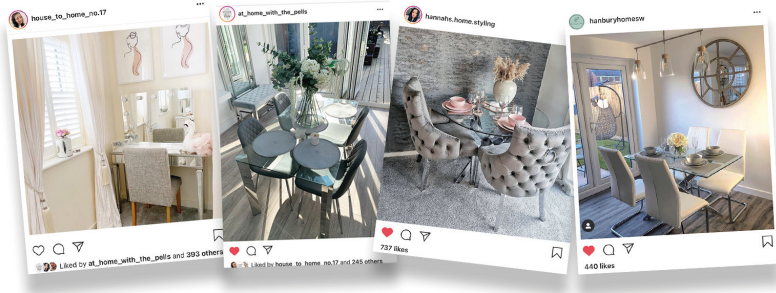
## STEP 5

Carefully place table top [1] on top of connecting plate [2]. Line up the holes and secure the connecting plate to the table top using 6 x washer [B] then screw [A] - 3 sets on each side. Tighten with Allen key [C] and cover holes with 6 x pads [E].

## STEP 6

**ATTENTION:** Check stability. Your table is now ready to use.





## WE **LOVE** INTERIORS! SHARE YOURS WITH US ON SOCIAL MEDIA

1. follow us on Instagram
2. post your interior
3. tag us to be featured



@furnitureboxUK



@furniturebox\_uk



@furnitureboxuk

# LOOKING GOOD!

Now you've assembled your product find out how to care for your item and keep it looking brand new.



Look for your care guide in the box or visit:  
[www.furniturebox.co.uk/club/care-guide](http://www.furniturebox.co.uk/club/care-guide)

[www.furniturebox.co.uk](http://www.furniturebox.co.uk)



## OUR 1 YEAR GUARANTEE

our products come with a 1 year guarantee to give you peace of mind shopping at Furniturebox



## WHAT THE GUARANTEE COVERS



### PRE-INSERTED FIXINGS

e.g. lose metal threads



### FAULTY JOINTS

e.g. legs bending



### EXTERNAL FIXING FAULTS

e.g. metal discs removing from table top



### STRUCTURAL INTEGRITY

e.g. the frame of the product



## ACTIVATE YOUR GUARANTEE ONLINE

scan this QR code with your phone to read the full guarantee online and register your product. It only takes a moment to fill out. Or visit: [furniturebox.co.uk/our-guarantee](https://furniturebox.co.uk/our-guarantee)

Furniturebox UK, Beaumont Business Centre,  
Woodlands Road, Mere, Wiltshire, BA12 6BT  
Tel: 01747 863333 Email: [sales@furniturebox.co.uk](mailto:sales@furniturebox.co.uk)