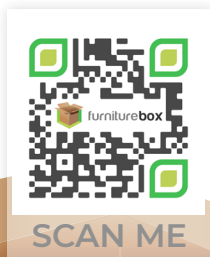
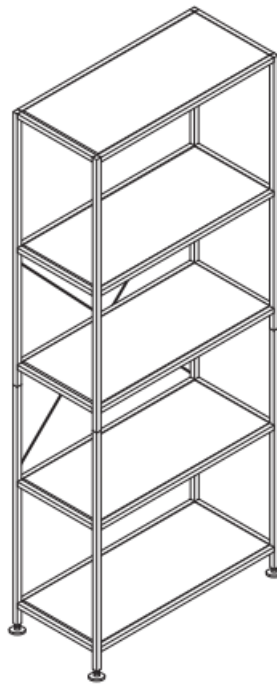




ASHTON BOX SHELVES

ASSEMBLY GUIDE



www.furniturebox.co.uk

Scan QR code for more tips,
advice and assembly video or visit
furniturebox.co.uk/club/ashton

Important - Please read these instructions fully before starting assembly



SAFETY AND CARE ADVICE



NO POWER TOOLS

SAFETY AND CARE ADVICE

- Check you have all the components and tools listed.
- Remove all fittings from the plastic bags and separate them into their groups.
- We do not recommend the use of power drills/drivers for inserting screws, as this could damage the unit. Only use hand screwdrivers and Allen keys.
- Keep children and animals away from the work area, small parts could cause choking if swallowed.
- Make sure you have enough space to layout the parts before starting.
- Assemble the item as close to its final position (in the same room) as possible.
- Do not overtighten the nuts to avoid causing damage to the threads.
- Only clean using a damp cloth and mild detergent, do not use bleach or abrasive cleaners.
- From time to time check that there are no loose screws on this unit
- This product should not be discarded with household waste. Take to your local authority waste disposal centre



Follow us on Instagram
@furniturebox_uk

IMPORTANT INFORMATION



1 HOUR
BUILD











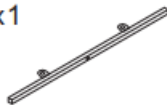




TWO
PERSON



MAXIMUM
CAPACITY 50Kg

PLEASE CHECK CAREFULLY AND MAKE SURE YOU HAVE ALL FITTINGS AND TOOLS LISTED BELOW BEFORE YOU START.

① x1 	⑦ x4 	
② x1 	⑧ x5 	
③ x1 	Ax33  M6x16mm	
④ x1 	Bx33  Ø6x18mm	
⑤ x9 	Cx1  5mm	
⑥ x1 	Dx4  Ø6	Ex4 

NOTE: The quantities above are the correct amount to complete the assembly. In some cases more fittings may be supplied than are required.

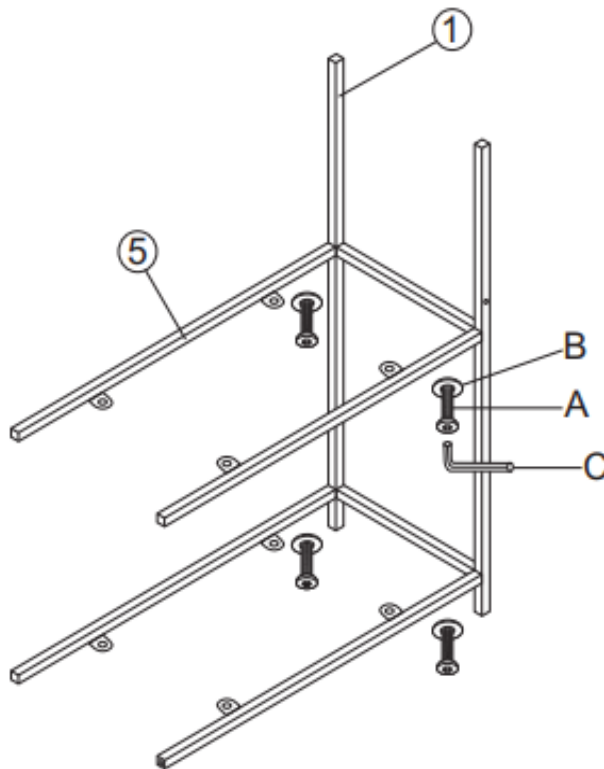
STEP 1

Use a clean, flat, soft surface to avoid any bumps or scratches.

Diagrams & instructions show assembly with back of unit facing you to begin with.

First, assemble the lower section of the unit.

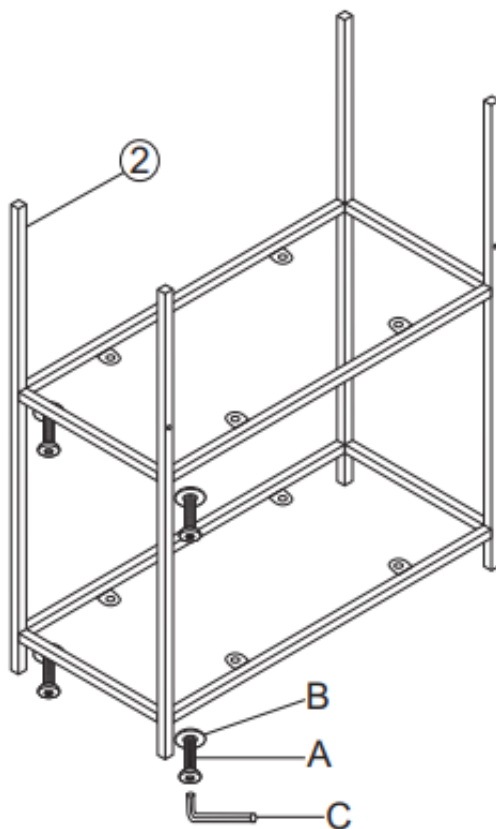
Take bottom side panel [1] and attach 4 x shelf beams [5]. Align pre-drilled holes and connect using 1 x washer [B] + bolt [A] for each shelf beam - 4 in total. Tighten with Allen key [C].



Follow us on Instagram
@furniturebox_uk

STEP 2

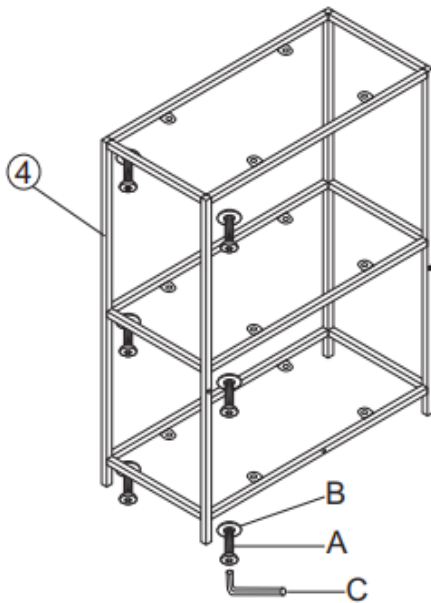
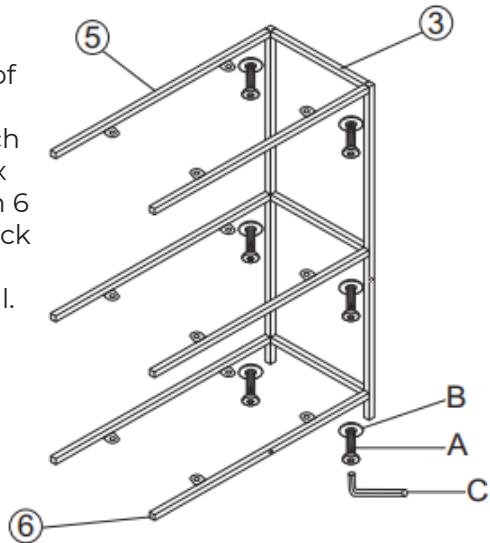
Attach bottom side panel [2] using 1 x washer [B] + bolt [A] for each shelf beam - 4 in total. Tighten with Allen key [C].



STEP 3

Next, assemble the top section of the unit.

Take top side panel [3] and attach 6 shelf beams as per diagram. 5x beam [5] and 1x beam [6] - beam 6 has a central hole in it for the back brace. Secure shelf beams using 1x washer [B] + bolt [A] - 6 in total. Tighten with Allen key [C].



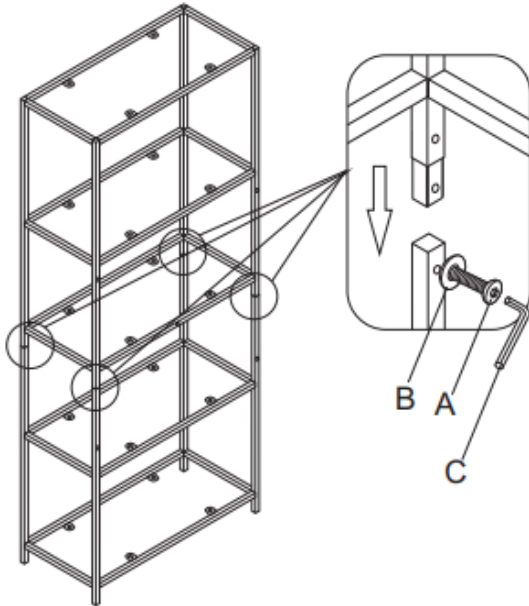
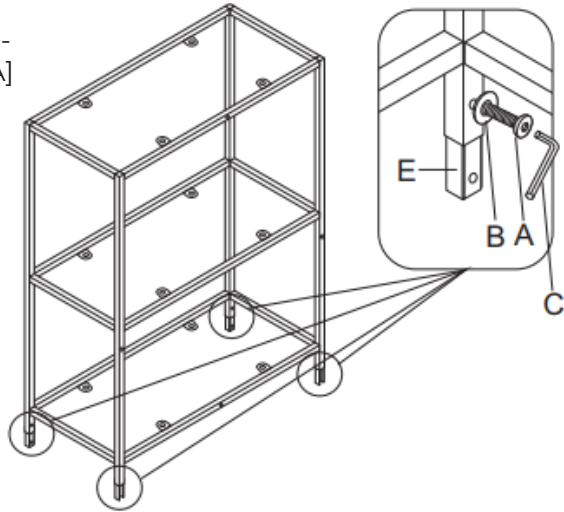
STEP 4

Attach top side panel [4] using 1x washer [B] + bolt [A] - 6 in total. Tighten with Allen key [C].



STEP 5

Attach 4x connecting plates [E] as per diagram - use 1x washer [B] + bolt [A] - 4 in total. Tighten with Allen key [C].

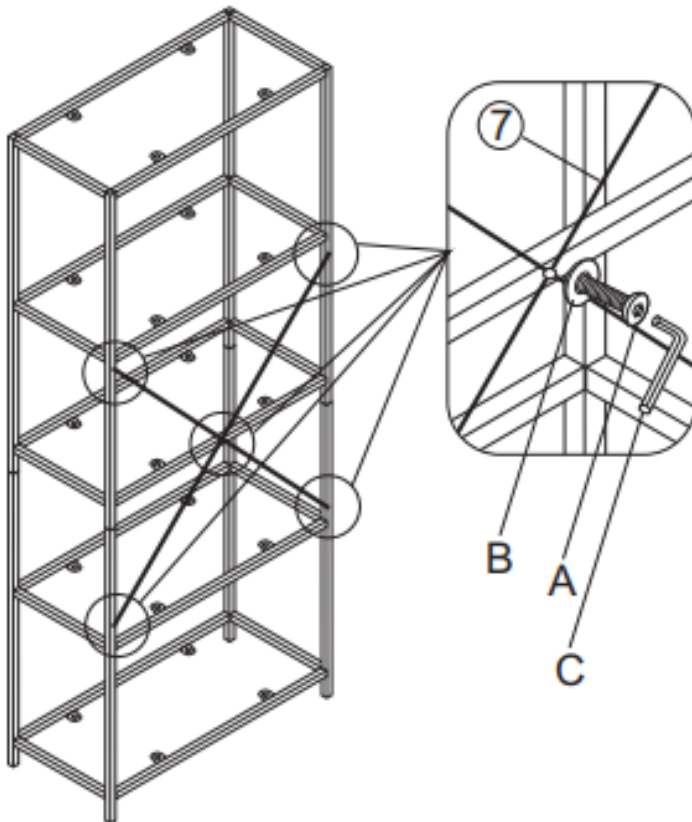


STEP 6

Carefully, and with help, lift the completed top section and slot the connecting plates [E] into the frame of the lower section. Secure with 1x washer [B] + bolt [A] - 4 in total. Tighten with Allen key [C].

STEP 7

Now attach the back support brace [7]. Connect each end, and the centre, of the X shaped brace to the pre-drilled holes in shelf beams. Use 1x washer [B] + bolt [A] - 5 in total. Tighten with Allen key [C].



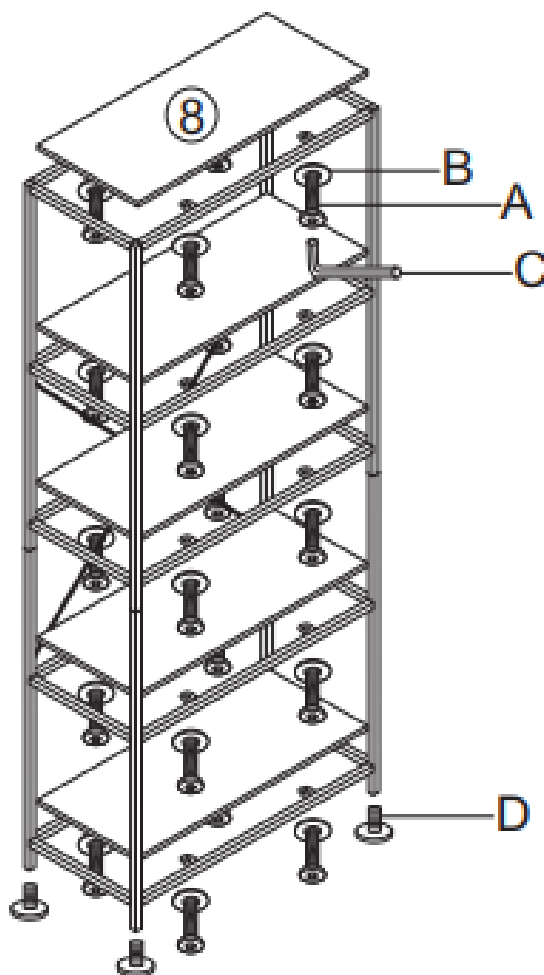
Follow us on Instagram
@furniturebox_uk

STEP 8

Turn the shelving unit around so the front faces you.

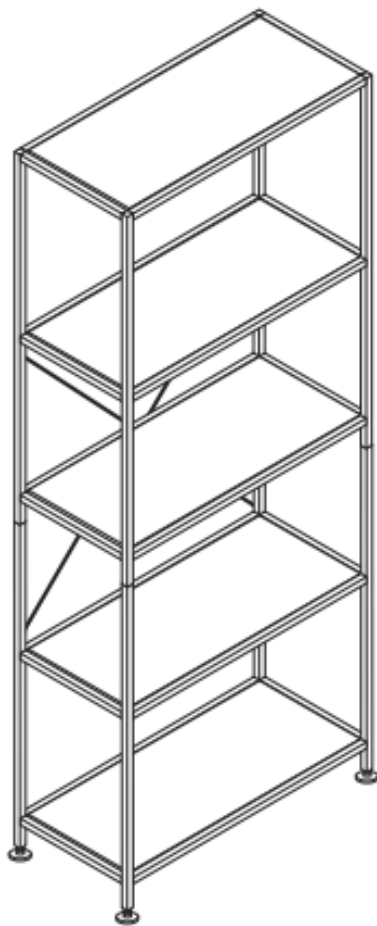
Now connect the 5x shelves [8]. Align pre-drilled holes in shelves with the tabs on the shelf beams, and secure using 4x washer [B] + bolt [A] for each shelf - 20 in total. Tighten with Allen key [C].

Add 4x feet [D] to the bottom legs.



STEP 9

Check stability - your shelves are now complete. We strongly advise you use the anti-tipping kit provided to secure your shelves to the wall- see overleaf.








Follow us on Instagram
[@furniturebox_uk](https://www.instagram.com/furniturebox_uk)

Anti Tipping Kit Instructions

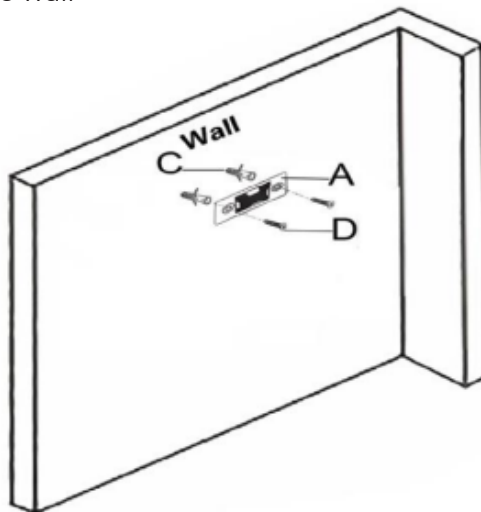
Warning: Unfixed furniture may tip over. We strongly advise you use the anti-tipping kit provided to secure your shelves to the wall. Please use appropriate fixings for your wall and get professional advice if unsure.

Fixings -

A-Gasket	B-Strap	C-Bulge tube	D-Bulge core	E-Screw
				
X4	X2	X4	X4	X4

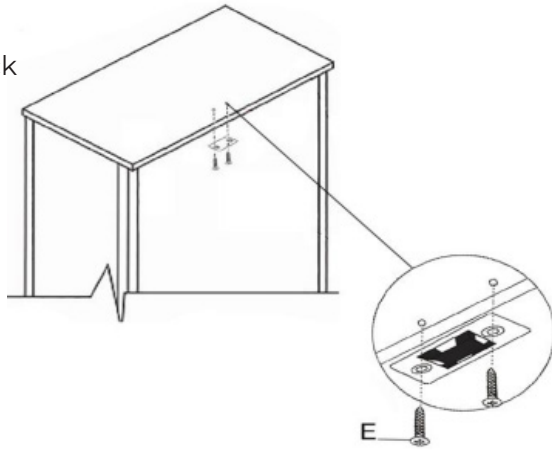
STEP 1

Fasten 1x fixing block [A] onto the corresponding position of the wall with the bulge tube [C] and core [D]



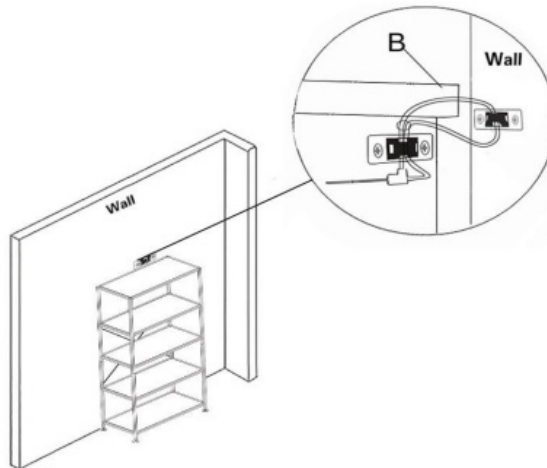
STEP 2

Fasten a second fixing block [A] at the corresponding position on the back of the shelving top plate with screws [E]



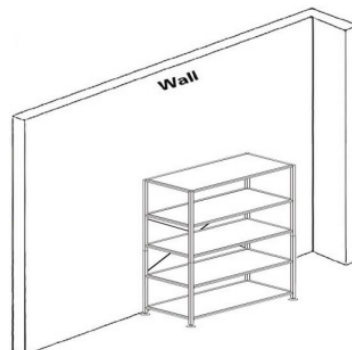
STEP 3

Loop the strap [B] through both fixing blocks [A] - on the wall and on the back of the shelves. Then lock both end of the fixing strip [B] tight.



STEP 4

Your shelves are now secured to the wall to prevent tipping.



Follow us on Instagram
@furniturebox_uk

LOOKING GOOD!

Now you've assembled your product find out how to care for your item and keep it looking brand new.



Look for your care guide in the box or visit:
www.furniturebox.co.uk/club/care-guide



OUR 2 YEAR* GUARANTEE

our products come with a 2 year guarantee to give you peace of mind shopping at Furniturebox

*excludes some garden furniture items which have a 1 year guarantee



WHAT THE GUARANTEE COVERS



PRE-INSERTED FIXINGS
e.g. lose metal threads



FAULTY JOINTS
e.g. legs bending



EXTERNAL FIXING FAULTS
e.g. bonding/glue



STRUCTURAL INTEGRITY
e.g. the frame of the product



ACTIVATE YOUR GUARANTEE ONLINE

scan this QR code with your phone to read the full guarantee online and register your product. It only takes a moment to fill out. Or visit: furniturebox.co.uk/our-guarantee

Furniturebox UK, Unit 6, St Modwen's Park,
Chippenham, SN15 5BD
Tel: 01747 863333 Email: sales@furniturebox.co.uk