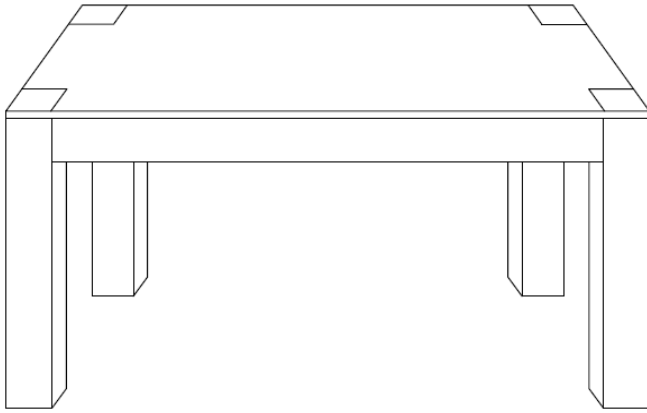


ANDERS 4

ASSEMBLY GUIDE



www.furniturebox.co.uk

Scan QR code for more tips,
advice and assembly video or visit
furniturebox.co.uk/club/anders

Important - Please read these instructions fully before starting assembly



SAFETY AND CARE ADVICE



NO POWER TOOLS

SAFETY AND CARE ADVICE

- Check you have all the components and tools listed.
- Remove all fittings from the plastic bags and separate them into their groups.
- We do not recommend the use of power drills/drivers for inserting screws, as this could damage the unit. Only use hand screwdrivers and Allen keys.
- Keep children and animals away from the work area, small parts could cause choking if swallowed.
- Make sure you have enough space to layout the parts before starting.
- Assemble the item as close to its final position (in the same room) as possible.
- Do not overtighten the nuts to avoid causing damage to the threads.
- Only clean using a soft dry cloth to remove dust. Use a wood cleaner / protection agent to remove dirt and grime, and restore the sheen to the wood finish. Do NOT use bleach or abrasive cleaners.
- Harsh chemicals should not be used to clean wooden furniture. Using chemicals can damage the finish and cause color differences in the wood.
- From time to time check that there are no loose screws on this unit
- Keep out of direct sunlight to avoid sun and light damage and colour bleaching
- Keep away from direct heating and cooling surfaces as this can affect the moisture content of the wood.
- Do not drag wooden furniture. Always lift the item to avoid scratches to flooring as well as damage to the furniture legs.
- Always use coasters underneath hot objects to keep from getting white rings or spots in the finish.
- This product should not be discarded with household waste. Take to your local authority waste disposal centre
- Keep sharp or pointed items away from the furniture to avoid scratches.



IMPORTANT INFORMATION



10 MINUTE
BUILD

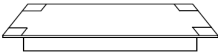






MAXIMUM
CAPACITY 100Kg



2 PERSON
BUILD

PLEASE CHECK CAREFULLY AND MAKE SURE YOU HAVE ALL FITTINGS AND TOOLS LISTED BELOW BEFORE YOU START.

A  TOP - 1 QTY.		B  LEG - 4 QTY.	
C  BOLT - 8 QTY.	D  WASHER - 8 QTY.	E  SPANNER - 1 QTY.	

NOTE: The quantities above are the correct amount to complete the assembly. In some cases more fittings may be supplied than are required.

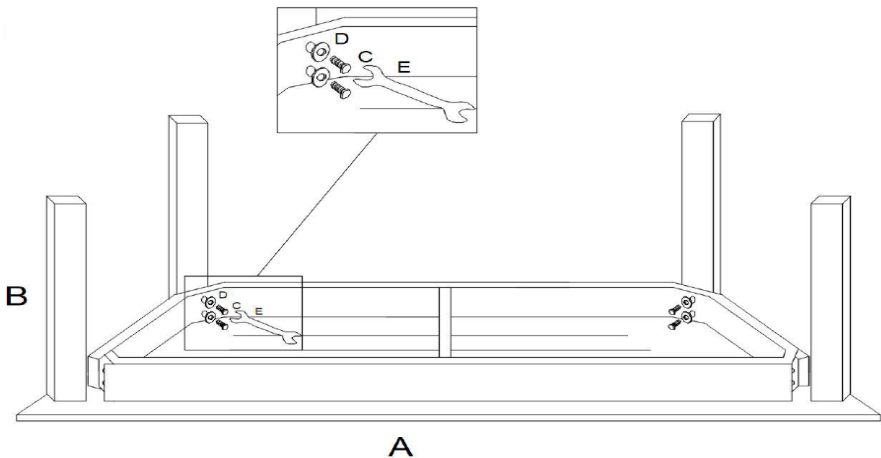


STEP 1

Assemble on a clean, flat soft surface to avoid any bumps or scratches. Note that this piece features solid wood, and so will be quite heavy. Please lift and move it carefully, always with help, to avoid any injuries.

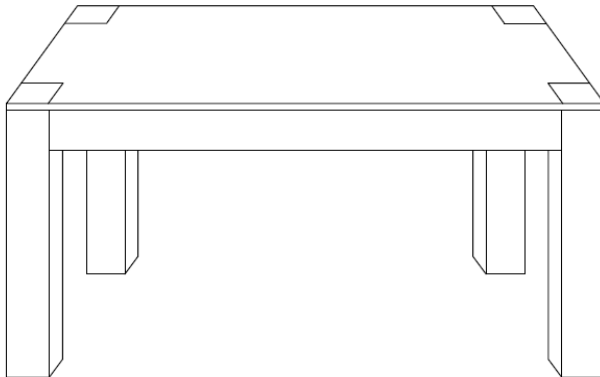
Place tabletop [A] upside down on flat surface. Align all 4 legs [B] with the pre-drilled holes.

Attach the legs using 1 x washer [D] followed by 1 x bolts [C] for each hole - 2 per leg, 8 in total. Tighten using wrench key [E].



STEP 2

Carefully and with help turn your dining table over onto its feet. Check stability. Your new dining table is ready to use.



LOOKING GOOD!

Now you've assembled your product find out how to care for your item and keep it looking brand new.



Look for your care guide in the box or visit:
www.furniturebox.co.uk/club/care-guide



OUR 1 YEAR GUARANTEE

our products come with a 1 year guarantee to give you peace of mind shopping at Furniturebox



WHAT THE GUARANTEE COVERS



PRE-INSERTED FIXINGS

e.g. lose metal threads



FAULTY JOINTS

e.g. legs bending



EXTERNAL FIXING FAULTS

e.g. metal discs removing from table top



STRUCTURAL INTEGRITY

e.g. the frame of the product



ACTIVATE YOUR GUARANTEE ONLINE

scan this QR code with your phone to read the full guarantee online and register your product. It only takes a moment to fill out. Or visit: furniturebox.co.uk/our-guarantee

Furniturebox UK, Beaumont Business Centre,
Woodlands Road, Mere, Wiltshire, BA12 6BT
Tel: 01747 863333 Email: sales@furniturebox.co.uk