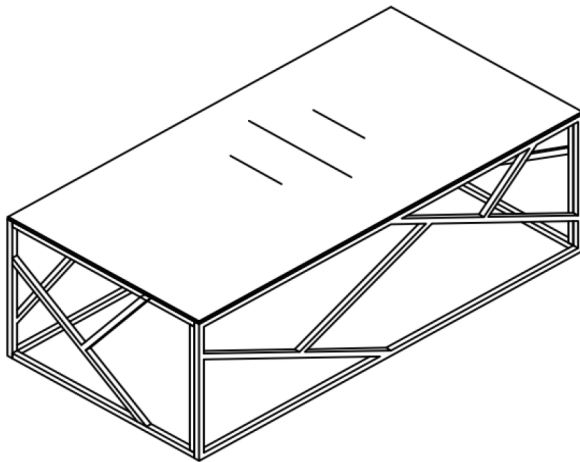


AMALFI COFFEE TABLE

ASSEMBLY GUIDE



SCAN ME



www.furniturebox.co.uk

Scan QR code for more tips,
advice and assembly video or visit
furniturebox.co.uk/club/amalficoffee



Important - Please read these instructions fully before starting assembly



**SAFETY AND
CARE ADVICE**



NO POWER TOOLS

SAFETY AND CARE ADVICE

- Check you have all the components and tools listed.
- Remove all fittings from the plastic bags and separate them into their groups.
- We do not recommend the use of power drills/drivers for inserting screws, as this could damage the unit. Only use hand screwdrivers and Allen keys.
- Keep children and animals away from the work area, small parts could cause choking if swallowed.
- Make sure you have enough space to layout the parts before starting.
- Assemble the item as close to its final position (in the same room) as possible.
- Do not overtighten the nuts to avoid causing damage to the threads.
- Only clean using a damp cloth and mild detergent, do not use bleach or abrasive cleaners.
- From time to time check that there are no loose screws on this unit
- This product should not be discarded with household waste. Take to your local authority waste disposal centre



IMPORTANT INFORMATION



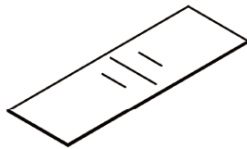
45 MINUTE
BUILD



MAXIMUM
CAPACITY 100Kg

PLEASE CHECK CAREFULLY AND MAKE SURE YOU HAVE ALL FITTINGS AND TOOLS LISTED BELOW BEFORE YOU START.

① X1








② X2



③ X2



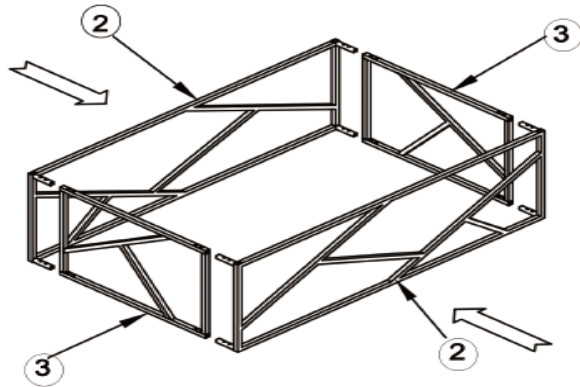
				
ROD X16	Washers X16	Allenkey X1	ConnectingPiece X4	X4

NOTE: The quantities above are the correct amount to complete the assembly. In some cases more fittings may be supplied than are required.



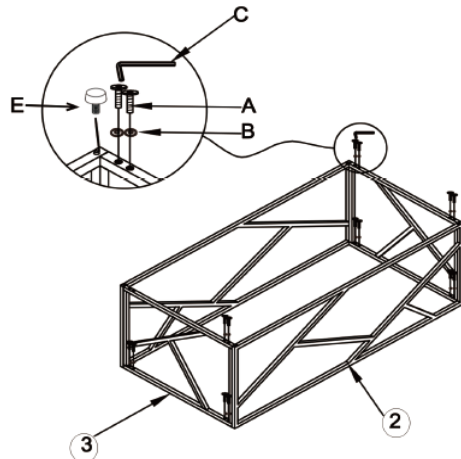
STEP 1

Assemble on a clean, flat soft surface to avoid any bumps or scratches. Connect the 4 side panels by slotting the 2 x side panels [2] into the 2 x end panels [3]



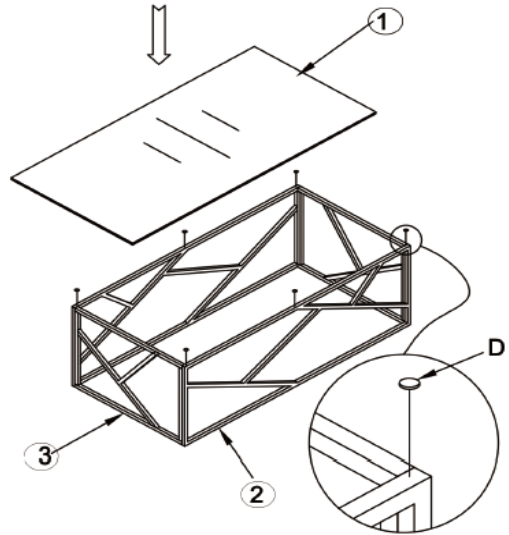
STEP 2

Secure the frame using 2 x washers [B] followed by 2 x screws [A] on each of the 4 corners, top and bottom. We recommend not tightening the screws until they are all in place. Once they are, tighten with Allen key [C]. Then screw in 4 x feet [E].



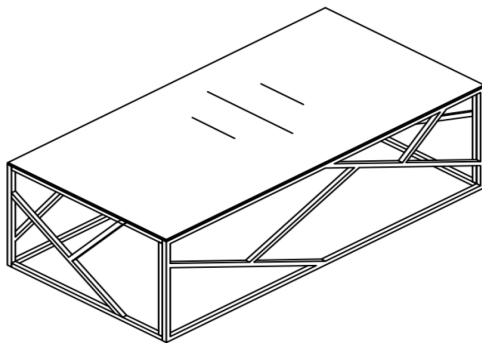
STEP 3

Flip the table frame over so it sits on its feet and add the 4 x non-slip tabletop connector pads [D].



STEP 4

Carefully, with help, lower the tabletop [1] onto the frame. Check stability. Your coffee table is now ready to use.



LOOKING GOOD!

Now you've assembled your product find out how to care for your item and keep it looking brand new.



Look for your care guide in the box or visit:
www.furniturebox.co.uk/club/care-guide



OUR 1 YEAR GUARANTEE

our products come with a 1 year guarantee to give you peace of mind shopping at Furniturebox



WHAT THE GUARANTEE COVERS



PRE-INSERTED FIXINGS

e.g. lose metal threads



FAULTY JOINTS

e.g. legs bending



EXTERNAL FIXING FAULTS

e.g. metal discs removing from table top



STRUCTURAL INTEGRITY

e.g. the frame of the product



ACTIVATE YOUR GUARANTEE ONLINE

scan this QR code with your phone to read the full guarantee online and register your product. It only takes a moment to fill out. Or visit: furniturebox.co.uk/our-guarantee

Furniturebox UK, Beaumont Business Centre,
Woodlands Road, Mere, Wiltshire, BA12 6BT
Tel: 01747 863333 Email: sales@furniturebox.co.uk