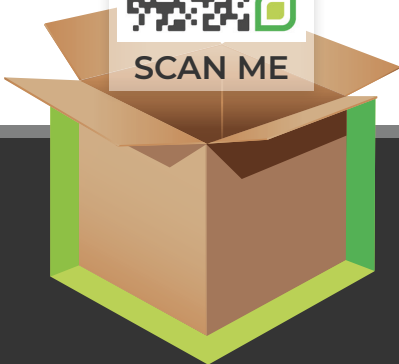
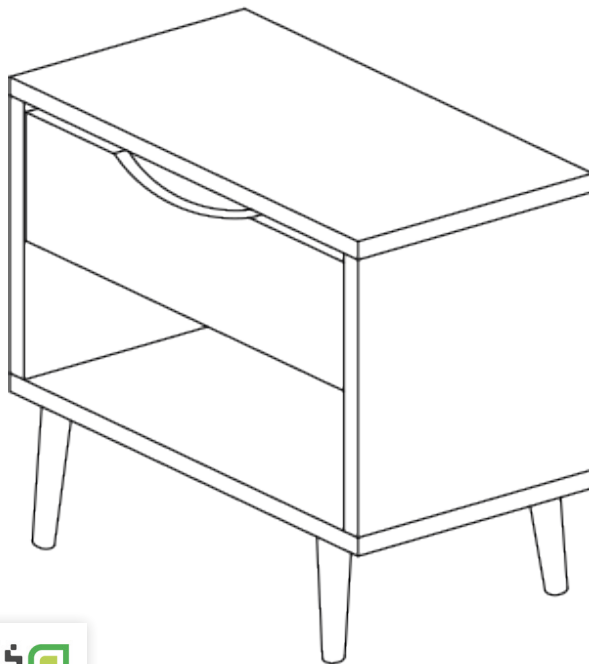




ALMA BEDSIDE TABLE

ASSEMBLY GUIDE



www.furniturebox.co.uk

Scan QR code for more tips,
advice and assembly video or visit
furniturebox.co.uk/club/alexa-bedside



SAFETY AND CARE ADVICE



NO POWER TOOLS

SAFETY AND CARE ADVICE

- Check you have all the components and tools listed.
- Remove all fittings from the plastic bags and separate them into their groups.
- We do not recommend the use of power drills/drivers for inserting screws, as this could damage the unit. Only use hand screwdrivers and Allen keys.
- Keep children and animals away from the work area, small parts could cause choking if swallowed.
- Make sure you have enough space to layout the parts before starting.
- Assemble the item as close to its final position (in the same room) as possible.
- Do not overtighten the nuts to avoid causing damage to the threads.
- Only clean using a damp cloth and mild detergent, do not use bleach or abrasive cleaners.
- From time to time check that there are no loose screws on this unit
- This product should not be discarded with household waste. Take to your local authority waste disposal centre



Follow us on Instagram
@furniturebox_uk

IMPORTANT INFORMATION



45 MINUTE
BUILD



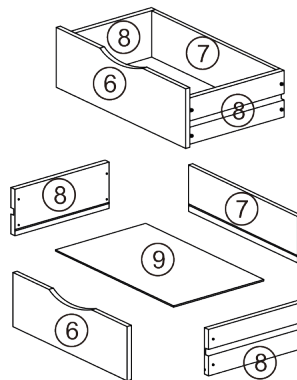
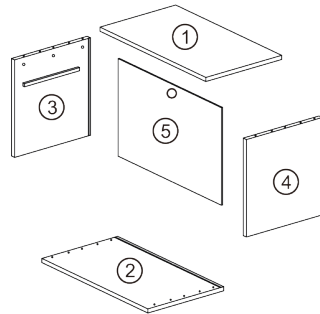
TWO
PERSON



MAXIMUM
CAPACITY 25Kg

PLEASE CHECK CAREFULLY AND MAKE SURE YOU HAVE ALL FITTINGS AND TOOLS LISTED BELOW BEFORE YOU START.

- ① - Top Board*1
- ② - Bottom Board*1
- ③ - Left Side Board*1
- ④ - Right Side Board*1
- ⑤ - Back Board*1
- ⑥ - Drawer Front Piece*1
- ⑦ - Drawer Back Piece*1
- ⑧ - Drawer Side Piece*2
- ⑨ - Drawer Bottom Piece*1



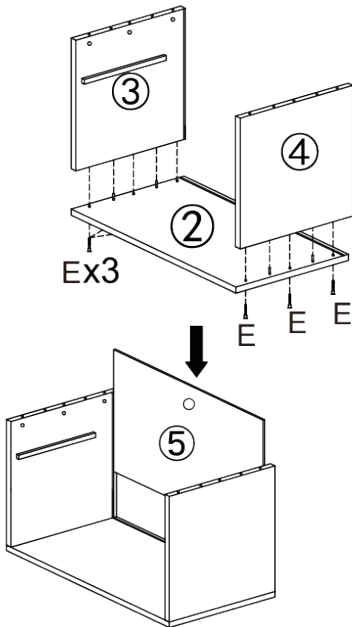
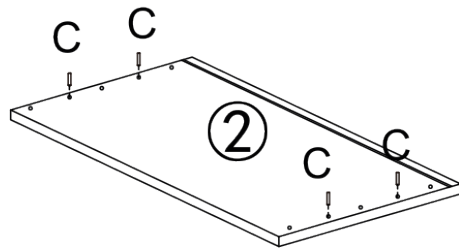
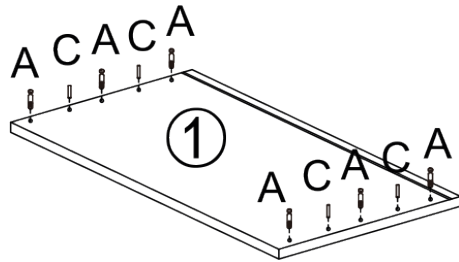
A	Cam Screw	*6
B	Cam Lock Nut	*6
C	Wooden Dowel	*8
D	Ø3.5x25mm Self Tapping Screw	*8
E	Ø7x50mm Long Screw	*6
F	Screw Driver	*1
G	Leg	*4
H	Feet pad	*4

NOTE: The quantities above are the correct amount to complete the assembly. In some cases more fittings may be supplied than are required.

STEP 1

Put the pieces on the soft flat surface e.g. a carpet to avoid scratching. Make sure that you have all pieces and components ready to build the bedside table.

Insert Cam screw (A) and wooden dowel (C) into the corresponding hole at the top board (1), and insert wooden dowel (C) into corresponding hole of the bottom board (2)



STEP 2

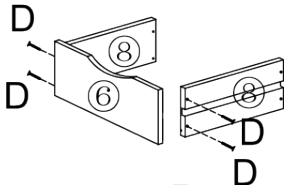
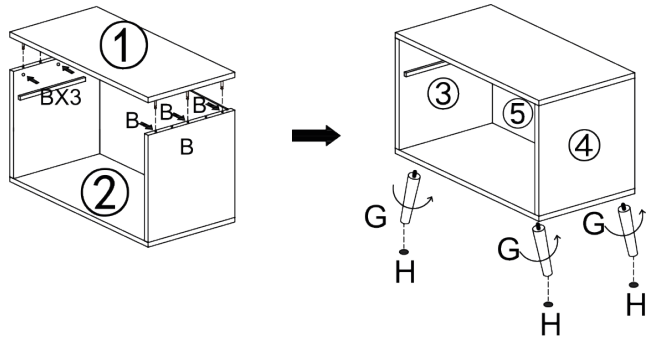
Connect the side board (3), (4) with the bottom board (2) use the ling screws (E). Connect the back board (5) with the side board (3), (4) and the bottom board (2) together.



Follow us on Instagram
@furniturebox_uk

STEP 3

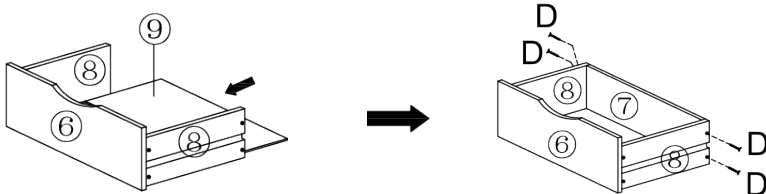
Assemble the top board (1) with the side boards (3) (4) and then the back board (5). Tighten using cam lock nuts (B). Install the wooden leg (G) and stick on the waterproof feet pad (H).



STEP 4

Assemble the drawers, connect the drawer front piece (6), drawer side piece (7), (8) and bottom drawer piece (9), tighten with screws (D).

ATTENTION: Be careful not to overload drawers.



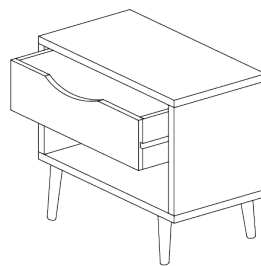
STEP 5

Install the assembled drawers in the assembled cabinet.

Then use fastening clips to secure cabinet back with 16mm screws.

Assembly complete.

ATTENTION: The Anti Tipping Kit **MUST** be used to connect the cabinet to the wall to prevent tipping over.





WE **L♥VE** INTERIORS! SHARE
YOURS WITH US ON SOCIAL MEDIA

1. follow us on Instagram
2. post your interior
3. tag us to be featured



@furnitureboxUK



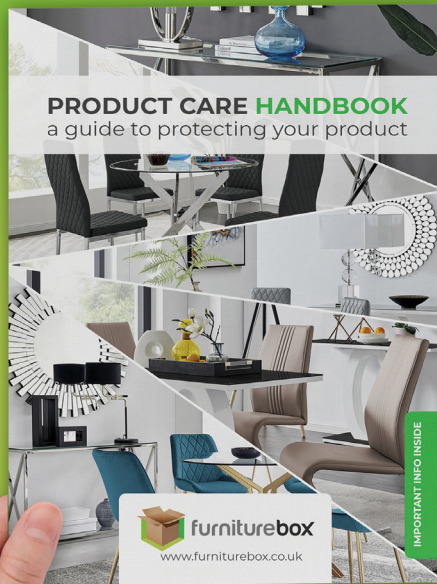
@furniturebox_uk



@furnitureboxuk

LOOKING GOOD!

Now you've assembled your product find out how to care for your item and keep it looking brand new.



Look for your care guide in the box or visit:
www.furniturebox.co.uk/club/care-guide

www.furniturebox.co.uk



OUR 1 YEAR GUARANTEE

our products come with a 1 year guarantee to give you peace of mind shopping at Furniturebox



WHAT THE GUARANTEE COVERS



PRE-INSERTED FIXINGS

e.g. lose metal threads



FAULTY JOINTS

e.g. legs bending



EXTERNAL FIXING FAULTS

e.g. metal discs removing from table top



STRUCTURAL INTEGRITY

e.g. the frame of the product



ACTIVATE YOUR GUARANTEE ONLINE

scan this QR code with your phone to read the full guarantee online and register your product. It only takes a moment to fill out. Or visit: furniturebox.co.uk/our-guarantee



Furniturebox UK, Beaumont Business Centre,
Woodlands Road, Mere, Wiltshire, BA12 6BT
Tel: 01747 863333 Email: sales@furniturebox.co.uk