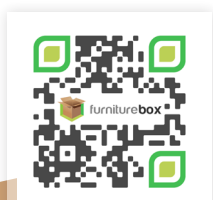
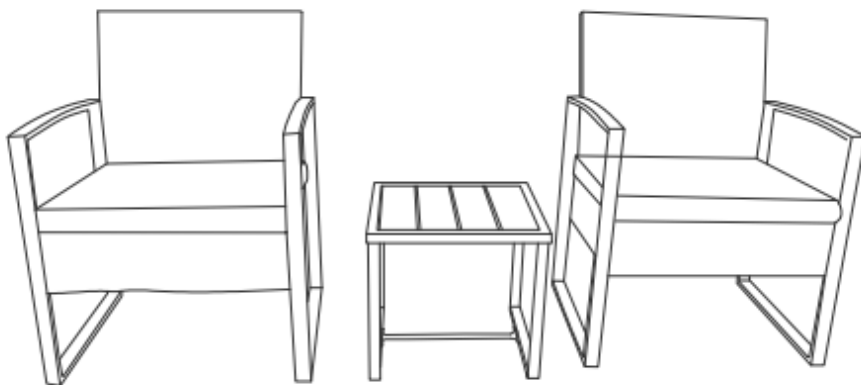




ALGARVE BISTRO

ASSEMBLY GUIDE



SCAN ME



www.furniturebox.co.uk

Scan QR code for more tips,
advice and assembly video or visit
furniturebox.co.uk/club/algarvebistro

Important - Please read these instructions fully before starting assembly



**SAFETY AND
CARE ADVICE**



NO POWER TOOLS

SAFETY AND CARE ADVICE

- Check you have all the components and tools listed.
- Remove all fittings from the plastic bags and separate them into their groups.
- We do not recommend the use of power drills/drivers for inserting screws, as this could damage the unit. Only use hand screwdrivers and Allen keys.
- Keep children and animals away from the work area, small parts could cause choking if swallowed.
- Make sure you have enough space to layout the parts before starting.
- Assemble the item as close to its final position (in the same room) as possible.
- Do not overtighten the nuts to avoid causing damage to the threads.
- Only clean using a damp cloth and mild detergent, do not use bleach or abrasive cleaners.
- From time to time check that there are no loose screws on this unit
- This product should not be discarded with household waste. Take to your local authority waste disposal centre



Follow us on Instagram
@furniturebox_uk

IMPORTANT INFORMATION



45 MINUTE
BUILD



TWO
PERSON



TABLE
MAXIMUM
CAPACITY 35Kg

PLEASE CHECK CAREFULLY AND MAKE SURE YOU HAVE ALL FITTINGS AND TOOLS LISTED BELOW BEFORE YOU START.



A. Chair Arms
4X



B. Backrest
Single Seater
2X



C. Seat
Single Seater
2X



D. Table Legs
2X



E. Table TOP
1X



F. Table Linker
1X



G. M6*40
Bolt / Washer
20X



H. M6*15
Bolt / Washer
4X



K. M6*30
Bolt / Washer
4X



I. Allen Key
1X



J. Cushion
Single Seater
2x

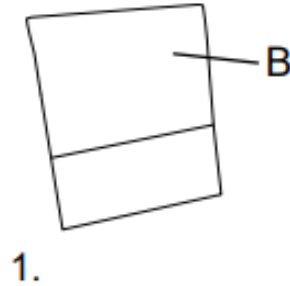
NOTE: The quantities above are the correct amount to complete the assembly. In some cases more fittings may be supplied than are required.



STEP 1

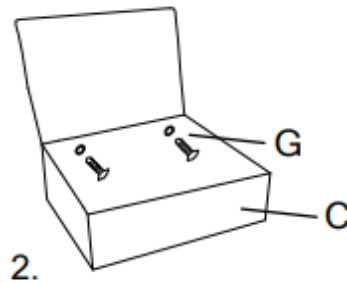
Use a clear, flat, soft surface to avoid bumps or scratches. Lay all your components and fixings out. Note: we recommend you don't fully tighten any of the bolts until everything is fully assembled.

First, assemble your 2x chairs. Find Backrest [B].



STEP 2

Attach the chair seat [C] to the backrest [B] using 2 x washer + bolt [G].

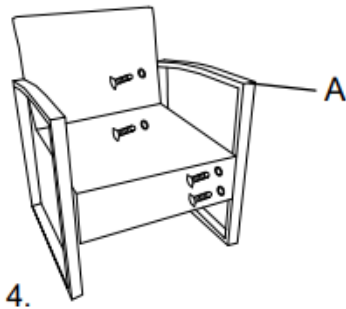


STEP 3

Attach 1x chair arm [A] to the seat [B + C] using 4x washer + bolt [G].

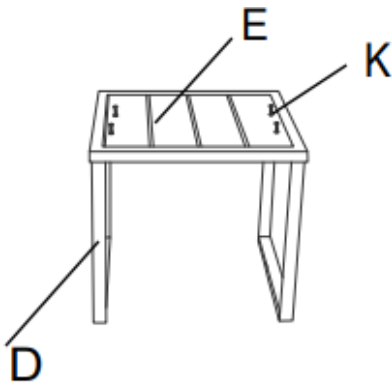


Follow us on Instagram
@furniturebox_uk



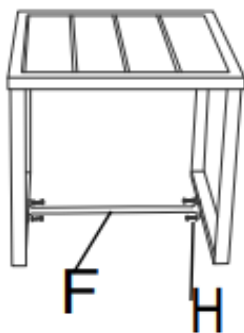
STEP 4

Attach the other chair arm [A] to the seat [B + C] using 4x washer + bolt [G]. Once fully assembled, fully tighten the bolts with Allen key [I]. Repeat steps 1 - 4 for the 2nd chair.



STEP 5

Next, assemble the bistro table. Attach tabletop [E] to 2x table legs [D] using 2x washer + bolts[K] for each leg - 4 in total.

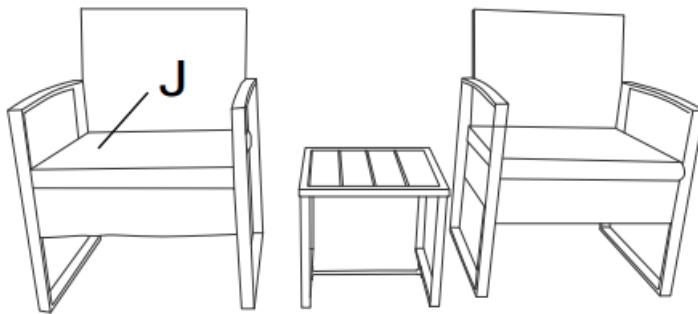


STEP 6

Attach the table linker [F] between the table legs [D] using 2x washer + bolts [H] on each end - 4 in total. Once the table is assembled, fully tighten the bolts using Allen key [I].

STEP 7

Place the seat cushions [J] onto your chairs. Check stability of all components. Your table and chairs are now ready to use!



Follow us on Instagram
@furniturebox_uk

LOOKING GOOD!

Now you've assembled your product find out how to care for your item and keep it looking brand new.



Look for your care guide in the box or visit:
www.furniturebox.co.uk/club/care-guide



OUR 1 YEAR GUARANTEE

our products come with a 1 year guarantee to give you peace of mind shopping at Furniturebox



WHAT THE GUARANTEE COVERS



PRE-INSERTED FIXINGS
e.g. lose metal threads



FAULTY JOINTS
e.g. legs bending



EXTERNAL FIXING FAULTS
e.g. metal discs removing from table top



STRUCTURAL INTEGRITY
e.g. the frame of the product



ACTIVATE YOUR GUARANTEE ONLINE

scan this QR code with your phone to read the full guarantee online and register your product. It only takes a moment to fill out. Or visit: furniturebox.co.uk/our-guarantee

Furniturebox UK, Unit 6, St Modwen's Park,
Chippenham, SN15 5BD
Tel: 01747 863333 Email: sales@furniturebox.co.uk