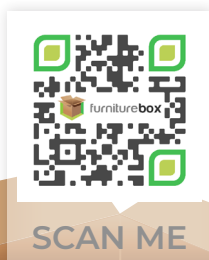
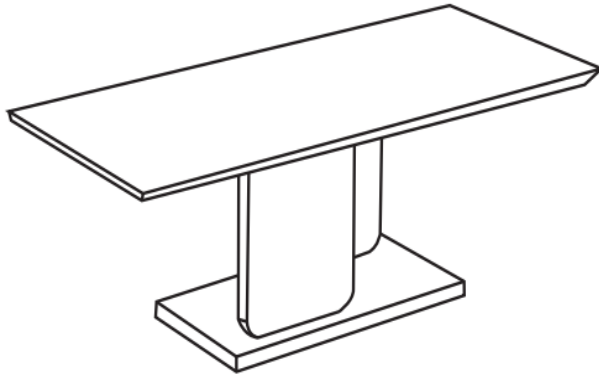


# ALBA

## ASSEMBLY GUIDE



[www.furniturebox.co.uk](http://www.furniturebox.co.uk)

Scan QR code for more tips,  
advice and assembly video or visit  
[furniturebox.co.uk/club/alba](http://furniturebox.co.uk/club/alba)



**Important - Please read these instructions fully before starting assembly**



**SAFETY AND  
CARE ADVICE**



**NO POWER TOOLS**

**SAFETY AND CARE ADVICE**

- Check you have all the components and tools listed.
- Remove all fittings from the plastic bags and separate them into their groups.
- We do not recommend the use of power drills/drivers for inserting screws, as this could damage the unit. Only use hand screwdrivers and Allen keys.
- Keep children and animals away from the work area, small parts could cause choking if swallowed.
- Make sure you have enough space to layout the parts before starting.
- Assemble the item as close to its final position (in the same room) as possible.
- Do not overtighten the nuts to avoid causing damage to the threads.
- Only clean using a damp cloth and mild detergent, do not use bleach or abrasive cleaners.
- From time to time check that there are no loose screws on this unit
- This product should not be discarded with household waste. Take to your local authority waste disposal centre



# IMPORTANT INFORMATION








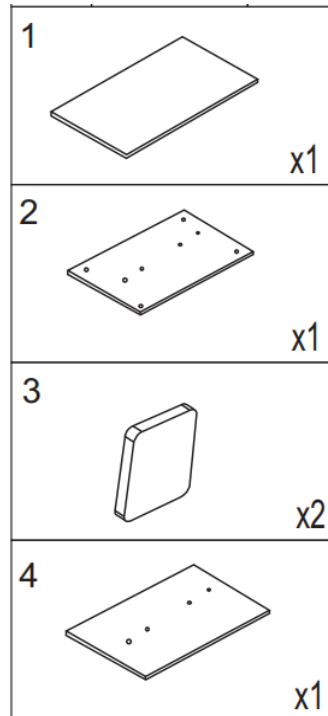
30 MINUTE  
BUILD



MAXIMUM  
CAPACITY 100Kg

PLEASE CHECK CAREFULLY AND MAKE SURE YOU HAVE ALL FITTINGS AND TOOLS LISTED BELOW BEFORE YOU START.

A	 M8*22	x12
B	 M8*40	x12
C		x1
D		x8
E		x4



**NOTE:** The quantities above are the correct amount to complete the assembly. In some cases more fittings may be supplied than are required.

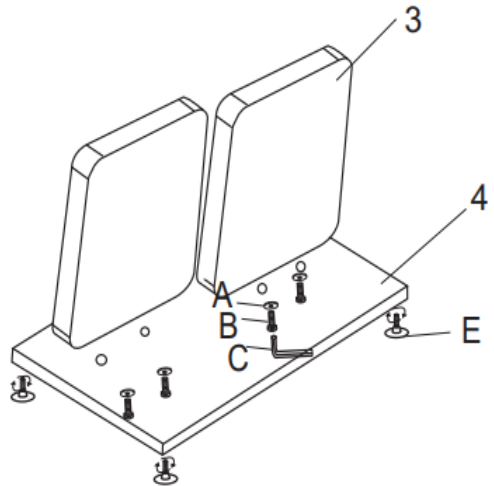


## STEP 1

Use a clean, flat, soft surface to avoid any bumps or scratches.

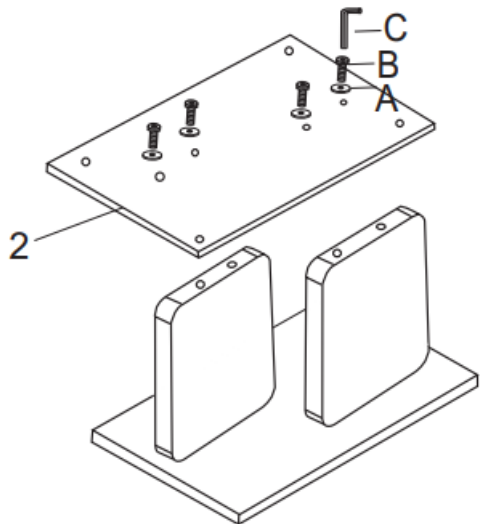
First, screw the adjustable feet [E] into the underside of base plate [4]. Ensure the feet and base plate are level before proceeding.

Next, connect the 2x legs [3] to the base plate [4] using screws [B] followed by washers [A] and tightening with Allen key [C].



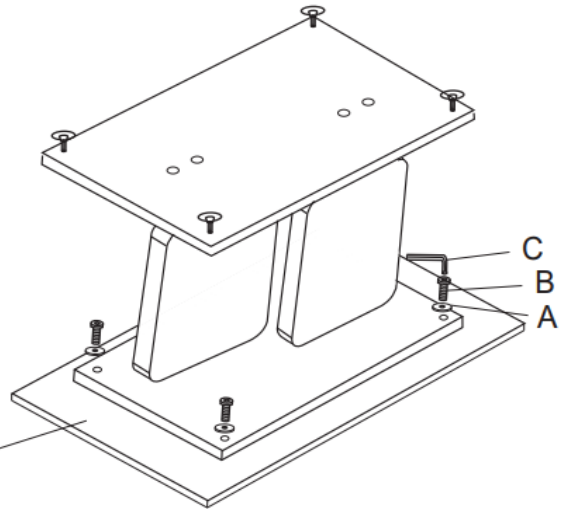
## STEP 2

Attach the top connecting plate [2] to the top of the legs, using 4 x washer [A] followed 4 x screw [B]. Tighten with Allen key [C]. Ensure everything is connected without a wobble before moving onto the next stage.



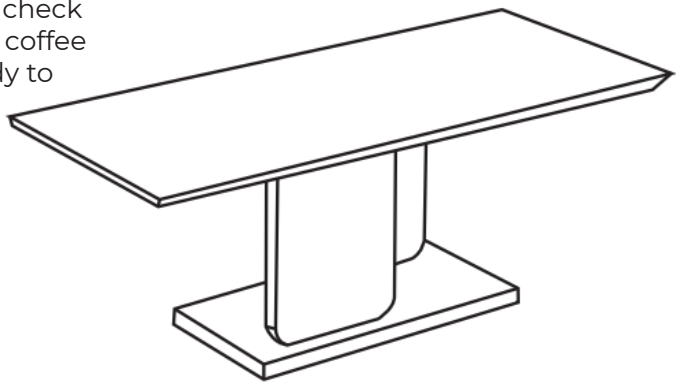
### STEP 3

Place tabletop [1] face down on the clean, flat, soft surface and very carefully, with help, flip the rest of the coffee table you have already constructed upside down so the top connecting plate [2] aligns with the holes in the underside of the tabletop [1]. Connect using 1 x washer [A] followed by 1 x screw [B] per hole and tighten firmly with Allen key [C]. Ensure the connecting plate is securely fastened to the tabletop to avoid potential wobble later on. 1



### STEP 4

Carefully and with help, flip your coffee table onto its feet and check for stability. Your coffee table is now ready to use.





furniturebox



## WE **L**♥**VE** INTERIORS! SHARE YOURS WITH US ON SOCIAL MEDIA

1. follow us on Instagram
2. post your interior
3. tag us to be featured



@furnitureboxUK



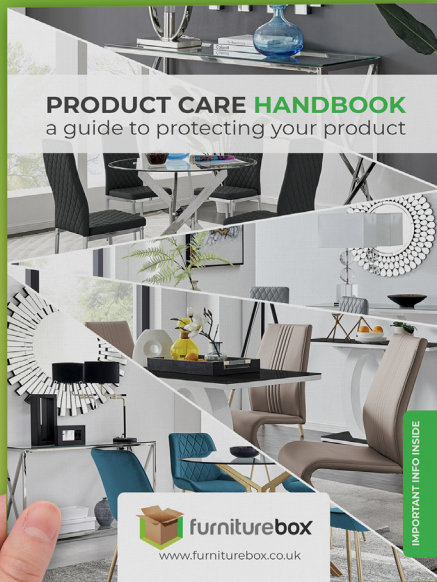
@furniturebox\_uk



@furnitureboxuk

# LOOKING GOOD!

Now you've assembled your product find out how to care for your item and keep it looking brand new.



Look for your care guide in the box or visit:  
[www.furniturebox.co.uk/club/care-guide](http://www.furniturebox.co.uk/club/care-guide)



## OUR 1 YEAR GUARANTEE

our products come with a 1 year guarantee to give you peace of mind shopping at Furniturebox



## WHAT THE GUARANTEE COVERS



### PRE-INSERTED FIXINGS

e.g. lose metal threads



### FAULTY JOINTS

e.g. legs bending



### EXTERNAL FIXING FAULTS

e.g. metal discs removing from table top



### STRUCTURAL INTEGRITY

e.g. the frame of the product



## ACTIVATE YOUR GUARANTEE ONLINE

scan this QR code with your phone to read the full guarantee online and register your product. It only takes a moment to fill out. Or visit: [furniturebox.co.uk/our-guarantee](https://furniturebox.co.uk/our-guarantee)

Furniturebox UK, Beaumont Business Centre,  
Woodlands Road, Mere, Wiltshire, BA12 6BT  
Tel: 01747 863333 Email: [sales@furniturebox.co.uk](mailto:sales@furniturebox.co.uk)