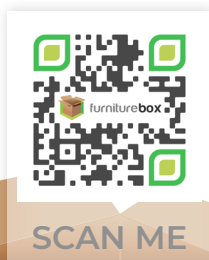


ADLEY

ASSEMBLY GUIDE



www.furniturebox.co.uk

Scan QR code for more tips,
advice and assembly video or visit
furniturebox.co.uk/club/adley



Important - Please read these instructions fully before starting assembly



**SAFETY AND
CARE ADVICE**



NO POWER TOOLS

SAFETY AND CARE ADVICE

- Check you have all the components and tools listed.
- Remove all fittings from the plastic bags and separate them into their groups.
- We do not recommend the use of power drills/drivers for inserting screws, as this could damage the unit. Only use hand screwdrivers and Allen keys.
- Keep children and animals away from the work area, small parts could cause choking if swallowed.
- Make sure you have enough space to layout the parts before starting.
- Assemble the item as close to its final position (in the same room) as possible.
- Do not overtighten the nuts to avoid causing damage to the threads.
- Only clean using a damp cloth and mild detergent, do not use bleach or abrasive cleaners.
- From time to time check that there are no loose screws on this unit
- This product should not be discarded with household waste. Take to your local authority waste disposal centre



IMPORTANT INFORMATION









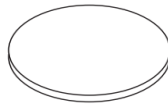



45 MINUTE
BUILD



MAXIMUM
CAPACITY 100Kg

PLEASE CHECK CAREFULLY AND MAKE SURE YOU HAVE ALL FITTINGS AND TOOLS LISTED BELOW BEFORE YOU START.

| | | |
|--|--|---|
|  M6X25 X1 |  M6X10 X20 |  M8X45 X4 |
|  Ø6x25 X25 |  X4 |  X1 |

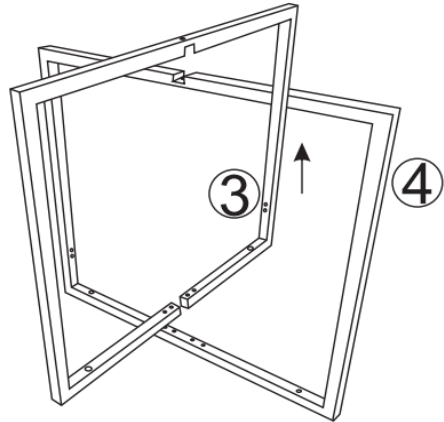
| | |
|---|---|
|  x1 |  x1 |
|  x1 |  x1 |

NOTE: The quantities above are the correct amount to complete the assembly. In some cases more fittings may be supplied than are required.



STEP 1

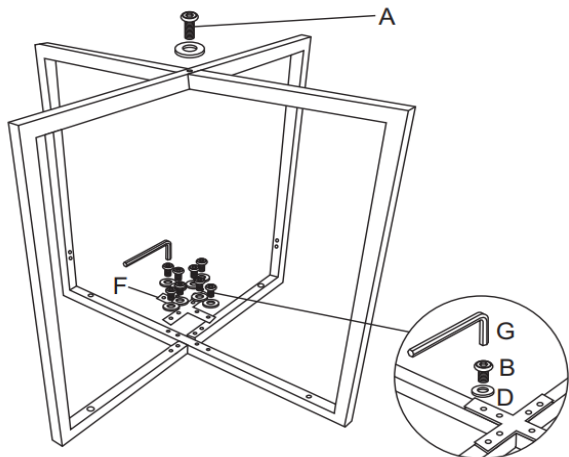
Use a clean, flat, soft surface to avoid any bumps or scratches. Cross the legs [3 and 4] as shown.



STEP 2

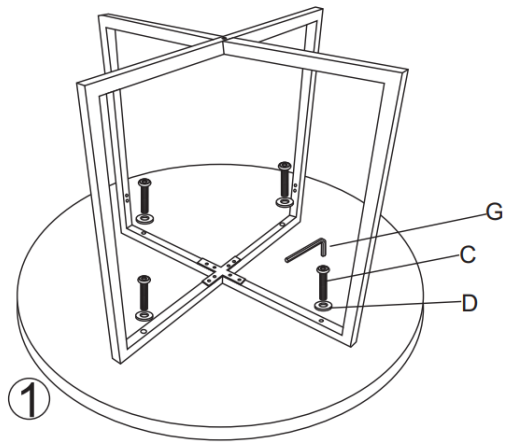
Connect the legs. Use 1 x washer [D] followed by 1 x bolt [A] for the single hole at what will be the bottom of the table.

Use the X shaped connecting plate [F] and align with holes in the table legs. Connect using 1 x washer [D] followed by 1 x screw [B] per hole and tighten fully with Allen key [G].



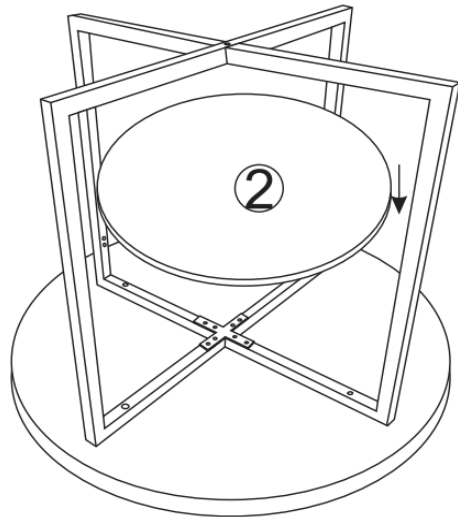
STEP 3

Carefully place the table top [1] face down on flat surface and align table legs with holes as shown. Connect using 1 x washer [D] followed by 1 x bolt [C] and tighten with Allen key [G] -ensure these are fully tightened.



STEP 4

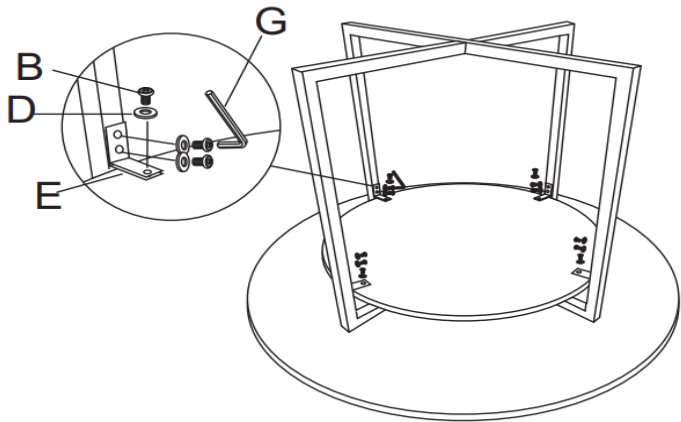
Place the shelf [2] between the table legs as shown.



STEP 5

Have 1 person hold the shelf in place. Attach the shelf to the table legs using 4 x brackets [E]. Connect each bracket using 3 x washers [D] followed by 3 x bolts [B].

Once all components are in place, go ahead and fully tighten all the screws.



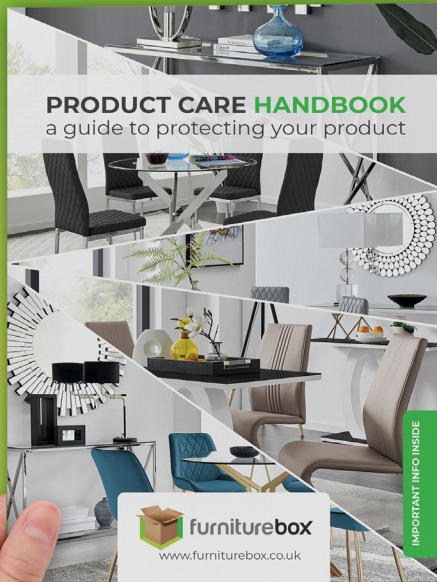
STEP 6

Carefully and with help, flip your table upright onto its legs. Check for stability. Your new table is now ready to use.



LOOKING GOOD!

Now you've assembled your product find out how to care for your item and keep it looking brand new.



Look for your care guide in the box or visit:
www.furniturebox.co.uk/club/care-guide



OUR 2 YEAR* GUARANTEE

our products come with a 2 year guarantee to give you peace of mind shopping at Furniturebox

*excludes some garden furniture items which have a 1 year guarantee



WHAT THE GUARANTEE COVERS



PRE-INSERTED FIXINGS
e.g. lose metal threads



FAULTY JOINTS
e.g. legs bending



EXTERNAL FIXING FAULTS
e.g. bonding/glue



STRUCTURAL INTEGRITY
e.g. the frame of the product



ACTIVATE YOUR GUARANTEE ONLINE

scan this QR code with your phone to read the full guarantee online and register your product. It only takes a moment to fill out. Or visit: furniturebox.co.uk/our-guarantee

Furniturebox UK, Unit 6, St Modwen's Park,
Chippenham, SN15 5BD
Tel: 01747 863333 Email: sales@furniturebox.co.uk