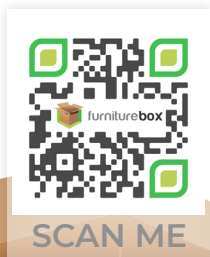
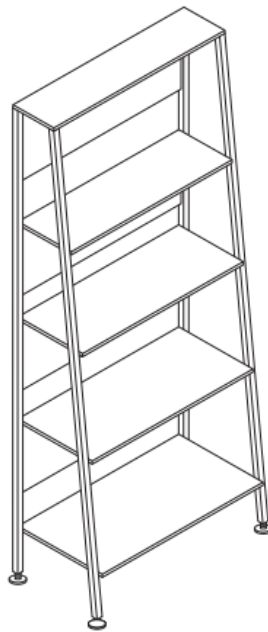




ADDISON LADDER SHELVES

ASSEMBLY GUIDE



www.furniturebox.co.uk

Scan QR code for more tips,
advice and assembly video or visit
furniturebox.co.uk/club/addison

Important - Please read these instructions fully before starting assembly



SAFETY AND CARE ADVICE



NO POWER TOOLS

SAFETY AND CARE ADVICE

- Check you have all the components and tools listed.
- Remove all fittings from the plastic bags and separate them into their groups.
- We do not recommend the use of power drills/drivers for inserting screws, as this could damage the unit. Only use hand screwdrivers and Allen keys.
- Keep children and animals away from the work area, small parts could cause choking if swallowed.
- Make sure you have enough space to layout the parts before starting.
- Assemble the item as close to its final position (in the same room) as possible.
- Do not overtighten the nuts to avoid causing damage to the threads.
- Only clean using a damp cloth and mild detergent, do not use bleach or abrasive cleaners.
- From time to time check that there are no loose screws on this unit
- This product should not be discarded with household waste. Take to your local authority waste disposal centre



Follow us on Instagram
@furniturebox_uk

IMPORTANT INFORMATION



1 HOUR
BUILD



TWO
PERSON



MAXIMUM
CAPACITY 30Kg

PLEASE CHECK CAREFULLY AND MAKE SURE YOU HAVE ALL FITTINGS AND TOOLS LISTED BELOW BEFORE YOU START.

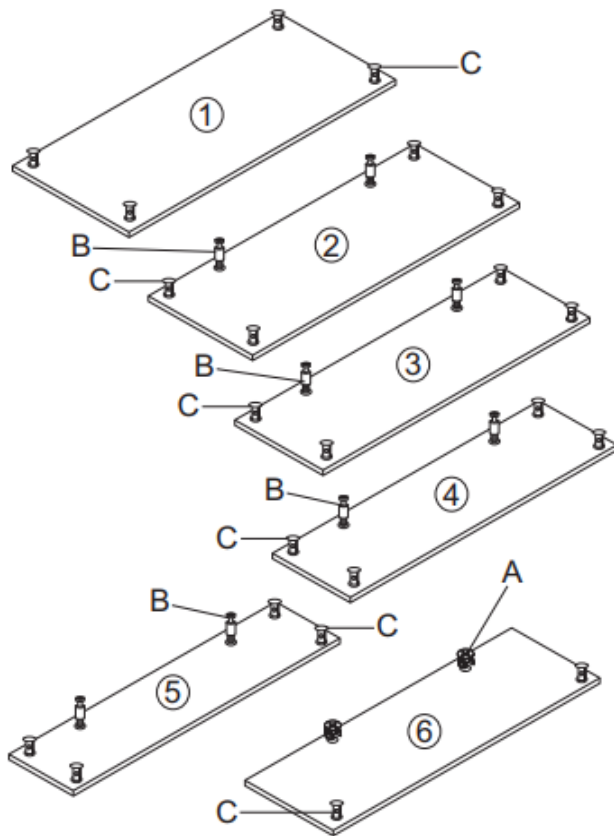
① x1		Ax8	
② x1		Bx8	
③ x1		Cx24	
④ x1		Dx28	 M6x50mm
⑤ x1		Ex28	 Ø6x18mm
⑥ x4		Fx1	 5mm
⑦ x2		Gx4	 Ø6
⑧ x2			

NOTE: The quantities above are the correct amount to complete the assembly. In some cases more fittings may be supplied than are required.

STEP 1

Use a clean, flat, soft surface to avoid any bumps or scratches.

Lay all the shelves out upside down (holes facing up) in size order.
Attach fixings as per diagram to each shelf.



Follow us on Instagram
[@furniturebox_uk](https://www.instagram.com/furniturebox_uk)

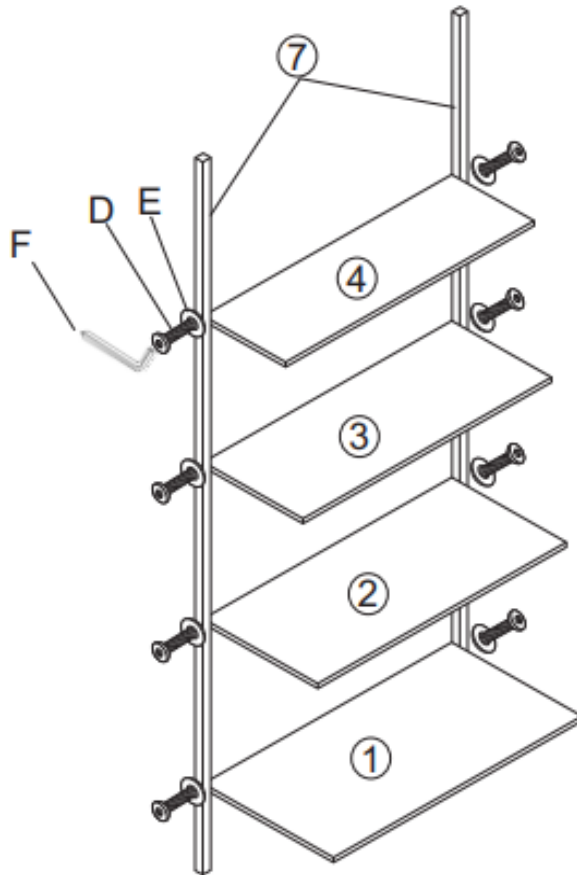
STEP 2

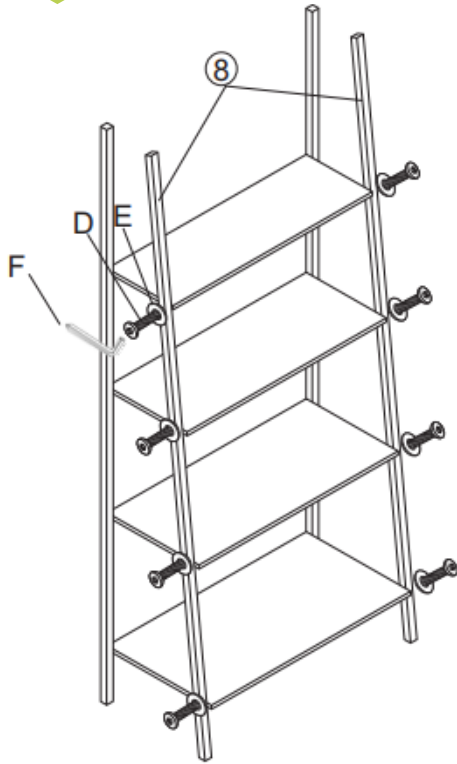
Attach shelves [1, 2, 3 and 4] to the 2x back legs [7].

Make sure the cam nuts and bolts attached in step 1 now face downwards.

Connect the legs using 1 x washer [E] followed by 1 x bolt [D] on each side of each shelf - 8 in total. Tighten with Allen key [F].

Double check you've selected the correct legs - back legs [7] have straight holes, front legs [8] have angled holes.



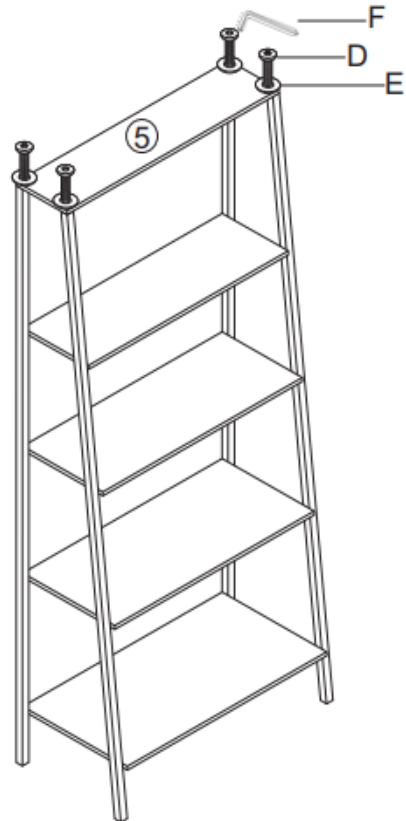


STEP 3

Attach 2x front legs [8] to the shelves using 1 x washer [E] followed by 1 x bolt [D] on each side of each shelf - 8 in total. Tighten with Allen key [F].

STEP 4

Attach the top shelf [5] to frame using 4 x washers [E] + bolts [D] and tighten with Allen key.



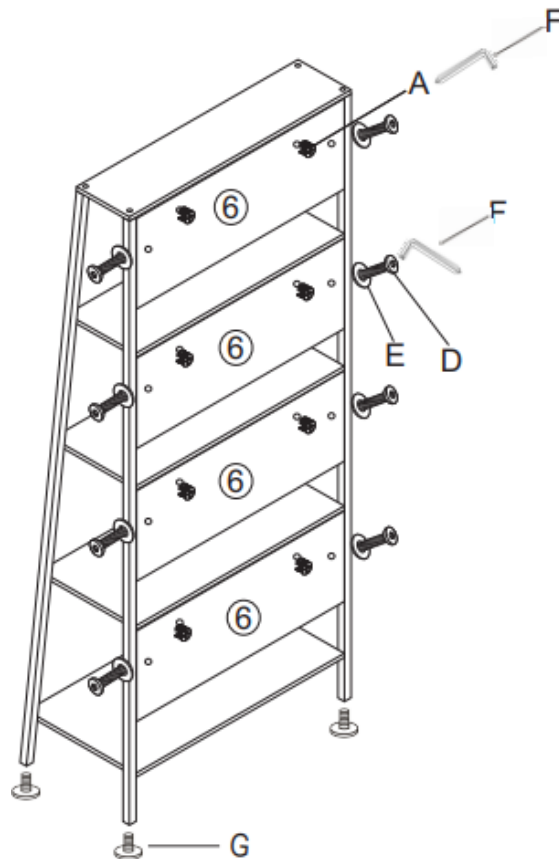
STEP 5

Carefully turn unit around and attach 4 x back panels [6]. Use 1 x washer [E] followed by 1 x bolt [D] on each side of each shelf - 8 in total. Tighten with Allen key [F].

Also insert 2 x large cam nuts [A] into each back piece and twist with Allen key [F] to secure.

Add 4 x feet [G] to the bottom of the legs.

Check stability. Your new shelves are complete. We strongly advise using the anti-tipping kit provided to secure your shelves to the wall. See overleaf.










Anti Tipping Kit Instructions

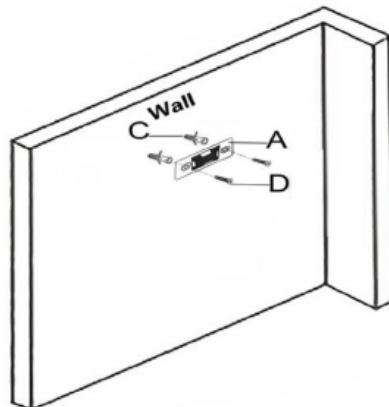
Warning: Unfixed furniture may tip over. We strongly advise you use the anti-tipping kit provided to secure your shelves to the wall. Please use appropriate fixings for your wall and get professional advice if unsure.

Fixings -

A-Gasket	B-Strap	C-Bulge tube	D-Bulge core	E-Screw
				
X4	X2	X4	X4	X4

STEP 1

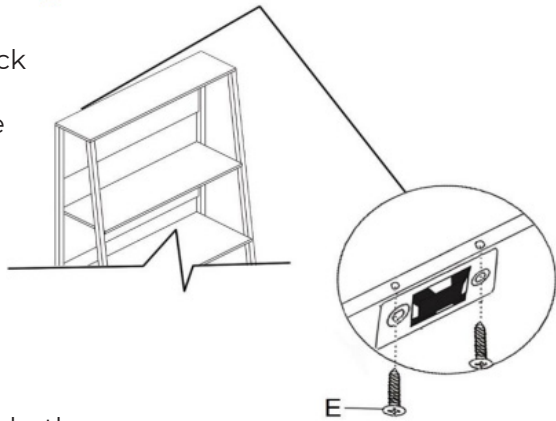
Fasten 1x fixing block [A] onto the corresponding position of the wall with the bulge tube [C] and core [D]



Follow us on Instagram
@furniturebox_uk

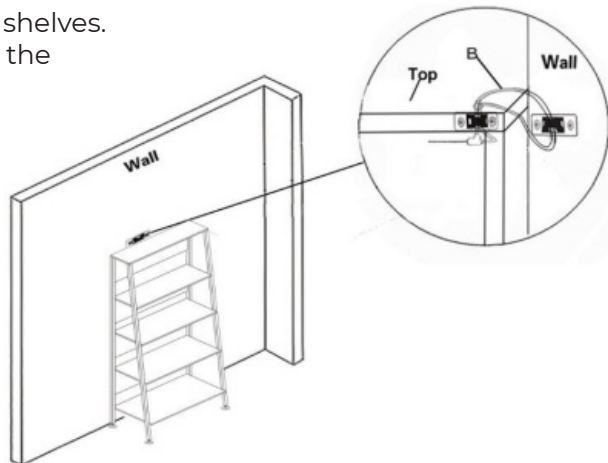
STEP 2

Fasten a second fixing block [A] at the corresponding position on the back of the shelving top plate with screws [E]



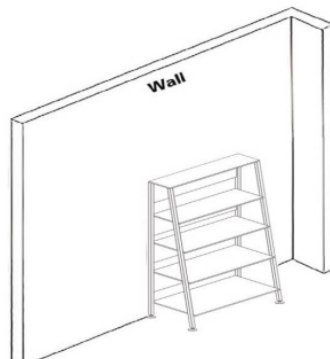
STEP 3

Loop the strap [B] through both fixing blocks [A] - on the wall and on the back of the shelves. Then lock both ends of the fixing strip [B] tight.



STEP 4

Your shelves are now secured to the wall to prevent tipping.





OUR 2 YEAR* GUARANTEE

our products come with a 2 year guarantee to give you peace of mind shopping at Furniturebox

*excludes some garden furniture items which have a 1 year guarantee



WHAT THE GUARANTEE COVERS



PRE-INSERTED FIXINGS
e.g. lose metal threads



FAULTY JOINTS
e.g. legs bending



EXTERNAL FIXING FAULTS
e.g. bonding/glue



STRUCTURAL INTEGRITY
e.g. the frame of the product



ACTIVATE YOUR GUARANTEE ONLINE

scan this QR code with your phone to read the full guarantee online and register your product. It only takes a moment to fill out. Or visit: furniturebox.co.uk/our-guarantee



Furniturebox UK, Unit 6, St Modwen's Park,
Chippenham, SN15 5BD
Tel: 01747 863333 Email: sales@furniturebox.co.uk