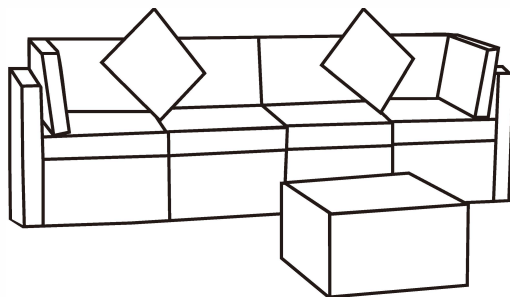


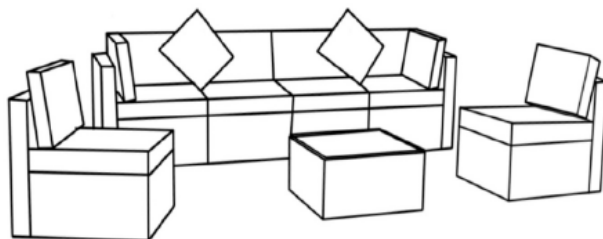


furniturebox

# ORLANDO SOFA ASSEMBLY GUIDE



applicable for  
4 and 6 seat versions



## WATCH OUR ASSEMBLY VIDEO

scan this QR code with your phone  
or enter this URL into your browser:  
[furniturebox.co.uk/club/orlando-sofa](http://furniturebox.co.uk/club/orlando-sofa)

[www.furniturebox.co.uk](http://www.furniturebox.co.uk)





**Important - Please read these instructions fully before starting assembly**



safety and  
care advice



Check you have all the components and tools listed.

Remove all fittings from the plastic bags and separate them into their groups.

We do not recommend the use of power drills/ drivers for inserting screws, as this could damage the unit. Only use hand screwdrivers and Allen keys.

Keep children and animals away from the work area, small parts could cause choking if swallowed.

Make sure you have enough space to layout the parts before starting.

Assemble the item as close to its final position (in the same room) as possible.

Do not overtighten the nuts to avoid causing damage to the threads.



follow us on Instagram  
@furniturebox\_uk

[www.furniturebox.co.uk](http://www.furniturebox.co.uk)



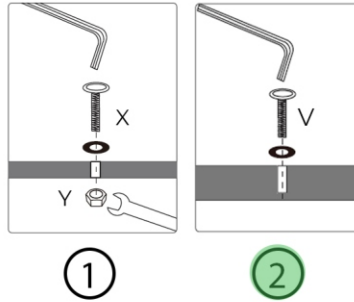


## INVENTORY

### JOINT TYPES

all type 1 joints will need an X type screw and washer and must be secured with Y nut.

all type 2 joints will need a V type screw and washer only.



### FURNITURE PIECES

to build the **corner sofa units** you will have:

A <sub>1</sub>	2pcs
A <sub>2</sub>	2pcs
A <sub>3</sub>	1pc
A <sub>4</sub>	1pc
E	8pcs

### HARDWARE PIECES

to build the **corner sofa units** you will have:

34pcs X M6*45	34pcs Y M6
1pc W	1pc Z

to build a set of **2 armless chair units** you will have:

B <sub>1</sub>	2pcs
B <sub>2</sub>	1pc
B <sub>3</sub>	1pc
D	2pc
E	4pcs
F	4pcs

to build a set of **2 armless chair units** you will have:

4pcs V M6*28	28pcs X M6*45	28pcs Y M6
1pc W	1pc Z	

to build **1 coffee table** you will have:

C <sub>1</sub>	1pc
C <sub>2</sub>	2pcs
C <sub>3</sub>	1pc
D	2pcs
E	4pcs

to build **1 coffee table** you will have:

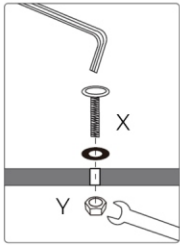
12pcs V M6*28	8pcs X M6*45	8pcs Y M6
1pc W	1pc Z	



follow us on Instagram  
@furniturebox\_uk

www.furniturebox.co.uk





1

### JOINT TYPES

all type 1 joints will need an X type screw and washer and must be secured with Y nut

### FURNITURE PIECES

quantities are for 2 corner units

A <sub>1</sub>	2pcs
A <sub>2</sub>	2pcs
A <sub>3</sub>	1pc
A <sub>4</sub>	1pc
E	8pcs

### HARDWARE PIECES

quantities are for 2 corner units

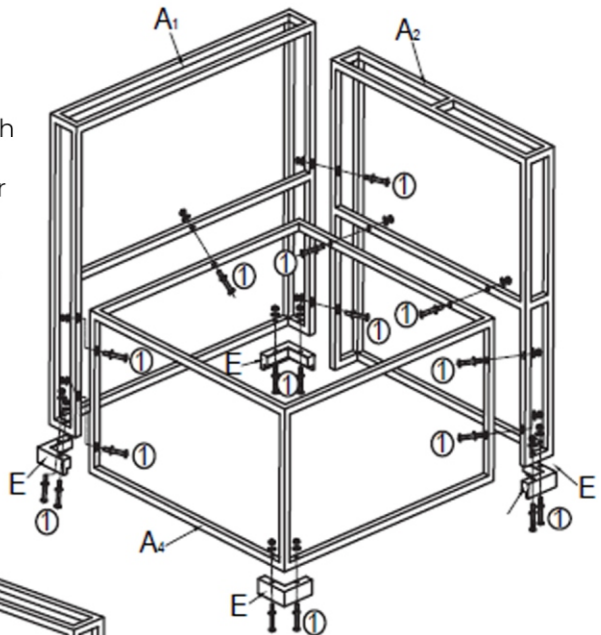
34pcs	X	34pcs	Y
	M6*45		M6
1pc	W	1pc	Z

### CORNER SOFA UNITS

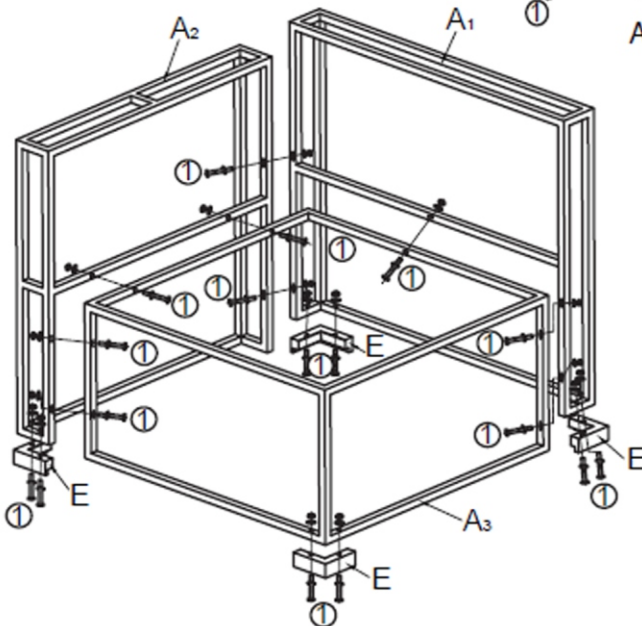
A1 and A2 are the vertical pieces which form the walls. A4 is seat base for the right hand sofa. A3 is the seat base for the left hand sofa

You will need 4 feet (piece E) for each corner sofa unit

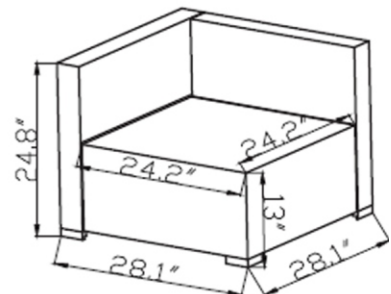
### RIGHT HAND SOFA



### LEFT HAND SOFA



### MEASUREMENTS WHEN BUILT

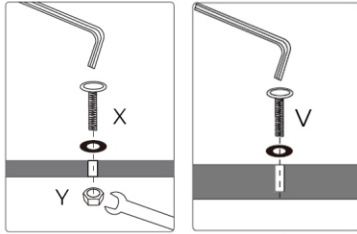




### JOINT TYPES

all type 1 joints will need an X type screw and washer and must be secured with Y nut.

all type 2 joints will need a V type screw and washer only.



1

2

### FURNITURE PIECES

quantities are for 2 armless chair units

B <sub>1</sub>	2pcs
B <sub>2</sub>	1pc
B <sub>3</sub>	1pc
D	2pc
E	4pcs
F	4pcs

### HARDWARE PIECES

quantities are for 2 armless chair units

4pcs M6*28 V	28pcs M6*45 X	28pcs M6 Y
1pc W	1pc Z	

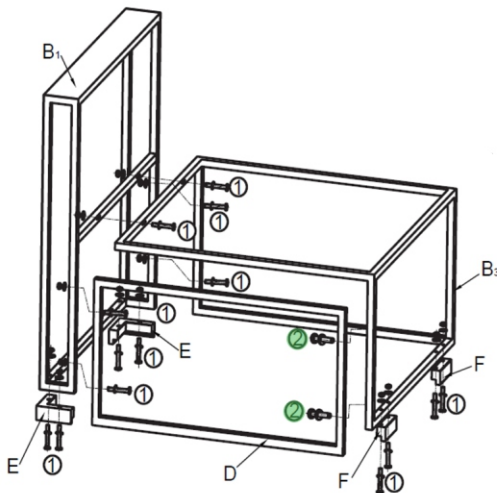
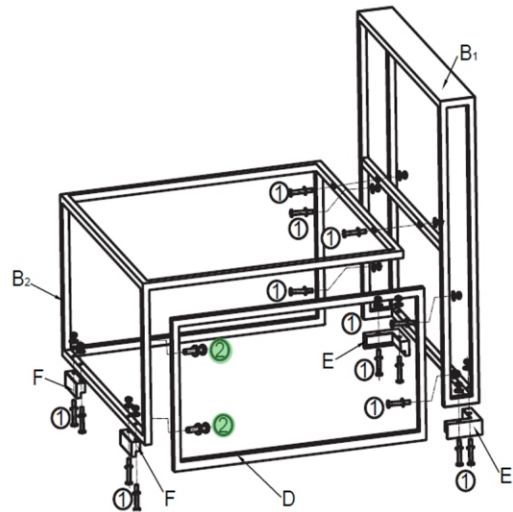
### ARMLESS SOFA UNITS

B<sub>1</sub> is the vertical unit which is the back of the chair.

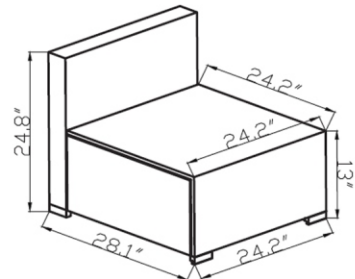
B<sub>3</sub> is the top and front of the seat and D is the two side panels.

E is the rear feet and F is the front facing feet.

Please note the two different joint types (1 and 2) require different screws.



### MEASUREMENTS WHEN BUILT

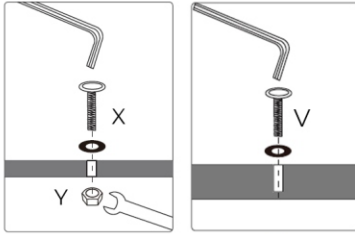




### JOINT TYPES

all type 1 joints will need an X type screw and washer and must be secured with Y nut.

all type 2 joints will need a V type screw and washer only.



①

②

### FURNITURE PIECES

quantities are for 1 coffee table

C1	1pc
C2	2pcs
C3	1pc
D	2pcs
E	4pcs

### HARDWARE PIECES

quantities are for 1 coffee table

12pcs  M6*28	8pcs  M6*45	8pcs  M6
1pc 	1pc 	

### COFFEE TABLE

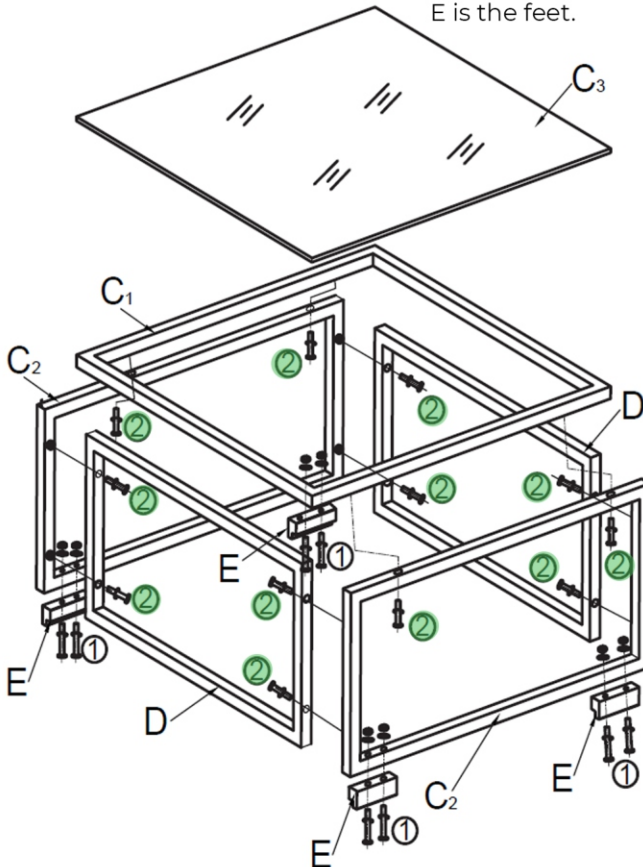
D is the shorter side panels - please ensure these are fitted adjacent to each other.

C2 is the longer side panels - please ensure these are fitted adjacent to each other.

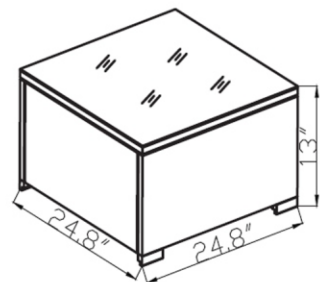
C1 is the top piece which holds the glass.

C3 is the piece of glass for the top.

E is the feet.



### MEASUREMENTS WHEN BUILT





## OUR 1 YEAR GUARANTEE

our products come with a 1 year guarantee to give you peace of mind shopping at Furniturebox



## WHAT THE GUARANTEE COVERS



**PRE-INSERTED FIXINGS**  
e.g. lose metal threads



**FAULTY JOINTS**  
e.g. legs bending



**EXTERNAL FIXING FAULTS**  
e.g. metal discs removing from table top



**STRUCTURAL INTEGRITY**  
e.g. the frame of the product



### ACTIVATE YOUR GUARANTEE ONLINE

scan this QR code with your phone to read the full guarantee online and register your product. It only takes a moment to fill out. Or visit: [furniturebox.co.uk/our-guarantee](https://furniturebox.co.uk/our-guarantee)

Furniturebox UK, Unit 6, St Modwen's Park,  
Chippenham, SN15 5BD  
Tel: 01747 863333 Email: [sales@furniturebox.co.uk](mailto:sales@furniturebox.co.uk)